



MASERATI

GRANTURISMO SPORT

2015 Owner's Manual



Dear Customer,

Thank you for choosing a **MASERATI**.

This vehicle represents the result of MASERATI's great experience in the design and production of sports cars for both touring and racing.

The purpose of this manual is to provide you with an understanding of the equipment, systems and controls in the vehicle and to explain how they work.

In the final section of this manual you will also find instructions for basic maintenance procedures, which are needed to help ensure steady levels of performance, quality and safety.

In addition, keep in mind that proper maintenance is an essential factor to help preserve the value of the vehicle over time and for respecting the environment.

For Maintenance Schedule services or any other operation, please contact your **Authorized Maserati Dealer** who is constantly updated and provided with the equipment required to help ensure that all service operations are performed properly and reliably.

For improved safety, we recommend that you to read this manual carefully before driving the vehicle.

The Owner's Manual is an integral part of the vehicle and it must therefore always be kept on board.





Historical info

1914

The Alfieri Maserati garage is founded in Bologna.

1926

Targa Florio, Type 26: debut and victory of a vehicle showing the Trident symbol on the hood, inspired by the statue of Neptune in Bologna.

1927

Emilio Maserati becomes the outright Italian champion with the Type 26.

1929

Baconin Borzacchini in the Type V4: World landspeed record over 6 mi (10 km) at 153 mph (246 km/h).

1930

Borzacchini in the Type V4: first Grand Prix victory in Tripoli.

1933

Maserati, the most prestigious European manufacturer, introduces the hydraulic brake system in its racing vehicles. Giuseppe Campari in a Type 8CM wins the French Grand Prix and Tazio Nuvolari those in Belgium and Nice.

1934

Giuseppe Furmanik in a Type 4CM: World landspeed record in the class 1100 at 138 mph (222 km/h).

1939

Wilbur Shaw wins the Indianapolis 500 Mile-race on the 8CTF Maserati is to remain the first Italian manufacturer to win on the legendary Indy motor speedway.

1940

The company moves headquarters to Modena.

1947

The first Granturismo is built: the A6 1500 with bodywork by Pininfarina. The A6GCS racing version debuts victoriously with Alberto Ascari on the Modena circuit.

1954

The 250F, the single-seater which will allow the Maserati to win the Formula 1 World Championships, makes its first appearance winning in Argentina.

1957

Fangio in the 250F wins the world title. At the end of the season, Maserati officially withdraws from racing.

1961

The 3500 GT is the first Italian vehicle to use a fuel injection system.

1963

Production begins of the Mistral and the Quattroporte, the fastest sedan car in the world.

1966

The Ghibli is presented, a Coupé designed by Giugiaro.

1968

The Citrôen becomes a partner in the company and the V6 engine goes into production. The 2+2 Indy is presented.

1971

The Bora is presented, the first Maserati Granturismo with a central engine. This will be followed a year later by the Merak.

1973

The Khamsin, designed by Bertone, replaces the Ghibli.

1975

Citrôen leaves the company, which is then bought out by Alejandro De Tomaso.

**1976**

The new Quattroporte, designed by Giugiaro, is presented and will then be used as the official car of the President of the Italian Republic.

1981

De Tomaso changes marketing strategy and starts production of the Biturbo, a two-door sedan with a six-cylinder engine.

1989

The Shamal is the first vehicle equipped with the new biturbo eight-cylinder engine.

1993

Fiat Auto buys out the entire Maserati share package and in 1998 presents the Quattroporte.

1997

Ferrari acquires the majority of Maserati shareholding.

1998

Quattroporte Evoluzione V8 3.2 - V6 2.8.
3200 GT V8.

1999

3200 GT V8 Automatica.

2000

Alfieri Maserati Garage Customization Program.

2001

Production begins of the Spider with eight-cylinder 4200 engine and the electro-hydraulic paddle-shifted gearbox "CAMBIO CORSA".
Alfieri Maserati garages.

2002

The 2+2 Coupe is presented.

2003

A return to racing with the TROFEO.
The new Quattroporte, designed by Pininfarina, is presented and will then be used as the official car of the President of the Italian Republic.

2004

The MC12 with 630 HP 12-cylinder engine is born.

2005

Maserati wins the FIA GT championship with the MC12.

2006

The Quattroporte with automatic gearbox is presented.

2007

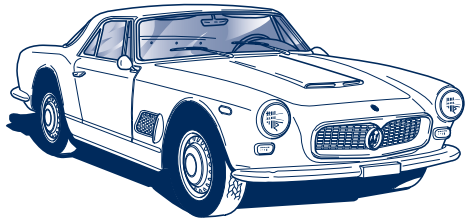
The Granturismo, Coupè 2+2 world debut.

2009

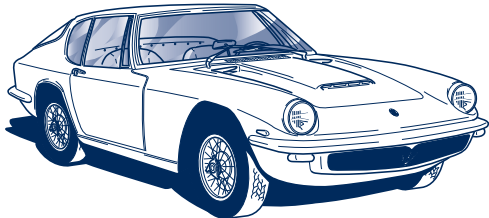
The Convertible Granturismo, a 2+2 spider, comes into production.

2010

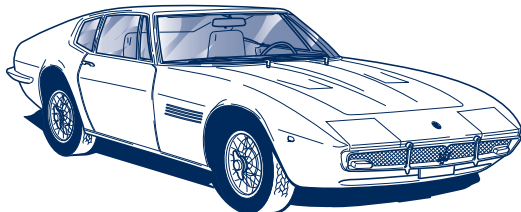
Production starts on the MC Stradale.



3500 GT



Mistral coupé



Ghibli coupé



Introduction

Consulting the manual

To facilitate reading and fast consultation, the topics have been divided into sections and chapters. The important parts requiring particular attention are easily identifiable in the chapters.



N.B.: EXTREME CAUTION REQUIRED: failure to comply with the instructions could cause hazardous situations involving personal and vehicle safety!

WARNING: Warning aimed at preventing any damage to the vehicle and thus hazards involving the safety of persons.



California Proposition 65 Warning

THIS MOTOR VEHICLE CONTAINS CHEMICALS KNOWN TO THE STATE OF CALIFORNIA TO CAUSE CANCER, BIRTH DEFECTS OR OTHER REPRODUCTIVE HARM

Engine exhaust, some of its constituents, certain vehicle components, paints, and materials contain or emit chemicals known to the State of California to cause cancer, and birth defects or other reproductive harm. Such components include the car battery, and the small battery in the remote entry and ignition key. In addition, certain fluids contained in vehicles and certain products of component wear contain or emit chemicals known to the State of California to cause cancer and birth defects or other reproductive harm.

Abbreviations

Some descriptions and terms with particular meanings are found in this manual in an abbreviated form:

- A/C** - AIR CONDITIONING SYSTEM
- ABS** - ANTI-LOCK BRAKING SYSTEM
 - Wheel locking prevention system during braking
- ALC** - ADAPTIVE LIGHT CONTROL
 - Automatic headlight aiming system
- ASR** - ANTI-SLIP REGULATION
 - Prevention of slipping during acceleration
- BOS** - BRAKE OVERRIDE SYSTEM
 - This system is designed to cancel the effect produced by the accelerator if this is pressed together with the brake pedal
- CAN** - CONTROLLER AREA NETWORK
- DRL** - DAYTIME RUNNING LIGHT - Daytime running light
- EBD** - ELECTRONIC BRAKE-FORCE DISTRIBUTION
 - Electronically-controlled brake force distributor
- ECU** - ELECTRONIC CONTROL UNIT
- EDR** - EVENT DATA RECORDER
- EPB** - ELECTRIC PARKING BRAKE - Automatic parking brake



- ESC** - ELECTRONIC STABILITY CONTROL
- ETD** - EMERGENCY TENSIONING DEVICE – Seat belt pretensioner system
- FTP** - FLASH TO PASS – Headlight flashing
- HBA** - HYDRAULIC BRAKE ASSISTANCE – Assistance system during emergency braking
- TPMS** - TIRE PRESSURE MONITORING SYSTEM.

Updating

The vehicle high quality level is subject to constant improvements. Therefore, there may be differences between this manual and your vehicle.

All specifications and illustrations contained in this manual refer to those resulting as of the printing date.

NOTE: *The updated version of the on-board documentation can also be consulted by accessing the section "SERVICES" on the website www.maserati.com or by using the specific apps developed for the more common Tablet and Smartphone.*

Service

The information contained in this manual is limited to those instructions and indications that are strictly required for the use and proper maintenance of the vehicle.

The Owner will certainly obtain greater satisfaction and the best results from the vehicle by following these instructions carefully.

We also advise you to have all the maintenance services and inspections carried out by your **Authorized Maserati Dealer**, where you will find specialized staff using suitable equipment.

Your **Authorized Maserati Dealer** is at your complete disposal for any information and suggestions.

NOTE: *Please visit the website www.maserati.com to find the nearest centre of the **Authorized Maserati Dealer**.*

Automatic Gearbox

Electronically controlled, automatic gearbox which, in addition to the standard functions of an automatic gearbox, allows the user to manually engage gears in sequence, after selecting the specific mode.

For correct use of the gearbox system, carefully follow the instructions given in the specific chapter of this manual.

NHTSA's Toll-free Hotline

Auto Safety Hotline

If you believe that your vehicle has a defect which could cause a crash, injury or death, you may immediately inform the National Highway Traffic Safety Administration (NHTSA) in addition to notifying Maserati S.p.A. or Maserati North America, Inc.

If NHTSA receives similar complaints, it may open an investigation, and if it finds that a safety defect exists in a group of vehicles, it may order a recall and remedy campaign. However, NHTSA cannot become involved in individual problems between you, your Dealer, or Maserati North America, Inc.

To contact NHTSA, you may call the Vehicle Safety Hotline toll-free at 1-888-327-4236 (TTY: 1-800-424-9153), go to <http://www.safercar.gov>; or write to: Administrator, NHTSA, 1200 New Jersey Avenue, SE, Washington, D.C. 20590. You can also obtain other information about motor vehicle safety from <http://www.safercar.gov>.



Multi Media System

The vehicle is equipped with the infotelmatics Maserati Multi Media System which provides the following standard features:

- on-board computer;
- satellite navigation system (where digital maps are available);
- Bose® Sound System;
- single CD/MP3 reader;
- Hard disk capacity of 30 Gb in total, of which around 10 Gb are taken up by the operating software and by the other functionalities;
- Bluetooth (*);
- AUX socket (*);
- USB Socket (*).

(*). These accessories may vary depending on the model and on their availability on the market.

Towing with the vehicle

The vehicle has not been designed, developed and homologated to be used as a towing vehicle for other means (e.g., trailers, caravans, etc.) and nothing can be loaded on the roof; fitting structures such as bars or roof-racks may damage the vehicle.

Maserati Roadside Assistance Program

-Available for USA and Canada only-

Welcome to Maserati and the benefits and security of the Maserati Roadside Assistance Program. Please take a moment to review the benefits listed below and available to you through the Maserati Roadside Assistance Program.

Emergency roadside services

in the event you require Roadside Assistance, please call 1-888-371-1802, 24 hours a day, 365 days a year. You will be connected with a Roadside Assistance representative who will dispatch a local towing vendor.

Information needed for when you call

when you call, please be prepared to provide the following information:

- Your Name
- Vehicle Identification Number (VIN)
- Location of your vehicle
- Nature of your call (for example; you require a tow, vehicle will not start, out of gas, tire service, etc.)

Summary of program benefits and services

- **Towing of a disabled registered Maserati vehicle.** In the event a registered vehicle becomes disabled in connection to a warranty related concern it will be transported to the nearest **Authorized Maserati Dealership**. You may request that the vehicle be taken to a different **Authorized Maserati Dealer**, as long as it is no more than 50 miles further away from the nearest authorized dealer (one tow per disablement).
- **Battery jump start**
- **Flat tire change** providing the vehicle is equipped with a spare tire
- **Fuel delivery** (up to 2 gallons)
- **Lockout Services**
- **Rental Car allowance:** in the event your vehicle is disabled due to a warranty related concern, we will reimburse you up to \$50 per day. A five (5) day or \$250 maximum applies. In order to receive reimbursement, you must supply the following information within 20 days of the rental car transaction to the address listed below; the original pre-printed rental car receipt, which must include



your name, address, telephone number, VIN, rental dates and the corresponding warranty repair order.

Maserati Roadside Assistance

ATTN: Maserati Rental Car Claims Dept.

P.O. Box 8140

Ft. Washington, PA 19034

Note: *An authorized licensed driver must be driving at the time of the disablement.*

Items excluded from coverage:

- Parts, labor, tire repair, rental of towing equipment, storage fees, or any labor performed at the service facility.
- Any form of impound towing, or towing by someone other than a licensed service station or garage.
- Assistance from a private citizen.

NOTE: *Membership is intended to cover emergencies and is not intended to be a substitute for proper vehicle maintenance or repair. Repeated calls which are considered by Maserati North America, Inc. Signature Motor Club, Inc. or Signature Motor Club of California, Inc. to be excessive may, at our discretion, result in cancellation of*

the membership.

Emergency road service providers are independent contractors and are not employees, agents or representatives of Maserati North America, Inc. Signature Motor Club, Inc. or Signature Motor Club of California, Inc..

Under this agreement

- You will not be required to pay any sum for services up to the mileage limit on towing.
- Your registered Maserati vehicle is the vehicle covered. The Vehicle Identification Number (VIN) that appears on the vehicle represents your identification number with Signature Motor Club, Inc. or Signature Motor Club of California, Inc.
- **NEW VEHICLES:** Your membership begins on the date the Registered Vehicle was originally sold (in service date) and continues until the expiration date of the New Car Limited Warranty or unless terminated by Maserati North America, Inc. for cause.
- **PRE OWNED VEHICLES:** Your membership begins on the date the registered vehicle was sold (in

service date) and continues until the expiration date of the Maserati Certified Pre-Owned Limited Warranty or unless terminated by Maserati North America, Inc for cause.

Address inquiries to:

General Inquiries:

Maserati Roadside Assistance

P.O. Box 968008

Schaumburg, IL 60173

Rental Car Reimbursements:

Within 20 days of your rental car transaction, the original pre-printed rental car receipt, which must include your name, address, telephone number, VIN, rental dates and the corresponding warranty repair order should be submitted to:

Maserati Roadside Assistance

ATTN: Maserati Rental Car Claims Dept.

P.O. Box 8140

Ft. Washington, PA 19034

Symbols

There are specific colored labels on or near some of the components on your **MASERATI**. The related symbols are important warnings that the user must follow when using the component involved.


All of the symbols included in the labeling on your **MASERATI** are briefly listed here below, along with the component involved with that symbol.


In addition, the meaning of the symbol shown is also indicated in terms of the following sub-division: danger, prohibited, warning, mandatory - with respect to that same symbol.

Danger symbols


 **Battery**
Corrosive liquid.


 **Battery**
Explosion.


 **Fan**
It can start up automatically even with the engine off.

 **Expansion tank**
Do not remove the cap when the coolant is hot.

 **Coil**
High voltage.


 **Belts and pulleys**
Moving devices Keep body parts and clothing away.


 **Air-conditioning lines**
Do not open. Gas under high pressure.


 **California Proposition 65
Warning**


**THIS MOTOR VEHICLE CONTAINS
CHEMICALS KNOWN TO THE
STATE OF CALIFORNIA TO CAUSE
CANCER, BIRTH DEFECTS OR OTHER
REPRODUCTIVE HARM (see page 7)**


Warning symbols

 **Battery**
Do not approach with open flames.

 **Battery**
Keep children at a safe distance.

 **Heat guards - belts - pulleys - fans**
Do not rest your hands on it.

 **Engine compartment ECU protection cover**
Do not direct the jet of water on the ECUs, relays and fuses.

 **California Proposition 65
Warning**

**THIS MOTOR VEHICLE CONTAINS
CHEMICALS KNOWN TO THE
STATE OF CALIFORNIA TO CAUSE
CANCER, BIRTH DEFECTS OR OTHER
REPRODUCTIVE HARM (see page 7)**



Warning symbols



Catalytic converter

Do not park the vehicle over flammable materials. Refer to chapter: "Emission control devices".



Hydraulic steering

Do not exceed the maximum level of fluid in the tank. Only use fluid of the type prescribed in the section "Capacities and technical specifications".



Braking system

Do not exceed the maximum level of fluid in the tank. Only use fluid of the type prescribed in the section "Capacities and technical specifications".



Windshield solvent/washer

Only use fluid of the type prescribed in the section "Capacities and technical specifications".



Engine

Only use the lubricant recommended in the section "Capacities and technical specifications".



Vehicle using lead-free gasoline

Only "Premium gasoline" with an AKI (Anti Knock Index) rating not lower than 91 (approximately 96 R.O.N.) must be used.



Expansion tank

Only use fluid of the type prescribed in the section "Capacities and technical specifications".

Symbols indicating mandatory measures



Battery

Protect your eyes.



Battery - Jack

Refer to the Owner's Manual.



**California Proposition 65
Warning**

**THIS MOTOR VEHICLE CONTAINS
CHEMICALS KNOWN TO THE
STATE OF CALIFORNIA TO CAUSE
CANCER, BIRTH DEFECTS OR OTHER
REPRODUCTIVE HARM (see page 7)**

Contents



Vehicle identification data

1

Active and passive safety

2

Instruments and controls

3

Before you drive

4

Using the vehicle

5

In an emergency

6

Capacities and technical specifications

7

Maintenance

8

Table of contents

9





Vehicle identification data

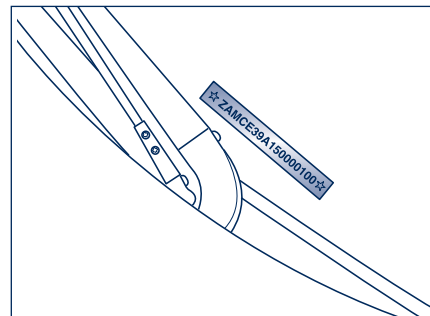
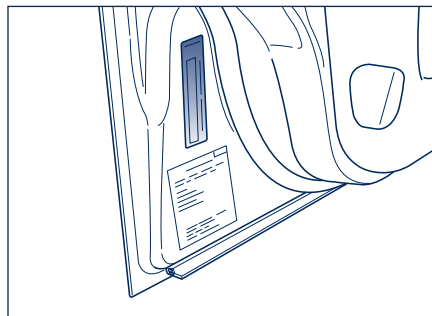
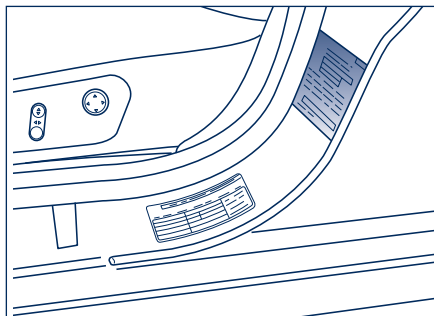
Identification plates	16
Homologation labels	17
Instruction labels	19
Key codes	21

Homologation labels

- Safety standard label;
- V.I.N. label;
- Chassis type and number;



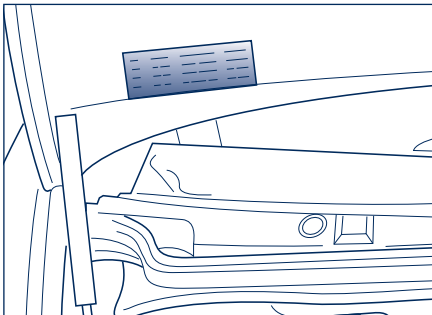
1





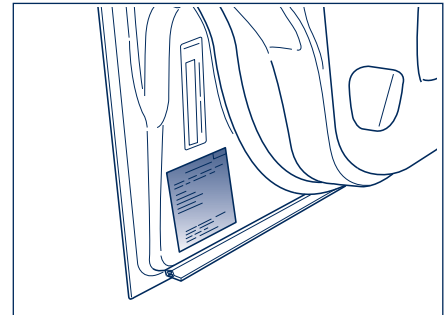
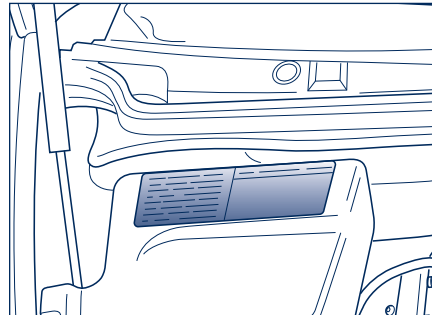
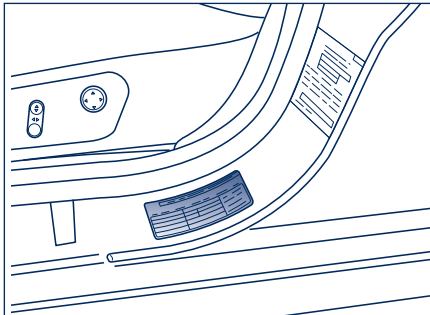
- Emission control data label.

1



Instruction labels

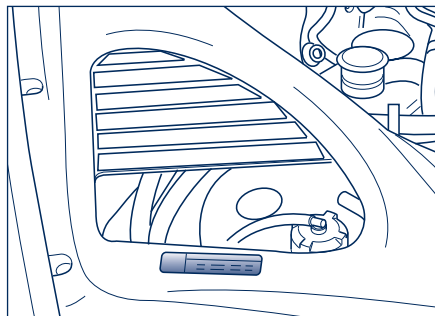
- Lubricant label;
- Mercury content warning label;
- Tire specification label;





- Anti-freeze label

1



Key codes

A CODE CARD is supplied with the keys. This card indicates the following:

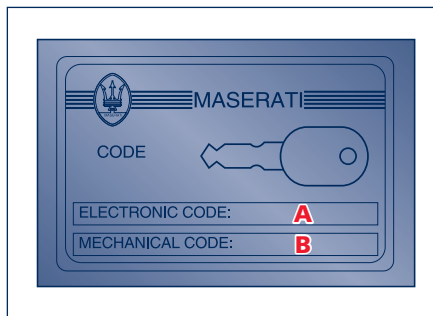
- the electronic code **A** to be used for “emergency ignition”
- the mechanical key code **B** to be provided to **your Authorized Maserati Dealer** in case you may need duplicate keys.

WARNING: The code numbers shown on the CODE CARD should be kept in a safe place.

WARNING: You are advised to always keep the CODE CARD number with you, as this is absolutely necessary in the event of an “emergency starting”.

WARNING: In the event of a vehicle ownership transfer, it is essential that the new owner is provided with all the keys and with the CODE CARD.

WARNING: You are advised to record and keep the codes listed on the tags delivered with the keys and the remote control in a safe place (not in the vehicle) in order to request duplicates if needed.







Active and passive safety

Seat belts	24
Proper transport of children	29
ESC system	43
ASR system	44
ABS, EBD, HBA and BOS systems	45
TPMS – Tire Pressure Monitoring System	47
Parking sensors	52
Fuel cut-off inertia switch	57



Seat belts

The vehicle is equipped with seat belts with automatic retractor designed for maximum freedom of movement. The seat belts are equipped with electronically-controlled load limiting devices and pretensioners. In addition, the attachment points of all the seat belts are directly attached to the seat, in order to help ensure optimal protection, whatever the seat position.



Maserati urges you to use the seat belts correctly fastened and adjusted at all times!



Correct use of the seat belts can help reduce the risk of serious injury in the event of an accident.

The passenger and rear side seats are equipped with KISI System, which is designed to help improve safety when children are traveling in special child seats. The system is activated by pulling out the belt to its full length: once the child seat is securely fastened, the belt can no longer be pulled out and hence the belt/child seat system is more secure.

When the belt is released and fully retracted, the system deactivates and resumes its normal operation.



Do not pass seat belts over sharp edges. They could tear.




Do not pin anything to the seat belts. This could reduce their initial strength and cause them to tear in the event of a crash.



Always deactivate this feature prior to using the seat belt for normal use. Having the retractor locked can be dangerous when the seat belt is used for directly restraining a passenger.

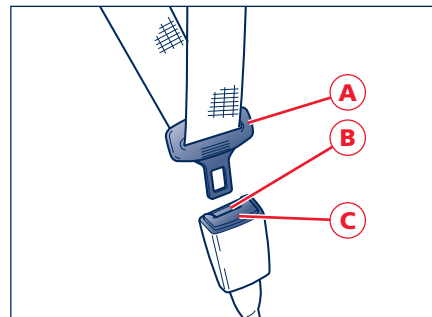
Fastening the seat belts

Extract the lower section of the seat belt from the outer side of the seat and secure it by holding the fastening tang **A**, and pulling out the belt until the tang inserts into the buckle lock **B**. The belt is correctly engaged when the lock clicks into position. To release the belts, press button **C**. If the driver's seat belt is not fastened or improperly fastened, the warning light  on the instrument panel illuminates.

If the passenger's seat belt is not fastened or improperly fastened, on the display appear the message "Fasten passenger seat belt". A buzzer is also activated when the warning light or message are activated.

The retractor locking device is designed to activate whenever the belt is pulled out too rapidly or in case of sudden braking or collision. If the belt locks due to too rapid extraction, allow it to retract a short distance to disengage the locking device. The retractor is designed to allow the belt to automatically fit to the passenger's body, allowing free movement. When the vehicle is parked on a steep slope, the retractor may lock: this is normal.

WARNING: Feed the belt back into the retractor by hand to avoid twisting and snagging.



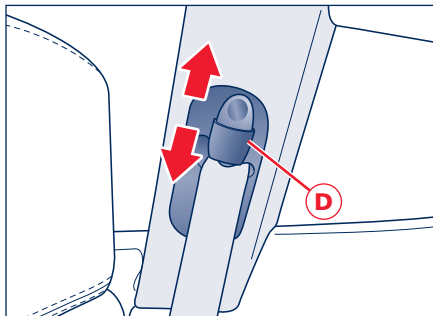
Adjusting the front seat belts height (front seats only)



The seat belts height must be adjusted only with the vehicle stationary.

Always adjust the height of the front seat belts so that they suit the driver's and passenger's height. This precaution can help to substantially reduce the risk of injury in a collision. The correct adjustment is achieved when the belt passes about mid-way between the end of the shoulder and the neck.

The upper attachment point of the seat belts is equipped with an oscillating ring capable of moving into 4 different positions, allowing the belts position to be adjusted.



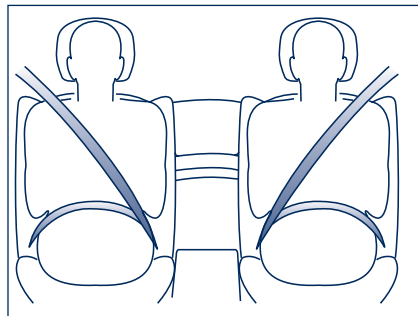
Do not bring sharp edges in contact with a seat belt. This could reduce their initial strength and cause them to tear in the event of a crash.

If a seat belt has been brought in contact with a sharp edge, or has been used to pin something to it, have it immediately replaced by our Authorized Maserati Dealer.

To move the attachment fitting, press control **D**.



After the adjustment, always check that the slider to which the oscillating ring is fixed, is locked into one of the positions provided. With the handgrip released, push again downward to allow the anchoring device to click into place, in the event that it has not been released in one of the positions provided.



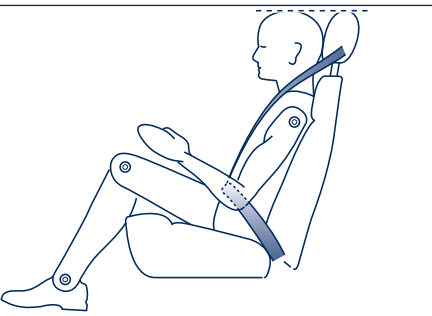
Using the rear seat belts

The belts for the rear seats must be worn as shown in the figure.



Remember that, in the event of a violent impact, the passengers on the rear seats that are not wearing the seat belts are not only subject to personal injury but they also represent a danger for passengers sitting in the front seats.

The seat belts must be worn keeping your chest in the upright position and lying against the backrest.





Load limiting devices

To help increase passive safety levels, the seat belt retractors are equipped with a load limiting device designed to control the belt reeling out, so that the force exerted on the shoulders while the seat belt is in restraining mode can be suitably adjusted.

Pretensioners

To further enhance the seat belt efficiency, the vehicle seat belts are equipped with ETD (Emergency Tensioning Device) pretensioners. These devices are designed to “detect”, by means of a sensor, that a violent crash is occurring and retract the belts by a few centimeters. This helps ensure that the belt continues to adhere to the occupants’ bodies before the restraining action takes place.

The smoke is not toxic and does not indicate the presence of a fire. The pretensioners are activated in the event of an impact of a certain severity.

The pretensioner only activates when the seat belt is fastened.

After the pretensioner activation, the seat belt can be unfastened as usual, by pressing the button on the buckle.

The pretensioner does not require any maintenance or lubrication.

WARNING: Tampering with the device will compromise its efficient operation. If, as a result of exceptional natural circumstances (e.g., floods, heavy seas, etc.), the device has been in contact with water and sludge, it is mandatory to replace it. To help ensure the best protection from the pretensioners, wear the belt in such a way that it fits snugly against your chest and pelvis.



The pretensioners can be deployed only once and activate only when the seat belts are fastened. After activation, contact an Authorized Maserati Dealer to have the pretensioners replaced and for properly discarding the old components.

WARNING: Work on the vehicle which involves blows, vibrations or localized heating (welding) in the area of the pretensioners may damage or activate them: vibrations due to uneven road surfaces or unintentional underbody collisions, for instance, should not affect the units. Contact your local **Authorized Maserati Dealer** for any inspection that may be required.



It is strictly forbidden to remove or tamper with the pretensioner components. Any intervention must be carried out only by qualified and authorized personnel. Always contact your local Authorized Maserati Dealer.

General warnings for using the seat belts



The driver and any passengers are obliged by law to respect and obey the provisions of local legislation regarding the compulsory use of seat belts.



To help provide maximum protection, you are advised to keep the seatback in the most upright position possible and the seat belt close to your chest and pelvis. If the seat belt is loose, in the event of an accident you could move too far forward and could be injured. Travelling with the seatback too far reclined could also be dangerous: even if the seat belts are fastened, they may not work correctly. In fact, the belt itself may not be

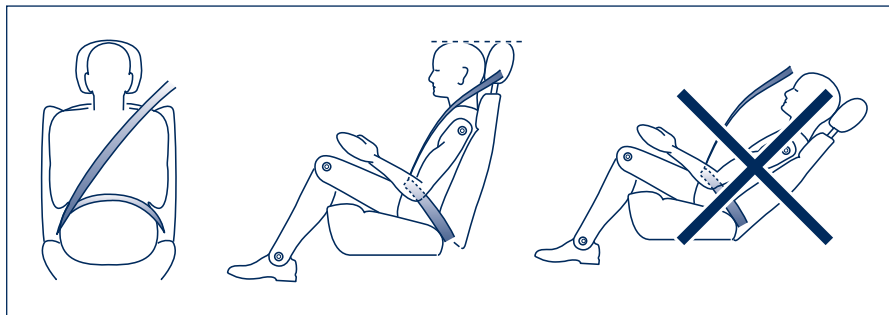
close enough to your body and, if it is in front of you, it could cause neck wounds or other injuries in an accident. Additionally, in an accident, the lower section of the belt could press against the upper part of your stomach rather than the pelvic area, causing serious internal injuries.



Do not use child seats or child booster cushions/backrests in the front passenger seat. Occupants in the front passenger seat must never sit on the edge of the seat, leaning toward the instrument panel or otherwise sit out of position. The occupants' back must be as upright as comfort allows, and must rest against the seatback with the seat belt properly fastened. Feet must be on the floor (i.e. not on the dashboard, seat or out of the window).



Always fasten the seat belts. Travelling without the seat belts fastened significantly increases the risk of serious injury in the event of a collision, even with the airbags. In the event of a collision, the seat belts help reduce the possibility of the vehicle's occupants being thrown against the structures of the passenger compartment or out of the vehicle. The airbags are designed to work together with the seat belts, not to substitute them. The front airbags only deploy in the event of certain head-on collisions of sufficient intensity. They will not be activated if the vehicle rolls over, or in the event of rear bumps or minor frontal collisions, or non-frontal collisions.





Do not fasten your seat belt using the buckle lock for the other seat: in the event of an accident, the lower section of the belt could press against the upper part of your stomach rather than the pelvic area, causing serious internal injuries.



It is extremely dangerous to travel with the belt positioned underneath your arm. In the event of an accident, you would be thrown forward and would likely suffer head and neck injuries. Additionally, if the belt presses against your ribs, it could cause serious internal injuries.



The belt must not be twisted; make sure that it is snugly fitted to the driver's and passenger's bodies. In fact, in an accident, the restraining force would not be distributed evenly along the belt and would consequently cause injuries. The upper part of the belt must pass over the shoulder and diagonally across the chest. The lower section must adhere to your pelvis, not the stomach, to avoid that you slide forward in the event of a collision. Do not use devices (clips, fasteners etc.) that prevent the seat belts from laying close to the

passenger bodies.



Do not carry children on a passenger's lap using only one seat belt for protecting both of them.



If the seat belt has suffered a heavy mechanical stress, for example during a collision, it must be completely replaced together with its anchorages, the screws fastening these anchorages and the pretensioner. In fact, even if there are no visible defects, the resistance level offered by the seat belt could be reduced.



Pregnant women must observe local legislation regarding the use of seat belts. Make sure, in any case, that the lower section of the belt is positioned well down on the hips, below the abdominal region of the body.

Maintaining the seat belts

- 1) Always use the seat belts keeping the belt flat, not twisted; make sure the belt can slide freely, without jamming.
- 2) The seat belts must be replaced following every pretensioner activation and whenever the belt itself shows visible damages or abrasions.
- 3) Wash the seat belts by hand using water and neutral soap, rinse them and let them dry in the shade. Do not use strong detergents, bleaches or colorants and any other chemical substance that could weaken the belt fibers.
- 4) Make sure the retractors do not get wet: as they will not operate properly.

Proper transport of children

For optimal protection in the event of a collision, all the vehicle's occupants must travel seated and protected by all the suitable restraining systems. The seat belts are designed to be used by persons whose physical characteristics (age, height, weight) are provided for by established legislation in each country. Anyone who does not comply with these provisions may not travel in the front passenger seat. This also applies to children. Their heads are proportionally heavier and larger than those of adults, while their bones and muscles are relatively undeveloped. To help protect them in case of a collision, they must use special restraint or safety systems, even in the rear seat.



Incorrect fastening of a child restraint system increases the risk of injury to the child in the event of a collision.

The seat belts on the vehicle have been designed and tested to protect people weighing at least 79 lbs (36 kg) and taller than 59 in (1.50 m). To help properly protect a child

outside these limits, specific restraint systems with dedicated belts or accessories capable of adapting the child's position to the vehicle's seat belts must be fitted.



If a child seat is installed on the front passenger's seat, the restraint must be positioned completely backwards and upwards.



We recommend that child seats be installed in the rear seating positions ONLY.



Even with advanced airbags, children should always be seated in the rear seats. The rear seat is the optimal location for children.

The use of specific restraint systems for newborns and children is mandatory, as provided by the law in all the 50 States of the United States, the District of Columbia, the U.S. territories and the Canadian provinces. Newborns and children must travel seated in suitable restraint systems, using adequate safety abdominal or diagonal belts or, if present, an upper anchoring point and a system with 2 lower anchoring points, in order to be

compliant with the U.S. Federal Motor Vehicle Safety Standards 213 and 225 and with the Canadian Motor Vehicle Safety Standards 213 and 210.2.



No child under 12 should travel in the front passenger seat.



Children must never travel seated on a passenger's lap. In a collision, a child becomes so heavy that it is impossible to hold onto him or her. For example, in the event of a collision at only 25 mph (40 km/h), a child weighing 12 lbs (5.5 kg) exerts a force equal to 240 lbs (110 kg) on the arms of the person carrying him/her. Children must always be protected by a suitable restraining system when travelling.

WARNING: The vehicle is equipped with airbag technology that no longer uses a Passenger Airbag Off function to indicate that the front passenger seat is occupied. Children should be properly restrained in suitable child seats, which must be properly installed in the vehicle (following the child seat manufacturer's instructions), and be placed in the rear passenger seating area.



Children (or adults) who are resting on the airbag or are too close to it when it is activated, may be seriously injured. The airbags and pretensioners are designed to offer suitable protection for adults and teenagers, but not for children and babies. Neither the seat belts or the airbags are designed for them. Children and babies must travel in suitable restraining systems.



Babies must be supported completely, including their head and neck. This is necessary since the baby's neck is weak while their head is proportionally bigger and heavier in relation to their body. In a collision, if a baby is travelling in a rearward-facing seat, the forces of an impact are distributed throughout the strongest parts of the body, i.e., the back and shoulders. Babies must always be protected by a suitable restraining system when travelling.



Babies travelling in a rearward-facing seat may be seriously injured in the event of airbag activation. This could happen because the seatback of the child's seat may be positioned extremely close to the airbag at the

moment it is inflated. Do not place an infant or a child in the front passenger seat at any time.



The structure of a child's body is completely different from that of an adult or a teenager (whom the seat belts are designed for). Children's hips are so small that the seat belt will not stay in the correct position on them. The belt may rise up on the child's stomach and, in the event of a collision, can cause serious internal injuries. Children must always be protected by suitable restraining systems.



We recommend that child seats be installed in the rear seating positions ONLY.

All minors whose physical characteristics (age, height, weight) fall within the value ranges/limits provided by established legislation in each country must also be protected by special restraint or safety systems (e.g., certified child seats, booster seats). Make sure to always use approved universal child restraining systems. Follow the instructions that the manufacturer of the device is required

to supply together with the child restraint systems. To help ensure the best restraining action of the child seats, we recommend that you choose the model that best suits the shape of your seats. If possible, try to install the seat on the vehicle before purchasing it. Do not install child seats that, when placed on the seat, have an unstable or unnatural position due to the shape of your vehicle seat.

In an emergency situation, if you have to carry a baby in a specific child seat facing rearward on the front passenger seat:

- adjust the front passenger seat to the most rearward position;
- install the child seat following the instructions provided by the child seat's Manufacturer;
- position all the movable parts of the child seats (e.g., handle, reclining seatback, sunshade etc.) carefully following the instructions provided by the Manufacturer and found on the instructions manual of the same child seat.

The seat belts on the front passenger seat and on the rear side seats are fitted with the KISI system, which improves safety when children are travelling in special child seats. The system is activated by pulling out the belt to its full length: once the child seat is securely fastened, the belt can no longer be pulled out and hence the belt/child seat system is more secure.

When the belt is released and fully retracted, the system deactivates and resumes its normal operation.



To help ensure the best restraining action of the child seat, we recommend that you choose the seat that best suits the shape of your vehicle's seat and that you try to install the child seat before purchasing it.



In the event of an accident, an improperly fastened child restraining system can increase the risk of injury.



Rearward-mounting child seats must not be used on front passenger seats equipped with airbags, as these could cause serious injuries during inflation, even in minor collisions.

We recommend that you always carry children seated in their specific child seats, which must be fitted on the rear seat, as this is generally the safest place in the event of a collision.



No modifications can be made to the seat belts and the child restraining systems. Established legislation in some countries already provides that children under 12 years of age may not travel in the front passenger seat.



Check on the label found on the child restraint system and on the manual provided by the child seat manufacturer that the system complies with the above mentioned standards, as certified by the manufacturer declaration.



Whenever using a restraint system for infants or children, we recommend that you carefully read and follow the instructions provided by the child seat manufacturer on installation and use.



Please read and observe the instructions on the warning labels found inside the vehicle and on the restraint devices for infants and children.



To fasten the child seat to the vehicle seat, follow the assembly instructions provided with the restraint system itself. Then fully pull out the seat belt to then let it rewind. During rewinding, you will hear a click sound: this means that the special retractor has activated. The seat belt is now locked. Then push the child seat against the seat to rewind any excess length of the seat belt. To deactivate the retractor, unbuckle the seat belt and let it rewind completely. The seat belt can now be used normally.



Never unbuckle the seat belt that retains the child seat when the vehicle is moving.



When the child seat is not used, remove it from the vehicle or fasten it using the seat belt, in order to prevent it from being ejected out of the vehicle in the event of an accident. Never leave children unattended in the vehicle, even if they are secured and seated in their child seat. Unattended children in a child seat may use some of the vehicle equipment and cause accidents and/or serious personal injuries.

Children whose weight/height are below the minimum limits established by the manufacturer of the child restraint systems must use the standard seat belts. Adjust the seat belt in a diagonal position, across your chest and on your shoulder, and not on your neck or face. Starting from a weight of approximately 41 lbs (18.6 kg), it may be necessary to add a booster seat to obtain a correct position for fitting the seat belt, until the children reach a sufficient height to have an abdominal/diagonal seat belt suitably fitted without needing a rise.

Below is a summary of the safety regulations applying to the transport of children:

We recommend that you always carry children in the specific restraining systems installed in the rear outer seats, as this is usually the best place in the event of a collision.

Always follow strictly the instructions that the manufacturer provides with the seat.

Keep the instructions in the vehicle together with the documents and this manual. Do not use a seat which does not have any instructions for use.

WARNING: We recommend that you choose the seat that best suits the shape of your vehicle's seat and that you try to install the seat before purchasing it.

Always pull on the seat belt to check that it is locked in place.

All restraint system must be used by a single passenger only: never carry two children in the same seat.

Always check that the seat belts are not resting against the child's neck.



Always drive slowly and carefully when carrying a child. Hard acceleration due to sport-style driving can be dangerous for children, even if no crash occurs.



Even with advanced airbags, the rear seat is generally the safest location for children. Whenever possible, always place children in the rear seats.

Do not allow the child to assume incorrect positions or undo the seat belt /child seat safety harness during travel.

Do not carry children in your arms, even newborns. Nobody, however strong, can hold on to a child in the event of a collision.

After an accident, always replace the child seat with a new one.

The vehicle is designed for mounting child seats with top anchoring.

To fit the child seat, pass the strap **A** underneath the rear headrest and anchor it on one side to the backrest of the child seat and on the other side to the bracket **B** on the car body. This anchoring point can be easily identified thanks to the logo found on the Isofix bracket covering cap shown below:



Then anchor the base of the child seat to the brackets **C**.

Latch system

The rear side seats of the vehicle are equipped with anchoring points for Latch system child seats. This is a new system complying with applicable standards for carrying children.

This system offers a special anchoring

system for child seats, which uses two metal brackets **C** positioned between the seat cushion and backrest. These metal brackets are easily identifiable through the label bearing the logo shown below.



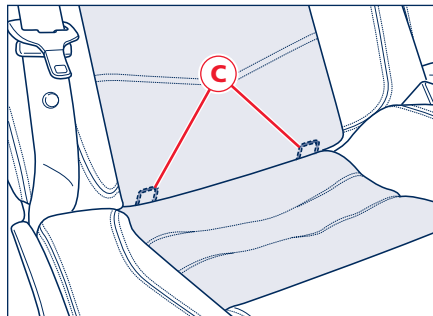
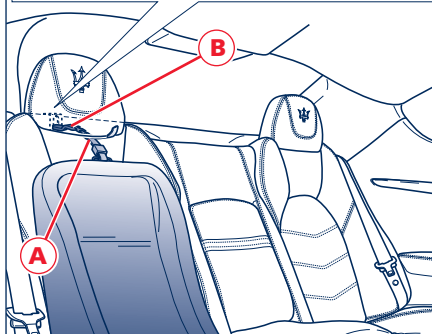
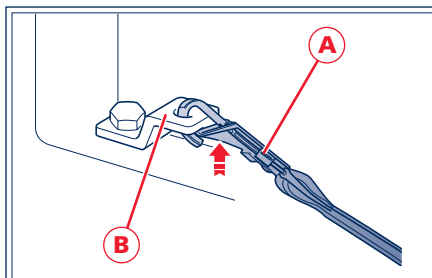
The seats designed for Latch system child seats installation can however be fitted with standard child seats; you can install a standard and a Latch system child seat at the same time (one in each outer rear seat).

No more than two standard child seats or two Latch system type child seats can be installed on the rear seats.

Only standard type child seats can be mounted on the front passenger seat.



Fit the child seat only when the vehicle is stationary. The child seat is correctly anchored to the provided brackets when a click indicates it is locked in place. Follow the mounting, removal and positioning instructions provided by the child seat manufacturer.

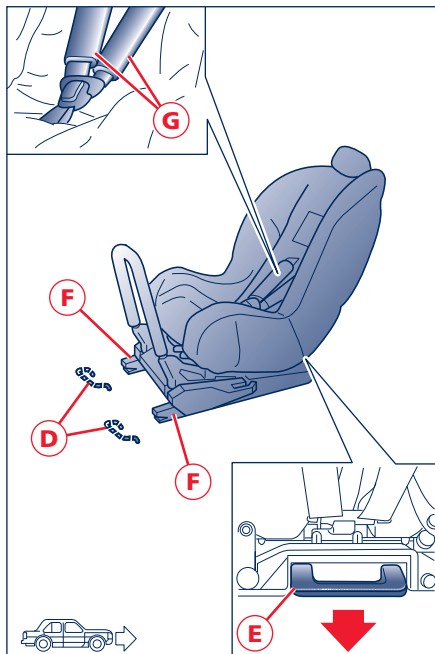




Fitting the Latch system child seat in rearward-facing position

To fit the Latch system child seat in a rearward-facing position, be particularly careful that the brackets **D** are properly inserted in their seatings **F**.

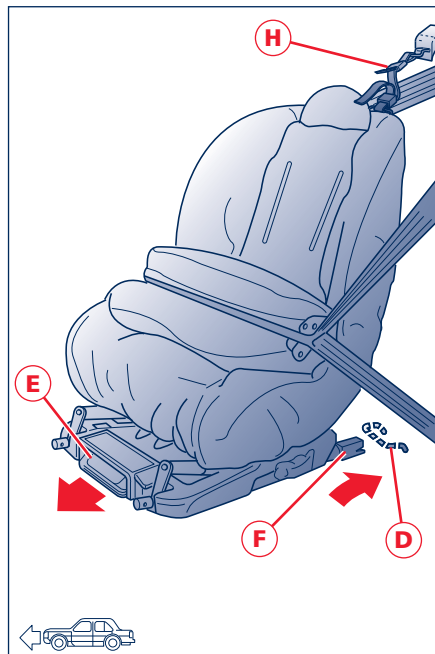
The baby is then secured by the child seat's harness **G**.



Fitting the child seat in forward-facing position

For installation, proceed as follows:

- make sure that the release lever **E** is in the standby position (retracted);
- align the anchoring points **F** with the brackets **D**, then push the seat until you hear it click into place, which indicates it is secured;



- check for correct locking by trying to move the child seat; the safety mechanisms in fact, help prevent the child seat from being improperly fitted if only one of the attachment fittings is locked;
- pass the strap **H** underneath the rear headrest and anchor it onto the child seat backrest and onto the bracket on the car body.

This way, the child seat is retained not only by the brackets **D** but also by the vehicle seat belt and by the upper strap **H**.

In any case, see the instruction booklet provided with the child seat for fitting the vehicle belts into the seat correctly.

Remember, the best child safety seat is the one that fits your child properly, is easy to use, and fits in your vehicle correctly. The best way to ensure a proper fit in your vehicle is to try installing the child seat before purchasing.

You can be certain you've installed your child safety or booster seat correctly by having it checked at a child safety seat inspection station or by a certified child passenger safety technician. To find one near you, visit <http://www.nhtsa.dot.gov/CPS/CPSfitting> or www.seatcheck.org. You can also call 1-888-DASH-2-DOT or 1-866-SEATCHECK.

Transport of persons with disability

If it is necessary to modify the advanced airbag system of your vehicle to accommodate a person with disabilities, contact an **Authorized Maserati Dealer**.



The advanced airbag system of your vehicle is not designed to protect adults with disabilities that require deactivation of the passenger or driver airbag.



If you or another occupant is an adult with a medical condition that requires airbag deactivation, please contact an Authorized Maserati Dealer.

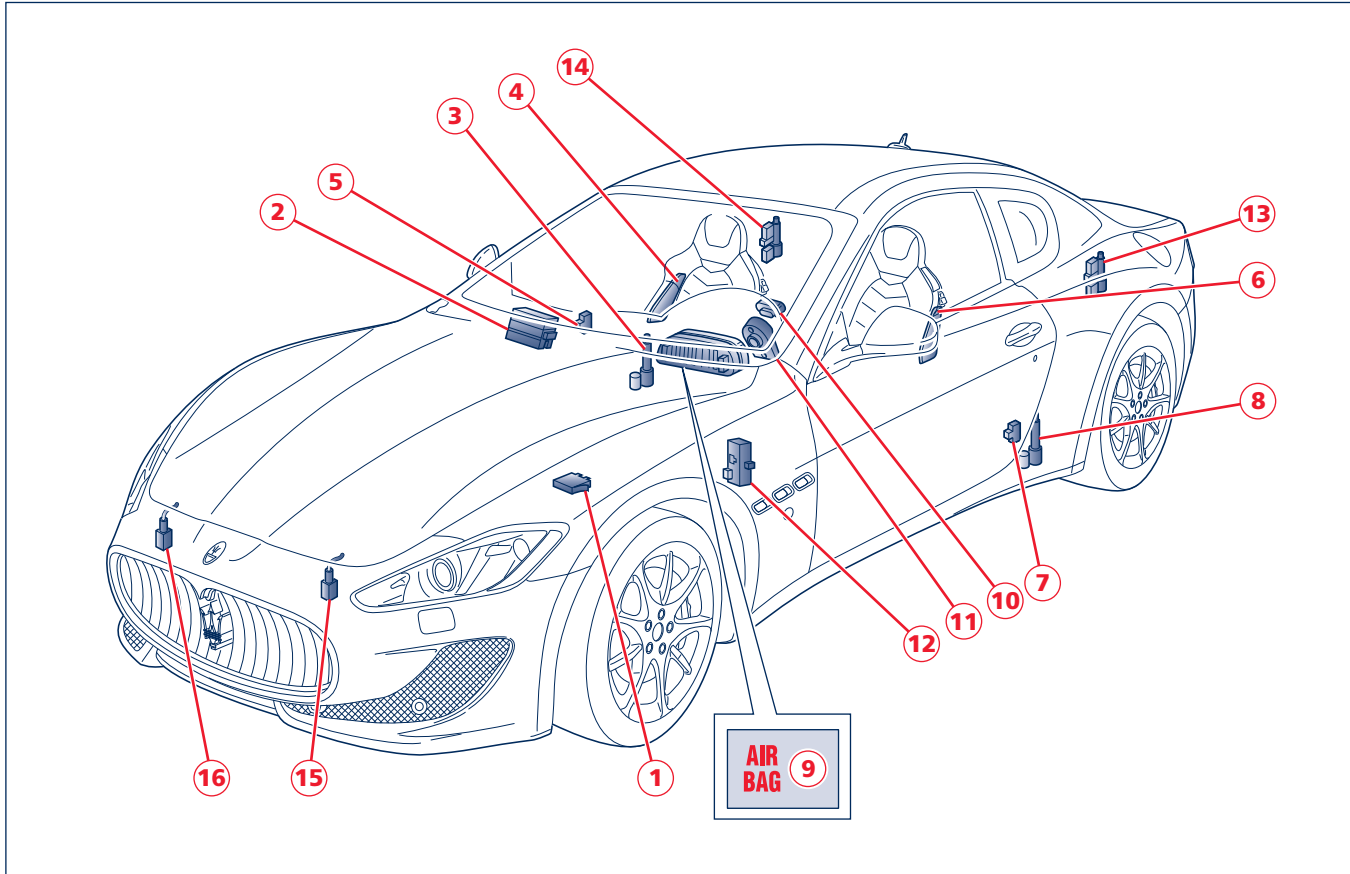


As long as the airbag is activated, persons with disabilities are advised not to travel in the front seat in order to avoid the risk of serious injuries or death, even in minor crashes.



Front and side airbags

2



The vehicle is equipped with 6 airbags (2 front and 4 lateral ones) and with electronically- controlled pretensioners for all of the seats belts. The system components are the following:

- 1) Electronic control unit
- 2) Passenger's front airbag
- 3) Passenger's front seat belt pretensioner
- 4) Passenger's side bag (for head and chest protection).
- 5) Passenger's satellite crash sensor
- 6) Driver's side bag (for head and chest protection).
- 7) Driver's satellite crash sensor
- 8) Driver's front seat belt pretensioner
- 9) Airbag system failure warning light
- 10) Driver's front airbag
- 11) Clock Spring
- 12) Diagnostics socket
- 13) Rear left-hand pretensioner
- 14) Rear right-hand pretensioner
- 15) Front left-hand Crash Zone Sensor
- 16) Front right-hand Crash Zone Sensor.

Front airbags



The airbag is not a substitute for the seat belts. Correct use of the seat belts, in combination with the airbag, will offer protection for the driver and passenger in the front seat in the event of a head-on collision.

Airbag system components

The airbag system is composed of two cushions that are designed to inflate almost instantaneously. One (12) is on the driver's side, in the center of the steering wheel, and the other (2) is on the passenger side, inside the dashboard.

Deployment

The front airbags of your vehicle have been designed to inflate in 2 stages. This allows the airbag to have different rates of inflation based on the crash severity, as assessed by the airbag control unit.

The **driver's airbag** is designed to be deployed in certain head-on collisions according to the following strategy.

- For low severity crashes, the airbag control unit will not deploy the airbag.
- For crashes of higher severity, the

control unit will deploy the driver airbag in low energy mode.

- For crashes of even higher severity, the control unit will deploy the driver airbag in high energy mode.

The front passenger's airbag is designed to be deployed in certain head-on collisions according to the following strategy.

- For low severity crashes, the airbag control unit will not deploy the airbags.
- For crashes of higher severity, the control unit will deploy the airbag in low energy mode.
- For crashes of even higher severity, the control unit will deploy the airbag in high energy mode.



Never place an object over or near the driver and passenger airbags. In the event that the passenger airbag is deployed, it will project any object over it, or near it, in the passenger compartment at very high speed. The object will be transformed into a projectile propelled in the passenger compartment. This could cause serious injuries.



Do not tamper or damage the airbag modules. If, for any reason, an airbag cover gets damaged, have the airbag module immediately checked by an Authorized Maserati Dealer.



Activation of a damaged module could cause serious or fatal injuries. Please note that your vehicle is not capable of automatically detecting damage to the airbag cover.

Operation and replacement

The airbags are controlled by an ECU that is designed to activate them in the case of a head-on collision of sufficient force.

In the event of a collision with an impact force that causes deceleration exceeding the value set for the internal sensor, the ECU will transmit a signal to deploy the airbags. The airbags will begin to inflate, breaking the cover along the breakage line and will inflate completely in a few milliseconds. Once inflated, they will serve as a protection between the driver and/or passenger and structures that could cause injury.

The airbags deflate immediately afterward.



The driver and passenger are both advised not to travel handling objects (e.g., beverage cans or bottles, pipes, etc.) that could cause injury in the event of airbag activation.

WARNING: When the system starts operating, gases are released in the form of fumes, together with the gas used for inflating the airbags. These gases are not harmful.



Drive with your hands always on the rim of the steering wheel so that, in the case of activation, the airbag can inflate without obstruction. Placing hands or arms inside the rim increases the risk of arm/hand injuries in the event of a crash.



Always keep the seat backrest in the upright position and sit with your back properly resting against it. Do not modify the system components or wiring under any circumstances.



With the ignition key inserted and in position MAR (ON), although the engine is off, the airbags can still be activated when the vehicle is stationary if it is hit by a moving vehicle. Thus, even with the vehicle stationary, do not put children in the front seat. In addition, remember that if the ignition key is in position STOP (OFF), none of the safety devices (airbags or pretensioner) are activated in the event of a collision. Failure of the airbags to inflate in these circumstances is not indicative of system malfunction.



California Proposition 65 Warning

THIS MOTOR VEHICLE CONTAINS CHEMICALS KNOWN TO THE STATE OF CALIFORNIA TO CAUSE CANCER, BIRTH DEFECTS OR OTHER REPRODUCTIVE HARM (see page 7)

WARNING: Do not cut or tamper with the connectors of the airbag harness or on the airbag modules.

Do not cover the steering wheel and the top part on the instrument panel on the passenger's side with any tape or label, or treat it in any way.

Never remove the steering wheel.

If necessary, this procedure should only be performed by an **Authorized Maserati Dealer**.

All the airbag system components must be replaced after an accident that has caused airbag deployment. Following an accident not involving airbag activation, you must contact an **Authorized Maserati Dealer** to have the system checked and replace any system components that may be damaged or malfunctioning.



Damaged or defective components of the airbag system cannot be repaired and must be replaced.

Improper intervention involving the system components can cause failures or undesired activation of the airbags with damage resulting.

The airbag system components have been specially designed for this specific vehicle model. Do not attempt to use them on other vehicles, as this could cause serious injuries to passengers in the event of an accident.

To scrap the vehicle, please contact an **Authorized Maserati Dealer** to have the airbag system disposed of properly.

If the vehicle has been stolen or there has been an attempted theft, have

the airbag system checked by an **Authorized Maserati Dealer**.

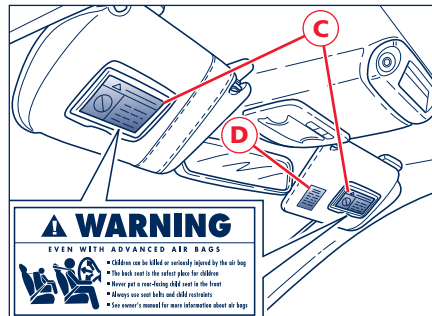
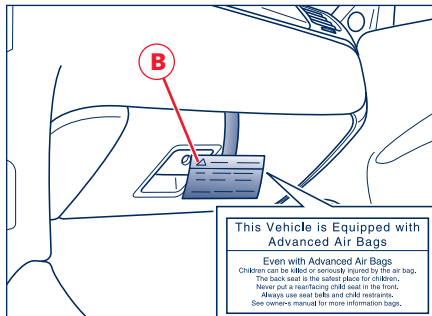
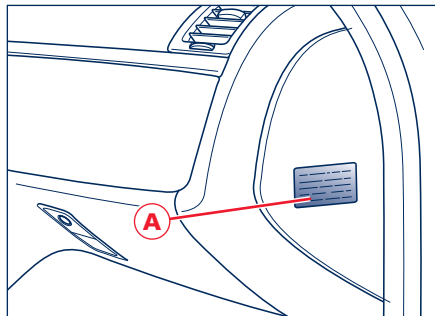


The airbag modules must be replaced at the intervals indicated in the "Warranty Booklet and Maintenance Schedule", even if the vehicle was not involved in collisions.

The label **A** on the right-hand side of the dashboard, bears the airbag system expiration date. Please contact an **Authorized Maserati Dealer** for replacement of the system when this date approaches.

The labels **B**, **C** and **D** indicate that the airbag system is installed.

*Note: The label **B** on the dashboard can be removed.*





Side airbags

The side airbags have been designed to help enhance the protection level provided to passengers travelling in the front seats in the event of certain medium-high severity collisions.

They consist of an instantaneously inflating airbag (side bag) housed in the front seat backrests.

In the event of a side impact, an electronic control unit processes the signals coming from a deceleration sensor and activates airbag deployment when necessary. The airbag deploys almost instantaneously, placing itself between the front passengers the side of the vehicle. The airbag deflates immediately afterwards.

WARNING: The electronic control unit activates the pretensioners, the front airbags and side bags on the basis of different criteria, according to the type of collision.

Failure of one or the other system to activate is not indicative of system malfunction.

In the case of low-severity side collisions (for which the restraining action of the seat belts provides adequate protection), the side airbags do not deploy.

The side airbags are not a substitute for the seat belts but rather act in combination with them. As a consequence, the seat belts must always be worn as provided for by applicable legislation in Europe and in most non-European countries.

WARNING: The front and/or side airbags may deploy if the vehicle suffers a violent impact beneath the vehicle body, for example in the event of strong impacts against curbs, steps or speed bumps, potholes or roads with subsidence.

WARNING: The airbags release a small amount of powder during deployment. This powder is not harmful and does not indicate the presence of fire; in addition, the surface of the deployed airbag and the interior of the vehicle may be covered with a powdery residue: this powder may irritate your skin and eyes. In case of contact, wash the affected parts with running water and neutral soap.



If the warning light **AIR BAG** comes on when the vehicle is running (indicating a fault), contact your local Authorized Maserati Dealer as soon as possible to have the system checked.



In the event of a collision with consequent airbag inflation, contact your local Authorized Maserati Dealer for replacement of the entire safety system, electronic control unit, seat belts, pretensioners, and to have the vehicle's electrical system checked.



All testing, repairs and replacements of the airbag system must be performed by an Authorized Maserati Dealer.

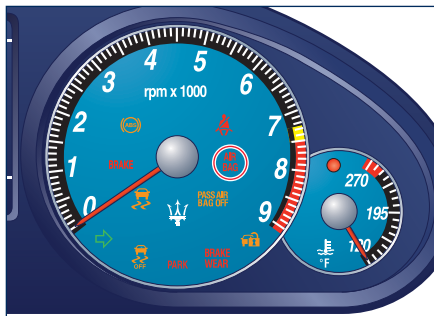


WARNING: In the case of scrapping of the vehicle, contact your local **Authorized Maserati Dealer** to have the system deactivated.

WARNING: If the vehicle is sold, the new owner must be informed of the aforesaid instructions for use and warnings, and he/she must also be provided with the "Owner's Manual".



The electronic control unit activates the pretensioners and front/lateral airbags based on different criteria, according to the type of collision. The fact that one or more systems do not activate is not indicative of a system malfunction.



Event Data Recorder (EDR)

This vehicle is equipped with an event data recorder (EDR). The main purpose of an EDR is to record, in certain crash or near crash-like situations, such as an air bag deployment or hitting a road obstacle, data that will assist in understanding how a vehicle's systems performed. The EDR is designed to record data related to vehicle dynamics and safety systems for 5 seconds.

The EDR in this vehicle is designed to record such data as:

- how various systems in your vehicle were operating;
- whether or not the driver and passenger safety belts were buckled/fastened;
- how far (if at all) the driver was depressing the accelerator and/or brake pedal; and
- how fast the vehicle was traveling.

These data can help provide a better understanding of the circumstances in which crashes and injuries occur.


***NOTE:** EDR data are recorded by your vehicle only if a non-trivial crash situation occurs; no data are recorded by the EDR under normal driving conditions and no personal data (e.g., name, gender, age, and crash location) are recorded. However, other parties, such as law enforcement, could combine the EDR data with the type of personally identifying data routinely acquired during a crash investigation.*


To read data recorded by an EDR, special equipment is required, and access to the vehicle or the EDR is needed.


In addition to the vehicle manufacturer, other parties, such as law enforcement, that have the special equipment, can read the information if they have access to vehicle or the EDR.





General warnings


 When the ignition key is turned to the MAR (ON) position, the warning light ^{AIR BAG} comes on, but it switches off after approx. 5 seconds. If the warning light fails to come on at this time, or stays on, or lights up when driving, contact your local Authorized Maserati Dealer immediately.


 Drive with both hands on the steering wheel rim, so that if the airbag inflates it can do so freely, without encountering obstacles which can cause serious injuries. Do not drive with your body curved forwards but keep the seatback upright, with your back fully against it.


 Do not apply stickers or other objects to the steering wheel or the passenger's airbag compartment.


 Do not travel with objects in your lap, in front of your chest or especially with a pipe, pencil or other objects held in your mouth. In the event of a collision, the deployment of the airbag could result in serious injury.


 Do not cover the front seatbacks with clothing or covers.


 Note that with the ignition key inserted and turned to the MAR (ON) position, even with the engine switched off, the airbags can inflate even if the vehicle is stationary, if it is struck by another vehicle. Therefore, even with the vehicle stationary, children must be secured by the specific child restraint systems installed on the passenger seat. In addition, the airbags will not inflate in the event of collisions with the vehicle stationary and the key removed from the ignition lock; failure of the airbags to inflate in these circumstances is not indicative of a system malfunction.


 If the vehicle has been the object of theft or attempted theft, if it has been vandalized or involved in flooding, contact your local Authorized Maserati Dealer to have the airbag system checked.


 If repairs are carried out on the electrical system incorrectly, the airbag could be activated, thereby causing injuries to anyone in the vicinity.

 The airbags do not replace the seat belts but act as a supplementary restraint system. Moreover, in the event of head-on collisions at low speed, side impacts, rear impacts or roll-overs, the passengers are protected by the seat belts only, that must always be fastened.

 Do not wash the seats with water or pressurized steam.

 Do not hang rigid objects onto the clothing hooks or onto the handholds.

 Do not fit sunshades of any kind on the windows or door panels.



 **California Proposition 65 Warning**

THIS MOTOR VEHICLE CONTAINS CHEMICALS KNOWN TO THE STATE OF CALIFORNIA TO CAUSE CANCER, BIRTH DEFECTS OR OTHER REPRODUCTIVE HARM (see page 7)



ESC system

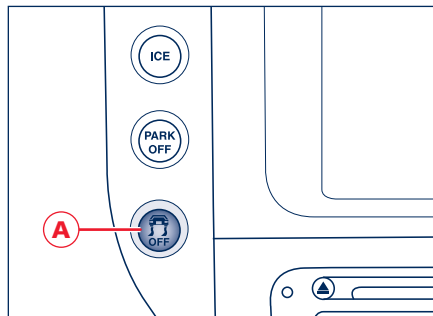
The vehicle is equipped with the **ESC** (Electronic Stability Control) system, which contains all the various control systems in it: ABS, EBD, ASR and MSR. **ESC** contains a model that supplies a very accurate forecast of the vehicle's behavior. It is able to detect whether the driver is about to lose control of the vehicle. In this case it can individually activate the brake calipers and the engine control system in order to create a torque that counters the skid.

Activation


The **ESC** system is designed to automatically activate every time the engine starts; it can be overridden by pressing button **A** for approximately 2 seconds. In this case the warning light  lights up on the dial and on the display, and the latter displays a specific message. To turn the system back on, press button **A** again. During every stage of the operation, the amber warning light  will flash on the instrument panel.

Malfunction indicator

In the event of a malfunction, the system is automatically deactivated and it is not possible to reactivate it. While the vehicle is moving, this state is indicated by the illumination of the amber warning light  on the instrument panel and on the multifunction display. The latter also displays the message "ESC failure, go to dealer". When the engine is started up, the system fault is indicated by the illumination of the light .



WARNING: In the event of a malfunction and when **ESC** is not activated, the vehicle behaves as if it were not equipped with this system: it is recommended that you go to your nearest **Authorized Maserati Dealer** as soon as possible to have the system checked.

WARNING: If you need to tow the vehicle with two wheels raised, make sure that the ignition key is in position **STOP (OFF)**. Otherwise, with **ESC** activated, the relative control unit memorizes a malfunction and the warning lights  are activated on the instrument panel and display, requiring the assistance of an **Authorized Maserati Dealer** to reset the system.

WARNING: In low and medium traction conditions (wet weather, snow, ice, sand, etc.) you are advised not to activate the **SPORT** function, even if **ESC** is activated.

WARNING: Travelling along high-banked curves deactivates the system.



ASR system



The **ASR** system is designed to help avoid skidding of the driving wheels during acceleration by means of the engine control unit (spark advance delay, engine throttle opening reduction and fuel injection cut-out) and the rear brakes.

The **ASR** system is designed to enhance vehicle stability and active safety while driving, specially under the following conditions:


- internal wheel slip on curves due to the load dynamic variations or excessive acceleration
- excessive power transmitted to the wheels, also in relation to road conditions
- acceleration on slippery, snowy or icy road surfaces
- in the event of loss of grip on wet roads (aquaplaning).


The **ASR** system is designed to work in combination with the electronic suspension control system: under normal conditions (**SPORT** mode off), stability in low and medium grip conditions has priority, while with **SPORT** mode active, the system favors traction and optimizes vehicle performance on dry asphalt.

Activation

The **ASR** system is automatically activated every time the engine starts; it can be overridden by pressing button **A** (see page 43) for approximately 2 seconds. In this case the warning light  lights up on the dial and on the display, and the latter displays a specific message. To turn the system back on, press button **A** again. During every stage of the operation, the amber warning light  will flash on the instrument panel.

Malfunction indicators

In the event of a malfunction, the system is automatically deactivated and it is not possible to reactivate it. While the vehicle is moving, this state is indicated by the illumination of the amber icon  on the multifunction display, which also displays the

message “ASR failure, go to dealer”. On the instrument panel, the warning light  comes on.

MSR function (engine braking torque adjustment)

The **ASR** system is also designed to help control the engine braking torque when the accelerator pedal is released under low grip conditions (e.g., snow, ice etc.): in these conditions, the high braking torque provided by the engine may cause instability of the vehicle.

The system, using the same sensors as the ABS, detects skidding of one or both driving wheels when the accelerator is released and opens the motor-driven throttle of the engine fuel system, thus reducing the braking torque and re-establishing optimal grip conditions for the driving wheels.

WARNING: The maximum deceleration that can be obtained with the engine brake always depends on the tire grip on the road surface. Snow or ice obviously reduces grip.

ABS, EBD, HBA and BOS systems

The vehicle is equipped with **ABS** (Anti-lock Braking System) and **EBD** (Electronic Brake force Distribution) systems, which are designed to help enhance the braking system performance by means of the **ABS** system sensors and ECU.


In the event of emergency braking or braking on slippery road surfaces (e.g., snow, ice etc.) the **ABS**, in combination with the standard braking system, allows the driver to apply maximum braking force without causing the wheels to lock and consequently losing control of the vehicle.

The system uses an electronic control unit that processes the signals coming from 4 sensors fitted on the 4 wheels. When a wheel tends to lock, the sensor warns the ECU, which activates an electro-hydraulic unit that modulates the pressure applied to the brake calipers; the driver will feel a “pulsing” sensation on the brake pedal which is completely normal. The vehicle is equipped with another system to assist braking: **HBA** (Hydraulic Brake Assistance), which has been designed to help the driver

during emergency braking. In the event of a critical situation, where the vehicle should stop in the shortest possible distance, the driver usually depresses the brake pedal quickly, but often not strongly enough: this increases the braking distance. This system has been designed to apply optimal braking force during emergency braking, in order to stop the vehicle in the shortest possible distance. The system recognizes the emergency condition by analyzing certain parameters, such as the pressure on the brake servo, the wheel speed and activation of the third stop. The **ABS** control unit is designed to cross-check this data and substitute the driver by activating the braking system full power, so helping to ensure optimal braking performance in the shortest possible distance. To complete the range of systems that assist braking, the vehicle comes equipped with **BOS** (Brake Override System), which is designed to stop the vehicle even when it is being accelerated. If the brake pedal is depressed together with the accelerator, the engine power should be automatically reduced and, if the driver continues to depress the accelerator, the system

may even cause the vehicle to come to a complete stop. Additionally, if the brake pedal is released when the accelerator is still depressed, the corresponding engine torque can be reached gradually.

In the event of a failure, the system will be deactivated, but this will not affect the efficiency of the standard braking system.

The failure will be indicated by the illumination of the dark yellow warning light  with the letters “ABS” on the instrument panel. In this case, we recommend you contact the nearest **Authorized Maserati Dealer**, where the problem will be immediately identified through the self-diagnostic function of the system.



The vehicle must be equipped only with wheels, tires and brake pads of the type and make approved by the Maserati S.p.A. for this model.




Regardless of the fact that this device enhances safety levels, it is essential to always drive with the greatest care when the road surface is wet, covered with snow or ice.



The vehicle is equipped with an Electronic Brake force Distributor (EBD). The warning light **BRAKE** illuminates when the engine is running to indicate an EBD system malfunction: in this case, sharp braking may cause an early locking of the rear wheels, and the vehicle may skid. Drive with the greatest care and have the system immediately checked by the nearest Authorized Maserati Dealer.



The failure warning light  usually illuminates with the engine running to indicate a malfunction in the ABS system only. In this case, the braking system will remain fully functioning, but will not use the ABS. In these conditions, also the EBD system efficiency may be affected. Drive with the greatest care in order to avoid sudden braking and have the system immediately checked by the nearest Authorized Maserati Dealer.



If the low brake fluid warning light **BRAKE** illuminates when the engine is running, stop the vehicle and check the brake fluid level immediately. If fluid is below the minimum level, top up with the recommended fluid and contact your Authorized Maserati Dealer immediately. Brake fluid leaks affect the operation of the braking systems, both the standard one and the one equipped with ABS.



System performance in terms of active safety is not a reason for the driver to take unnecessary risks. The driving style must always be suited to weather conditions, range of visibility and road traffic conditions.



The maximum deceleration that can be obtained always depends on the tire grip on the road surface. With snow or ice, the grip is obviously reduced and the braking distance is greater, even with the ABS system.



**California Proposition 65
Warning**

**THIS MOTOR VEHICLE CONTAINS
CHEMICALS KNOWN TO THE
STATE OF CALIFORNIA TO CAUSE
CANCER, BIRTH DEFECTS OR OTHER
REPRODUCTIVE HARM (see page 7)**



TPMS – Tire Pressure Monitoring System

The vehicle is equipped with a system that monitors the tire pressure by means of special sensors fitted inside the wheel rims, in position with the inflation valve. These sensors transmit a signal that is detected by the antennas installed on the vehicle body, behind the gravel guards and connected to the ECU.

WARNING: The system can momentarily experience radio-electric interference emitted by devices using similar frequencies.

The ECU processes this information and, via the CAN line, transmits a series of tire pressure data and system errors, if any, to the instrument panel. The display may show the information received by means of specific screen pages, which can be recalled selecting the “Tire Pressure” page.



The system warns the driver that the tire pressure has decreased. This warning does not exempt the driver from periodically checking the tires and from complying with the prescribed tire pressure levels.

WARNING: The system stores the tire pressures as a reference rate, therefore tires must be inflated to the prescribed pressure.

Each tire, including the spare one (if provided), should be checked monthly when cold and inflated to the inflation pressure recommended by the vehicle manufacturer on the vehicle placard or tire inflation pressure label. (If your vehicle has tires of a different size than that indicated on the vehicle placard or tire inflation pressure label, you should determine the proper tire inflation pressure for those tires.)

As an added safety feature, your vehicle has been equipped with a tire pressure monitoring system (TPMS) that illuminates a low tire pressure warning light when one or more of your tires is/are significantly under-inflated. Accordingly, when the low tire pressure warning light illuminates, you should stop and check your tires as soon as possible, and inflate them to the proper pressure. Driving on a significantly under-inflated tire causes the tire to overheat and can lead to tire failure. Under-inflation also reduces fuel efficiency and tire tread life, and may affect vehicle handling

and stopping ability.

Please note that the TPMS is not a substitute for proper tire maintenance, and it is the driver’s responsibility to maintain a correct tire pressure, even if under-inflation has not reached the level to trigger illumination of the TPMS low tire pressure warning light. Your vehicle has also been equipped with a TPMS malfunction indicator that indicates when the system is not operating properly. The TPMS malfunction indicator is combined with the low tire pressure warning light. When the system detects a malfunction, the warning light will flash for approximately one minute and then remain permanently illuminated. This sequence will continue upon subsequent vehicle start-ups as long as the malfunction persists.

When the malfunction indicator is illuminated, the system may not be able to detect or signal low tire pressure as intended. TPMS malfunctions may occur for a variety of reasons, including the installation of replacement or alternate tires or wheels on the



vehicle, that prevent the TPMS from functioning properly. Always check the TPMS malfunction warning light after replacing one or more tires or wheels on your vehicle, to ensure that the replacement or alternate tires and wheels allow the TPMS to continue to function properly.

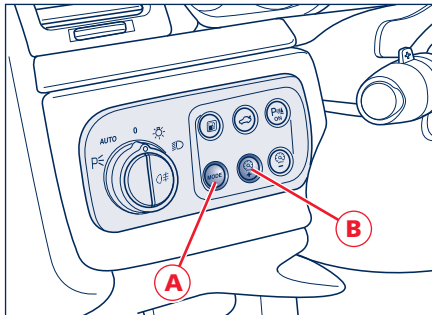
System calibration

The system must be calibrated:

- after replacing one or more tires
- after inverting the wheels
- if you are not sure whether at least one of the operations above was performed.

If you simply corrected the tire inflation pressure, you do not need to recalibrate the system.

To calibrate the system, select the screen page "TPMS calibration" by pressing the MODE button **A**.



Subsequently press and hold button "+" **B** to activate the calibration procedure.

This operation may be performed with the key at **MAR (ON)** and the engine off. The system will take a few seconds to complete the process, and during this time the green symbol (⚠) and the message "Calibration started" will be displayed.

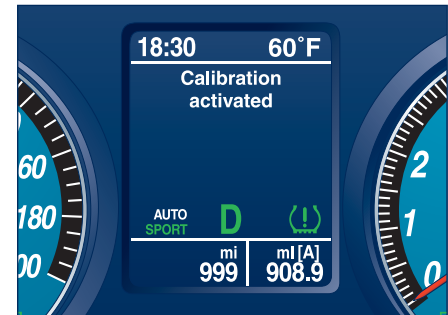
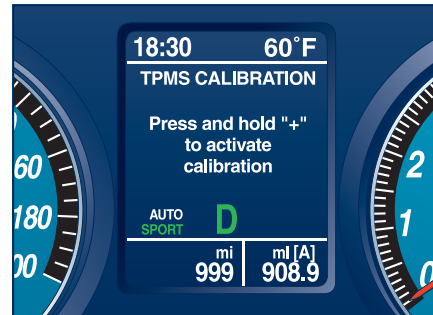
If the user recalls the information page showing the pressure levels of each tire, dashes "--.--" will be displayed in the place of the values.

WARNING: The system will not perform calibration if the pressure is below 29 PSI (2 bar).

Viewing messages on the display

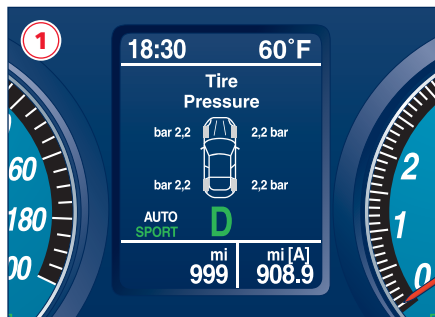
By pressing the MODE button **A** repeatedly (see on page 74), the user can access the information page that shows the pressure values of each tire ("Tire Pressure" page).

If system faults are found when this page is recalled, the same page will be replaced by an information message on the problem found. Also in this case, the information message will be displayed for a preset time. When the display time has elapsed, the "Tire Pressure" screen page becomes available again, but the summary symbol for the malfunction will remain displayed in the dedicated area, until the malfunction is corrected.



Normal conditions

By pressing the specific button for quick information display (MODE button **A** pressed briefly), the user can access the information page (screen page **1**), which displays the pressure levels for each tire.



Low tire pressure conditions

The system includes two alarm thresholds for monitoring the tire pressure, which respectively activate a “check tire pressure” indicator light and a “low tire inflation pressure” warning light, this last one will also warn the driver to stop driving.

The system also monitors the sudden loss of pressure (punctured tire) of one or more tires.

The first alert (check tire pressure indicator light) illuminates when the pressure of one or more tires falls below the low-pressure alarm threshold, corresponding to 90% of the pressure level set at the calibration.

The second warning alert (the low inflation pressure tire warning light – do not drive on message) activates when the pressure of one or more tires is below the minimum pressure alarm threshold, corresponding to 83% of the pressure level set at the calibration.

A tire puncture (a sudden loss of pressure) is signaled when the system detects a loss of pressure of one or more tires measured within a set time frame (0.35 bar/min). In this last case, ie a tire puncture detection, the system activates the low inflation pressure tire warning light – do not drive on message.

Note: To perform calibration of the system follow the indications from paragraph “System calibration” and apply the pressure level as indicated in chapter “Tire pressure”

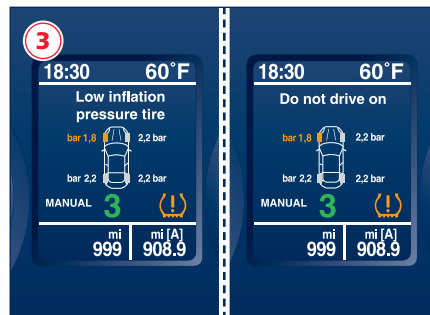
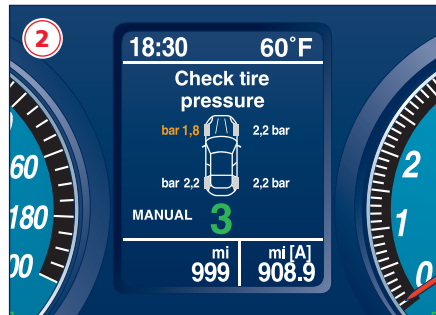


Tire pressure checkup

When the onboard instrument panel receives a message from the tire pressure ECU indicating that one or more tires have pressure levels below the control threshold, screen page 2 is displayed for 10 seconds, after which the system will display the screen page previously active. When the key is subsequently turned back to **MAR (ON)**, if the malfunction persists the display will show screen page 2 once again.

Low tire inflation pressure – Punctured tire

When the instrument cluster receives a signal from the tire pressure ECU indicating that the pressure level of one or more tires is below the alarm threshold or there is a sudden pressure loss (punctured tire), the warning light (⚠) will permanently illuminate on the instrument cluster and screen pages 3 will alternate on the display for 20 seconds. Every time the key is subsequently turned back to ON, if the malfunction persists the display will show screen pages 3 for 20 seconds. These screen pages will be displayed until the situation is corrected and the system is calibrated again as required by the system.



System not calibrated

In the event that: the system has not been calibrated or following replacement or reversal of one or more tires, the warning light (⚠) will illuminate on instrument panel, and the display will show screen page 4. Subsequently, the system will display the page previously active. The system can be calibrated by selecting the “TPMS calibration” page on the multifunction display. The information page that shows the pressure value for each tire cannot be recalled.

Tire pressure monitoring system failure

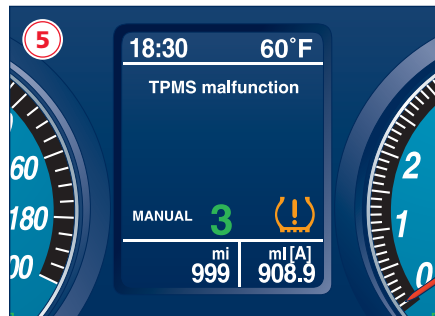
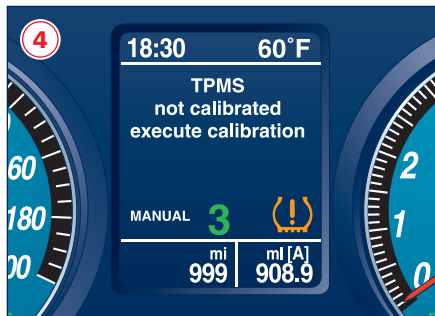
Screen page 5 may appear in the following cases:

- malfunction in the ECU system/wiring;
- no signal reception by one or more sensors due to malfunction, breakage or dead battery;
- ECU malfunction.

The display sequence follows the usual logic of malfunctions. Therefore, after 10 seconds, the display will show the screen page that was active before the malfunction occurred.

In addition to screen page 5 being displayed, the warning light (⚠), which is permanently illuminated on the instrument panel, will flash for 90 seconds, after which it will remain permanently on until the situation is corrected. The information page that shows the pressure value for each tire cannot be recalled by the user.

*Note: The TPMS malfunction indicator is combined with the low tire pressure telltale. When the system detects a malfunction, the telltale will flash for approximately 90 seconds and then remain continuously illuminated.” Once the system detects a failure, you must go to the **Authorized Maserati Dealer** to fix the problem and extinguish the malfunction light.*





Parking sensors

To assist the driver during parking maneuvers, the vehicle is equipped with four sensors housed in the rear bumper and four sensor in the front bumper.

During parking manoeuvres, the parking sensors provide the driver with information on the distance between obstacles found behind and in front of the vehicle. The information about the obstacle distance is given to the driver by means of a acoustic and visual signals. The acoustic signals generated by the system add to the driver's field of vision, allowing him to avoid hitting any obstacles during manoeuvres.



However, the driver remains responsible during parking manoeuvres and in other potentially dangerous situations. The system has actually been designed only as a supplementary aid during parking manoeuvres, since it allows the driver to detect obstacles outside his field of vision.



Extreme caution is required in case of obstacles whose shape and volume are susceptible to be incorrectly detected. When starting the vehicle after parking, these obstacles might not be detected if they are already close to the bumper. Always stop when the acoustic signal becomes steady.

Rear four-sensor system activation/deactivation

Rear sensors are automatically activated when the key is turned to **MAR (ON)** and when the vehicle is put into reverse. A beeper alerts the driver that the system is activated. Under these conditions, the system displays the detection areas of vehicle's rear end on the instrument panel and a beep starts as soon as an obstacle is detected. When the vehicle is put out of reverse, the rear sensors are active for an additional 10 seconds or until the vehicle exceeds a speed of approx. 6 mph (10 km/h).

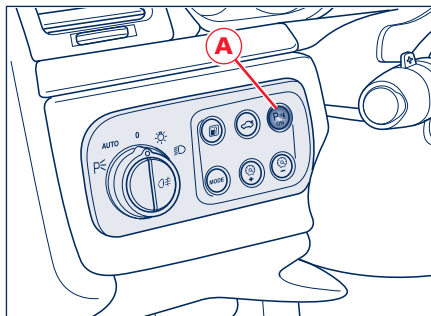
Stop & Go function

This function is activated by the manufacturer and can be deactivated by the Multi Media System by accessing the "Configuration" menu. To deactivate, select the "Define vehicle parameters" option, then select "Stop & Go parking sensors" and set on "Deactivate". When vehicle speed is 6 mph (10 km/h) or lower, this function aids the driver in certain traffic conditions, as it signals that the vehicle ahead is at the minimum distance.

Eight-sensor system with Stop & Go Function activated

When the Stop & Go function is activated, all sensors are automatically activated with the key set to **MAR (ON)** but they are not displayed on the instrument panel. When the vehicle is put into reverse or an obstacle is detected, the corresponding detection areas are displayed on the instrument panel. When the vehicle is put out of reverse, all sensors remain active: the rear sensors for approx. 10 seconds or until the vehicle exceeds approx. 6 mph (10 km/h), and the front sensors until the vehicle exceeds approx. 6 mph (10 km/h). At a speed of 6 mph (10 km/h) or lower, the front sensor detection areas are displayed as soon as the system detects an obstacle and the beeper sounds. If no obstacle is detected for 10 seconds, the displayed information disappears.

Front sensors can be temporarily deactivated by pressing pushbutton **A**: the system will sound a beep and the pushbutton LED will turn off. When pushbutton **A** is pressed again, the sounding of a beep and the LED turned on will alert the driver that the sensors are now active again.



Eight-sensor system with Stop & Go function deactivated

With the Stop & Go function deactivated by the Multi Media System, the rear sensor activation/deactivation operating logic remains unchanged. For the front sensors, the Stop & Go function signal status will not change if pushbutton **A** is pressed, and the front sensors will be active and displayed on the instrument panel as long as vehicle speed is 6 mph (10 km/h) or lower. When the vehicle goes over this speed but then slows to 6 mph (10 km/h) or lower, the sensors will not be activated. To reactivate them, press pushbutton **A**.

WARNING: Front sensors are activated only when the LED on pushbutton **A** is on. In addition, the system will ignore the pressing of pushbutton **A** when vehicle speed is over 6 mph (10 km/h).



Obstacle signaling

The acoustic signals are emitted by two buzzers, one under the dashboard and one in proximity of the luggage shelf.

When the obstacle is located at a distance of less than 14 in (35 cm) from the bumper, the beep is continuous. The warning beep stops immediately if the distance between the vehicle and the obstacle increases. The tone cycle is constant if the distance measured by the central sensors remains unaltered, while if this occurs with the lateral sensors, the signal stops after approximately 7 seconds, to prevent for example continuous beeps in the event of manoeuvres alongside walls.

The distance from the obstacles can also be graphically shown on the instrument panel display by means of an image that shows the vehicle surrounded by explanatory symbols of the distance (maximum/average/minimum) and the position (front/rear/central/side) of the obstacle detected.

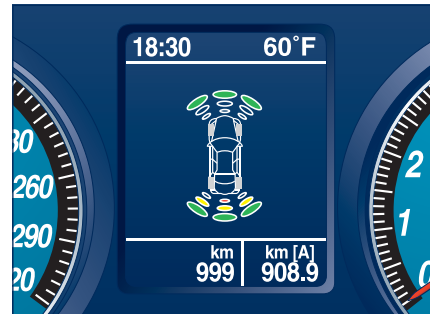
The colour represents the distance, while the field represents the position. The green color represents the maximum distance detected, the yellow colour the medium distance

and the red colour the minimum one. If the vehicle is equipped only with rear sensors, the front sensors are not shown in the image.

If the vehicle is equipped with front and rear sensors, the rear sensors are not shown in the image if only the front sensors are active.



For the system to operate correctly the sensors positioned on the bumper must be kept clean (remove any mud, dirt, snow or ice).



Cleaning the sensors

When cleaning the sensors, take special care not to scratch or damage them; therefore, do not use dry, rough or hard cloth.

The sensors must be washed with clean water, possibly with car shampoo added.

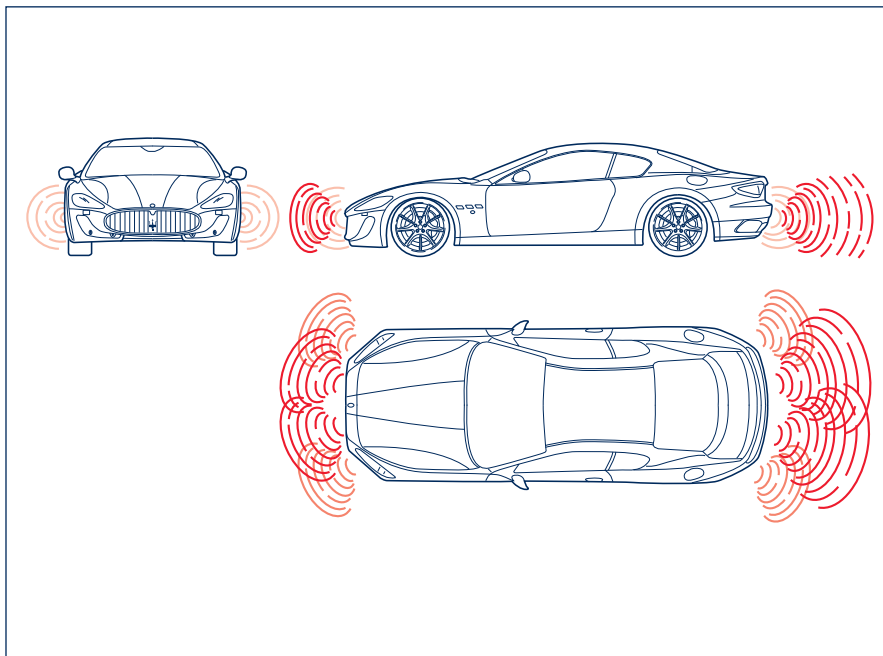
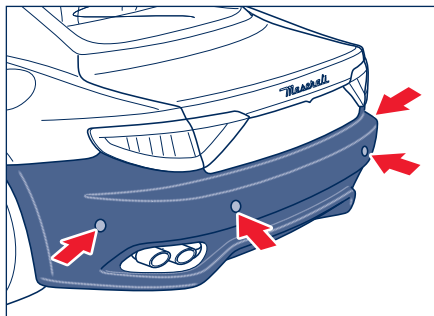
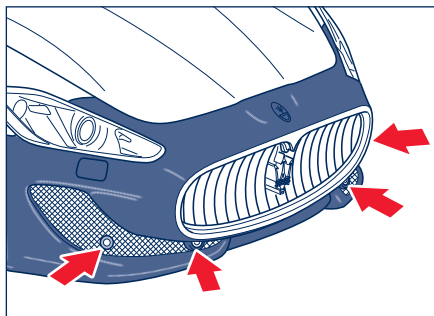
Should you need to repaint the bumper or in case of paint touch-ups in the sensor area, please contact exclusively the **Authorized Maserati Dealer**. Incorrect paint application could affect the parking sensor operation.

Sensor range

The sensors allow the system to monitor the front and rear of the vehicle; they are positioned so as to monitor the central and lateral zones at the front and at the rear of the vehicle.

In the event of an obstacle located in a central area, this will be detected at distances of less than 1 yd (0,9 m)


at the front and 1.6 yd (1,50 m) at the rear, depending on the type of obstacle and its dimensions.
If the obstacle is located in a lateral position, it will be detected at distances of less than 0.9 yd (0,8 m).





Failure indicators

The system ECU is designed to check all the components every time reverse gear is engaged.

In the event that the parking sensors fail, the relative warning light  illuminates on the display, accompanied by the message "Parking Sensor Failure".

In the event of a failure signal, stop the vehicle and turn the ignition key to **STOP (OFF)**. Then try cleaning the sensors or moving the vehicle away from any possible ultrasound sources (e.g. pneumatic truck brakes or pneumatic hammers) and rotate the ignition key to the **MAR (ON)** position. If the cause of the operating fault has been eliminated, full operation of the system will be recovered. If however, the failure beep continues, contact the **Authorized Maserati Dealer** to have the system checked.



During parking manoeuvres, always be extremely careful with obstacles that might be located above or below the sensors. In fact, in certain circumstances, objects located near the rear of the vehicle are not detected by the system and therefore could damage the vehicle or be damaged themselves.




The signals transmitted by the sensors can also be altered by damage to the sensors or by dirt, snow or ice on the latter or even by mechanisms which emit ultrasonic frequencies (e.g. pneumatic truck brakes or pneumatic hammers) in the vicinity of the vehicle.



The driver is fully responsible for parking and other potentially dangerous manoeuvres. During these manoeuvres, always make sure there are no people (especially children) or animals in the manoeuvring area. The parking sensors must be considered an aid for the driver who, ultimately, must always take care during potentially dangerous manoeuvres, even at low speeds.

Fuel cut-off inertia switch

The vehicle is equipped with a safety switch which is designed to activate in the event of a collision, cutting off the fuel supply and consequently causing the engine to stop. It also prevents fuel spreading if the fuel lines are damaged during the accident. Activation of the safety switch is signaled by the illumination of the warning light  on the display. The switch is positioned underneath the front left-hand seat.



After a collision, if you smell fuel or note any leakage from the fuel supply system, do not reactivate the switch in order to prevent any fire risks.

The activation of the inertia switch causes all the doors and the luggage compartment to unlock and in the internal dome light and the four direction indicators to turn on.



**California Proposition 65
Warning**

**THIS MOTOR VEHICLE CONTAINS
CHEMICALS KNOWN TO THE
STATE OF CALIFORNIA TO CAUSE
CANCER, BIRTH DEFECTS OR OTHER
REPRODUCTIVE HARM (see page 7)**


Resetting the switch

Turn the ignition key to position **STOP (OFF)**.

Check that there is no leakage from the fuel system.

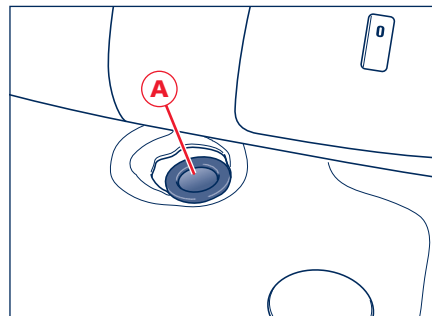
If no leaks are found, reset the inertia switch which stops the fuel pump operation, by pressing button **A** on the switch.

Turn the ignition key to position **MAR (ON)**, wait a few seconds and move it to **ACC**.

Check that the warning light  on the display is off.

Check once again that there are no fuel leaks.

Note: Contact an Authorized Maserati Dealer.







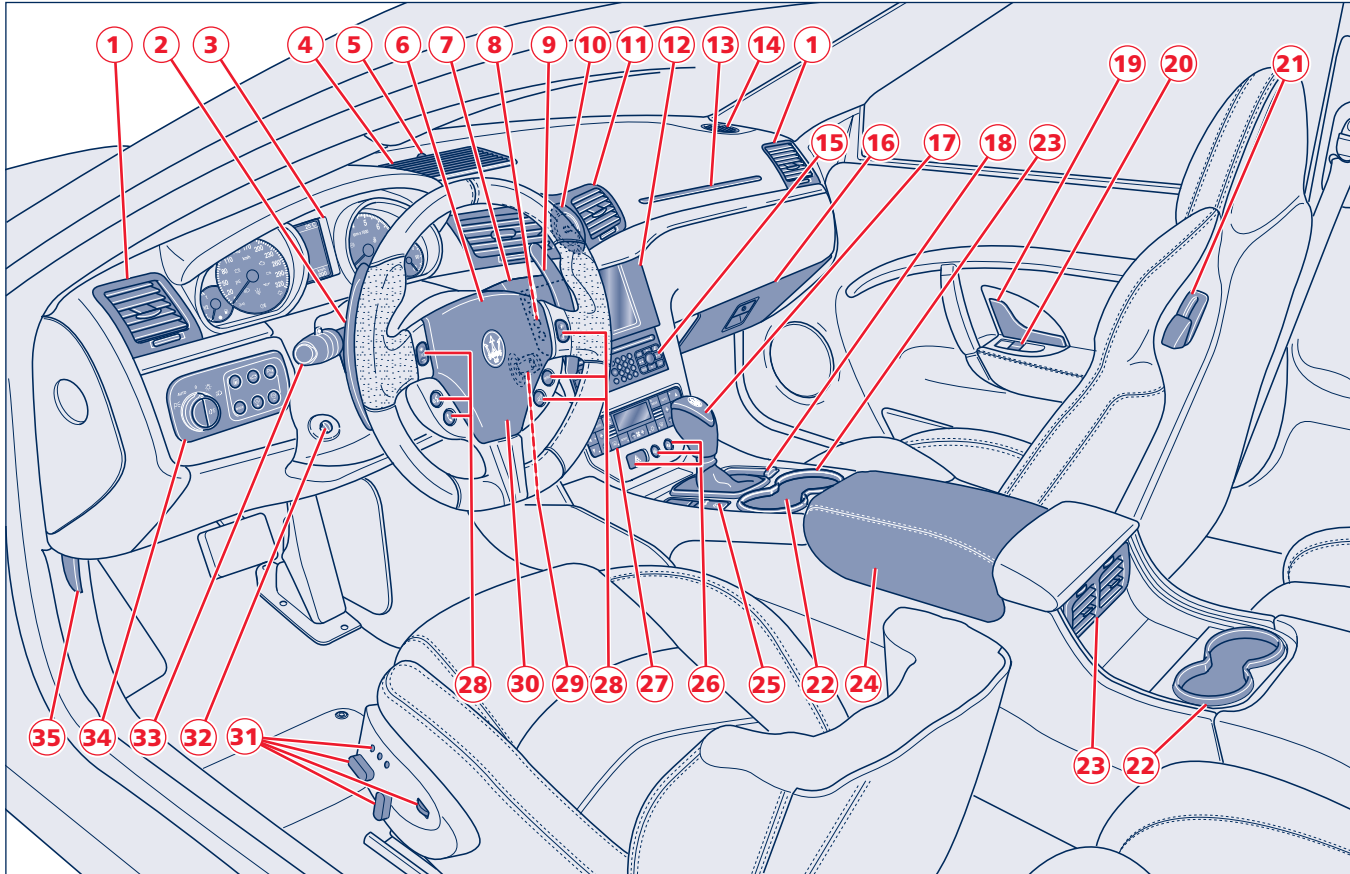
Instruments and controls

Dashboard	60
Instrument panel	65
Controls and warning lights	66
Instruments and gauges	72
Controls	77
Internal equipment	82



Dashboard

3



60



- 1) Air conditioning side vents
- 2) Lower gearshift paddle DOWN
- 3) Instrument panel
- 4) Air conditioning upper vent
- 5) Sun radiation sensor
- 6) Driver's airbag
- 7) Windshield/headlight wiper/washer control lever
- 8) Side buttons, to the left of the Multi Media System Display
- 9) Upper gearshift paddle UP
- 10) Clock
- 11) Central air-conditioning vents
- 12) Multi Media System display
- 13) Passenger's airbag
- 14) Side window vents
- 15) Multi Media System controls
- 16) Glove compartment
- 17) Automatic gearshift lever
- 18) Ashtray and cigarette lighter
- 19) Internal passenger's door opening handle
- 20) Passenger's door power window control
- 21) Passenger seatback tilting lever
- 22) Beverage holder
- 23) Air conditioning rear vents
- 24) Pocket-change compartment
- 25) Electric parking brake engagement/disengagement lever
- 26) Buttons underneath air conditioning controls
- 27) Air conditioning controls
- 28) Multi Media System controls repeated on the steering wheel
- 29) Starter/steering wheel lock switch
- 30) Horn control
- 31) Seat adjustment controls
- 32) Steering wheel height and depth adjustment control
- 33) Lever controlling cruise control, direction indicators, high beams and flashing headlights
- 34) Controls to the left of the steering wheel
- 35) Engine compartment lid opening lever

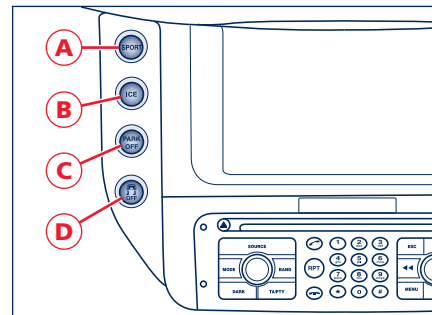
Ref. 8 Side buttons, to the left of the Multi Media System Display

A - SPORT mode button

B - Low grip mode button (ICE)

C - PARK OFF function button (see page 163)

D - ESC OFF system deactivation button





Ref. 27 Buttons underneath air conditioning controls

- A - Hazard light button
- B - Door lock/unlock button

Ref. 29 Multi Media System controls repeated on the steering wheel

- A - Increases the sound system volume.
- B - Decreases the sound system volume.
- C - Voice control function activation/deactivation.
Navigator Mode: Enables the guiding voice during the trip guidance and also displays information pertaining to the guidance session.
- D - **Button pressed briefly**
Telematic mode activation.
Place call, paired telephone.
Accept incoming call, paired telephone.
End call in progress, paired telephone.

Button pressed at length

Reject incoming telephone call, paired telephone.

E - Button pressed briefly

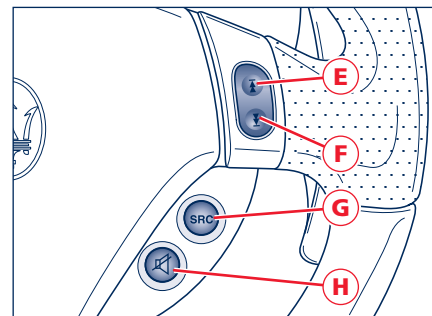
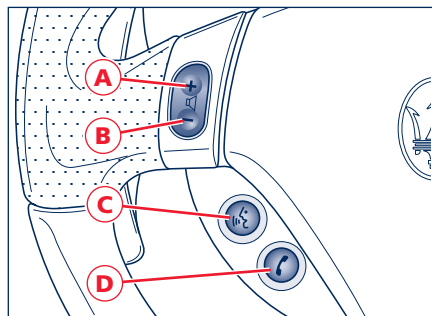
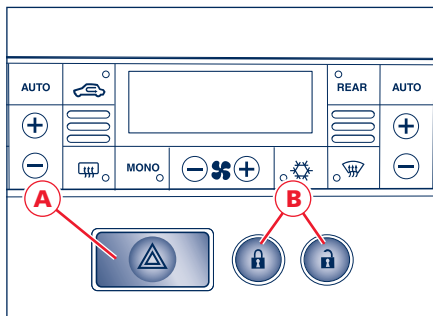
Radio mode: Search for the first tuneable station with higher frequency.

SIRIUS satellite radio mode (where available): goes to the next category starting from the one currently selected.

CD, Jukebox, USB and iPod Mode: next track selection.

Button pressed at length

CD, Jukebox, USB and iPod mode: track fast forward.



F - Button pressed briefly

Radio mode: Searches for the first tunable station with a lower frequency.

SIRIUS satellite radio mode (where available): goes to the previous category starting from the one currently selected.

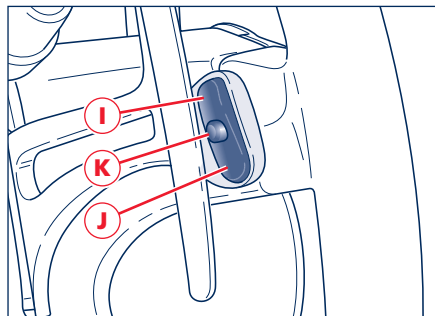
CD, Jukebox, USB and iPod Mode: goes to previous track if selected within the first 3 seconds of track playing, otherwise the track is played again from the beginning.

Button pressed at length

CD, Jukebox, USB and iPod mode: track fast rewind.

G - Mode selection: radio, CD, Jukebox or iPod.

H - Mute function on/off.



I - Radio mode: radio frequency shift to the next station in preset steps, starting from the station currently tuned in.

SIRIUS satellite radio mode (where available): shifts the radio channel to the next station in preset steps, starting from the station currently tuned in.

CD, MP3, Jukebox, USB and iPod Mode: selects the next folder. Menu: scrolls through the menus.

J - Radio mode: shifts the radio frequency to the previous station in preset steps, starting from the station currently tuned in. SIRIUS satellite radio mode (where available): shifts the previous radio channel starting from the station currently tuned in.

CD, MP3, Jukebox, USB and iPod Mode: selects the previous folder. Menu: scrolls through the menus.

K - Confirms the function, item or value selected.

Ref. 35 Controls to the left of the steering wheel

A - Light switch

B - Fuel tank door opening button

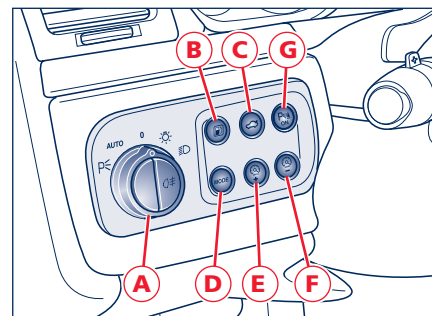
C - Luggage compartment lid opening button

D - Mode button

E - Instrument panel brightness control (UP)

F - Instrument panel brightness control (DOWN)

G - Front parking sensors enable/disable.





Controls on driver's door

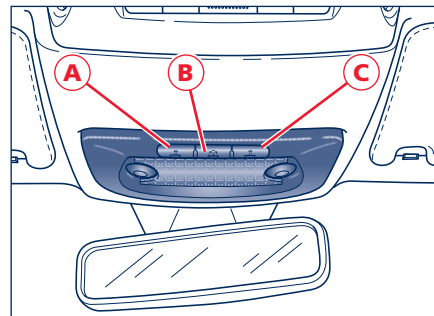
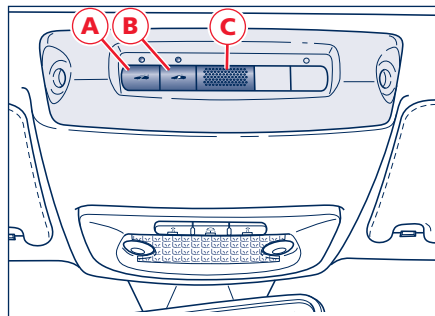
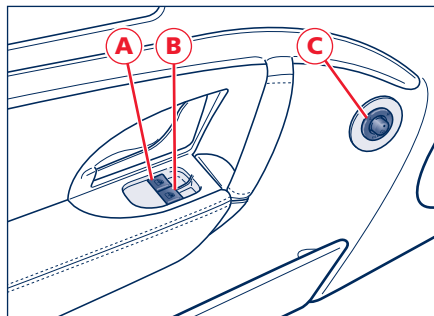
- A** - Front left-hand power window control
- B** - Front right-hand power window control
- C** - External rear-view mirror controls

Controls on inside roof

- A** - Anti-lift alarm system deactivation
- B** - Alarm system motion sensor deactivation
- C** - Paired telephone hands-free microphone

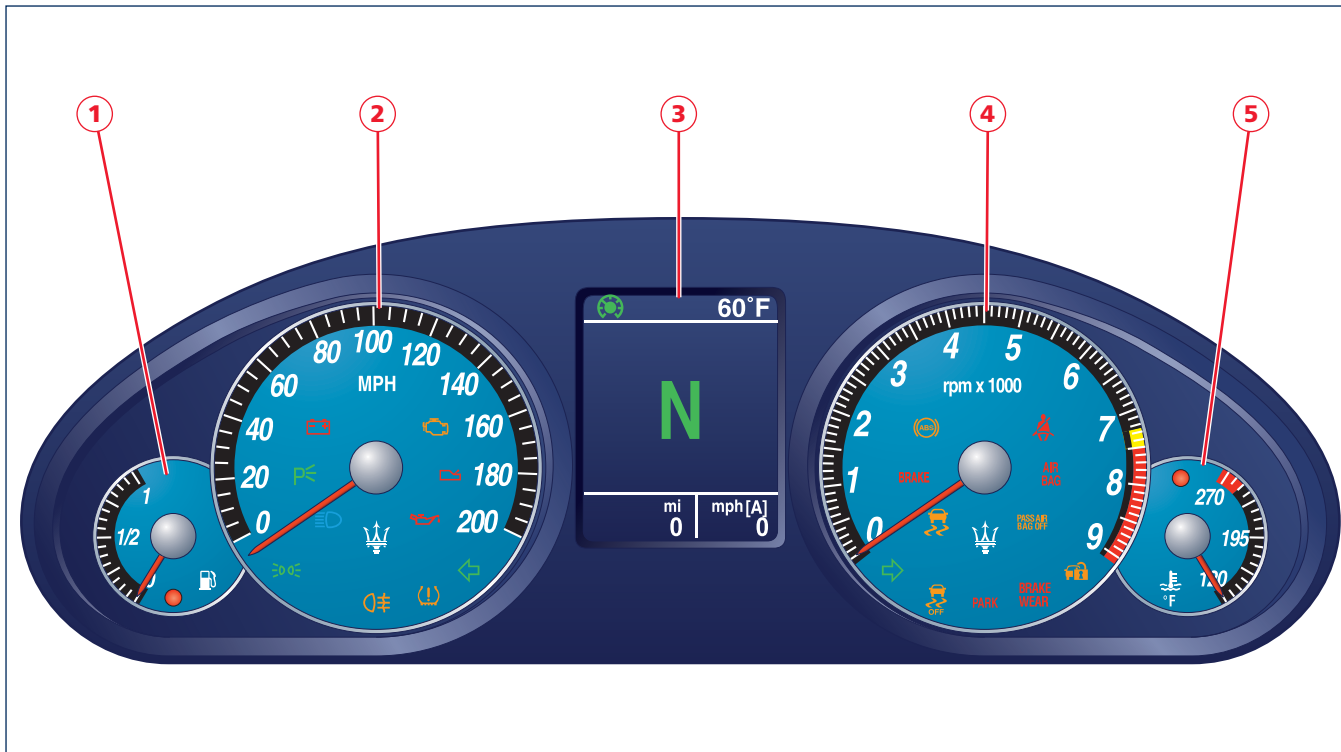
Controls on front dome light

- A** - LH side light switch
- B** - Central light switch
- C** - RH side light switch



Instrument panel

- 1) Fuel level gauge and low fuel indicator
- 2) Speedometer
- 3) Display
- 4) Tachometer
- 5) Coolant thermometer and high temperature warning light





Controls and warning lights



Rear fog lights

When the rear fog lights are turned on.



Position lights/low beams

This warning light illuminates when the position lights, low beams or parking lights are turned on.



High beams

When the high beams are turned on or used to flash.



Parking lights

With the key removed, it indicates that the parking lights are on.



Alternator failure


This warning light illuminates when there is a fault in the charging system. When the battery is insufficiently charged or overcharged (flashing).



Engine failure control system (OBDII) (*)

In normal conditions, this warning light should illuminate when the ignition key is turned to **MAR (ON)** and should go off as soon as the engine is started. This will show that, the warning light is working properly. If the warning light remains on or illuminates while driving, it indicates that there is a failure in the fuel supply/ignition and emission control system. This failure could cause high exhaust emissions, loss of performance, poor vehicle handling and high consumption levels.

In these conditions you can proceed slowly without demanding engine performance. Prolonged use of the vehicle when this warning light is illuminated may cause damage. For this reason, you should contact your **Authorized Maserati Dealer** as soon as possible. The warning light will go off if the problem is no longer present. The error will be stored by the system in any case.

WARNING: When the ignition key is turned to **MAR (ON)**, if the warning light  does not illuminate or if it illuminates while driving, contact your **Authorized Maserati Dealer** as soon as possible.



Automatic gearbox failure (*)

Depending on the message displayed it signals:

- a gearbox failure.

If the failure permits, slowly drive to the nearest **Authorized Maserati Dealer**.

- a too high temperature of the gearbox oil.

In this case, slow down until the temperature goes down to the normal values for use (the warning light goes off), see page 144.



Low oil pressure (*)

Under normal conditions, the warning light should illuminate when the ignition key is turned to **MAR (ON)** and should go off as soon as the engine is started. If the warning light remains on or illuminates while driving, this indicates a too low engine oil pressure.

In this case, turn the engine off immediately and carry out the necessary checks.

If the problem persists, contact your **Authorized Maserati Dealer**.





Tire pressure (TPMS) (*)

This warning light is connected to the Tire

Pressure Monitoring System (TPMS). It illuminates when the system detects an insufficient tire pressure or a sudden loss of pressure (punctured tire) of one or more tires.

If the warning light flashes prior to remain on, it indicates that the system is temporarily unavailable.



Low brake fluid warning light (*)

This warning light

illuminates when the brake fluid level drops below the minimum level. If accompanied by a specific message, it indicates an EBD system failure. In this case, do not apply the brakes suddenly, since this may cause an early locking of the rear wheels. Driving extremely carefully, immediately go to the nearest **Authorized Maserati Dealer** to have the system checked.



If the warning light illuminates while driving, immediately check the brake fluid level. If the fluid is below the minimum level, there may be a leakage in the circuit. Contact your Authorized Maserati Dealer before driving further.



Defective ABS system (*)

This warning light illuminates when the

ABS system is not functioning. The standard braking system remains operational, but it is advisable to contact your **Authorized Maserati Dealer** as soon as possible.



Seat belts (*)

This warning light illuminates when the driver's seat belt is not fastened or improperly fastened. A buzzer is also activated when the warning light is on.



Airbag/pretensioner failure (*)

When the pretensioner and/or airbag system are/is defective.



Air Bag warning light malfunction (*)

The warning light flashes to indicate a malfunction of the "air bag/pretensioners warning light" AIR BAG.



Turning the key to MAR (ON), the warning light illuminates but should go off after a few seconds with the engine running.



If the warning remains on or stays on or if it does not illuminate or if it illuminates while driving, contact your Authorized Maserati Dealer as soon as possible.



Maserati CODE (*)

With the ignition key in **MAR (ON)** position,

the amber warning lights on the instrument panel and on the multi-function display illuminate when the system detects the following faults:

- Alarm system not available.
- Electronic key not detected.
- Have the vehicle protection system checked.

or when the user is informed of the following events:

- Vehicle break-in detected.
- Electronic key not recognized.

**Brake pads worn (*)**

This warning light illuminates on the instrument cluster (for versions/markets, where provided) when the brake pads have reached their wear limit. Please contact the **Authorized Maserati Dealer**.

**Parking brake engaged**

This warning light illuminates when the parking brake is applied.

**ESC system malfunction (*)**

Indicates a malfunction in the ESC system. Please contact your **Authorized Maserati Dealer**.

**Overriding the ESC system (*)**

This lights up when the ESC system is overridden.

**Right-hand side indicators**

This warning light illuminates when the right-hand direction indicators or the hazard lights are turned on.

**Left-hand direction indicators**

This warning light illuminates when the left-hand direction indicators or the hazard lights are turned on.

Warning lights on the display**Brake Pads Wear Warning Light**

It turns on to indicate that the brake pads have reached their wear limit.

The display will show the warning light and the message "Check Brake Pads".

The warning light and the message will be displayed for 10 seconds. Please contact an **Authorized Maserati Dealer**.

**Inertia switch, fuel cut-out enabled**

This warning light illuminates when a collision activates the inertia switch, thus cutting off the fuel supply.



After a collision, if you smell fuel or note leakages from the fuel system, do not reactivate the switch in order to prevent the risk of fire.

**Windshield washer fluid**

This warning light signals a low level of washer fluid in the windshield washer tank.

(*) Viewed on the display as well



Cruise Control

This warning light indicates that the constant speed regulator, Cruise Control, is active.



Lighting system failure

This warning light illuminates in the case of a system failure or burning-out of the position, direction indicator, rear fog and license plate light bulbs.



Stop light failure

This warning light illuminates in the case of a system failure or burning-out of the stop light bulbs.



Twilight sensor failure

This warning light illuminates in the case of a failure of the twilight sensor.



Catalyst temperature too high

This warning light illuminates if the engine runs irregularly with consequent high temperature in the exhaust system.



California Proposition 65 Warning

THIS MOTOR VEHICLE CONTAINS CHEMICALS KNOWN TO THE STATE OF CALIFORNIA TO CAUSE CANCER, BIRTH DEFECTS OR OTHER REPRODUCTIVE HARM (see page 7)



IF THE WARNING LIGHT IS ACCOMPANIED BY THE MESSAGE "HIGH CATALYTIC CONV. TEMPERATURE SLOW DOWN": the catalytic converter temperature is too high. The driver must slow down immediately until the warning light turns off.



IF THE MESSAGE "EXCESSIVE CATALYTIC CONV. TEMPERATURE DO NOT PROCEED" APPEARS AFTER DECELERATING: the temperature in the catalytic converters has reached a dangerous level and the catalytic converters could be damaged. Drive slowly to the nearest workshop.



If the warning light illuminates 3 times, the engine will stop. The engine can only be restarted turning the key to off and then back to on. Go to the nearest Authorized Maserati Dealer driving at reduced speed.



Maserati declines all responsibility for personal injuries or property damage deriving from non compliance with the above mentioned warnings.



Power steering failure

This warning light indicates that the power steering system is malfunctioning. Drive slowly to the nearest **Authorized Maserati Dealer**, being extremely careful as steering effort may increase.



Low engine oil level

This warning light indicates that the engine oil level is low; to check it see page 214.



Low Automatic gearbox oil level

The red symbol indicates that the gearbox oil level is too low. Stop the vehicle and contact your **Authorized Maserati Dealer** to have the system checked.



Excessive coolant temperature

Coupled to the “Coolant thermometer”, it comes on together with the warning light on the instrument panel and indicates an excessive temperature of the coolant. In this condition, stop the vehicle and have the cooling system checked by your **Authorized Maserati Dealer**.



ALC system failure

This warning light indicates a failure of the automatic headlight aiming system.



ASR system failure

This warning light indicates the deactivation or failure of the ASR system. In the event of a failure, contact your **Authorized Maserati Dealer**.



Rain sensor failure

This warning light indicates that the rain sensor is faulty.



Parking sensor failure

This warning light indicates that the parking sensor system is faulty.



Shock absorber failure

While driving, it indicates a malfunction in the suspension system.



Doors and lids open

This warning light indicates that the doors or lids are open or not properly closed; the display also shows an image of the vehicle with the part not closed highlighted in red.

WARNING: Before starting off, close any doors and lids that are open or not properly closed.



Ice hazard

This warning light illuminates when the outside temperature is 37.4 °F (3° C) or lower, in order to indicate the risk of icy road surfaces. Under such conditions, drive carefully and slow down as the grip of the tires could be markedly reduced.



Do not activate SPORT mode in this situation.



Vehicle set to SPORT

When the button that sets the vehicle to the SPORT mode is pressed.

WARNING: SPORT mode changes the vehicle driving features.

WARNING: SPORT mode should not be activated if the road surface is in poor conditions or or slippery.

WARNING: In low- and medium-grip conditions (e.g., rain, snow, ice, sand, etc.) it is advisable not to activate SPORT mode, even with the ESC enabled.



EPB automatic operation disabled

This warning light indicates that the EPB automatic activation/deactivation function is disabled.



Automatic gearbox

This warning light indicates that the automatic gearbox feature is active.



“Low grip” function

This warning light indicates that the low grip function is active.



Seat heating

This warning light indicates that the heating function is activated on one or more seats.



Fuel economy

While driving, the system will indicate that you should shift gears in order to optimize fuel consumption when the required speed is reached.

The recommended gearshift indicator will only work when the gearbox is set to manual sequential operation.



Maintenance Schedule

Depending on the accompanying message, this indicates that maintenance schedule deadlines are either approaching or due.

Upon reaching a deadline, contact your **Authorized Maserati Dealer**.



Instruments and gauges

Fuel gauge

The illumination of the warning light inside the gauge indicates that there are approx. 4.7 U.S. gal (18 liters) of fuel in the tank.

If the pointer positions on 0 (beginning of scale) and the fuel reserve warning light flashes, this indicates a system malfunction.

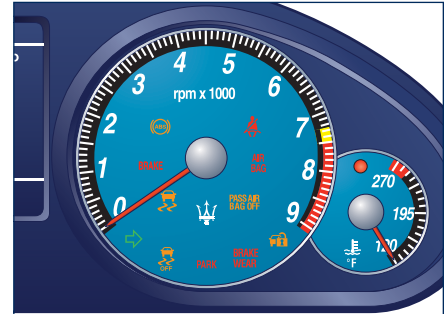
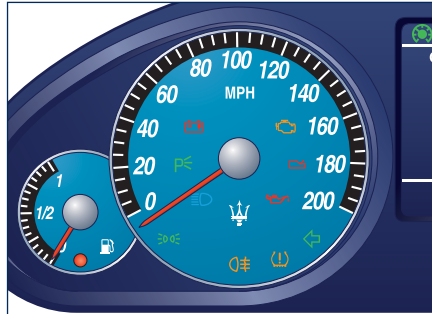
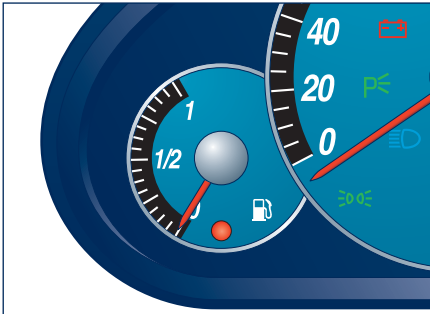
In this case, contact the **Authorized Maserati Dealer** to have the system checked.

Speedometer

It indicates the vehicle speed. The gauge starts providing data when 2.5 mph (4 km/h) are exceeded.

Tachometer

It indicates the engine RPM. Proper driving allows the driver to achieve proper engine performance, without the need of over-revving.



Coolant thermometer

It indicates the temperature of the coolant. If the needle indicates high temperatures and at the same time the warning light illuminates, stop the vehicle immediately and have the cooling system checked by your **Authorized Maserati Dealer**.

Display

Incorporated in the instrument panel, it performs the following functions:

- provides general information while driving;
- signals failures and warnings.

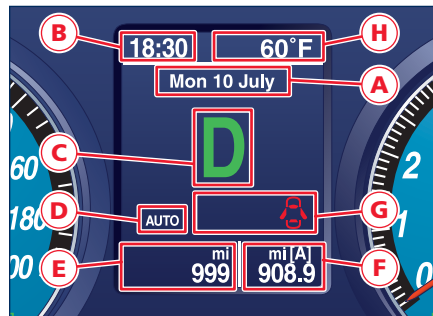
The user can interact with the system by setting the parameters for the information that can be recalled.

The screen page displayed following the initial check cycle, in normal operating conditions, (standard screen page) contains the following information:

- A - date
- B - time
- C - gear engaged
- D - driving mode

- E - total odometer
- F - trip odometer A, B or vehicle speed repeated
- G - other symbols that may be displayed as icons
- H - outside temperature.

From the set-up menu in the Multi Media System, the user can also choose to have the information displayed for the Audio, Navigator and Telephone repeated on the dashboard. For the relevant procedures and instructions, see the "Multi Media System" manual.





Controls

MODE

The screen page activation and setting are controlled by pressing the MODE J buttons, "+" K and "-" L. Pressing the MODE J button briefly will switch to the following screen pages in sequence:

- Trip A
- Trip B
- Tire pressure
- Left-hand front seat comfort
- Right-hand front seat comfort
- Option Selection
- TPMS calibration
- Standard.

Each of these has a 10-second timing, after which the non-flashing information previously viewed is restored.

Pressing the MODE J button at length (over 2 seconds) the user will select the Trip Odometer information currently displayed, or the Trip Odometer A if the tachometric repetition is active. This piece of information will flash for 10 seconds, after which the non-flashing information previously viewed is displayed once again.

"+" and "-"

By means of the "+" K and "-" L buttons, the user can adjust the instrument panel brightness.

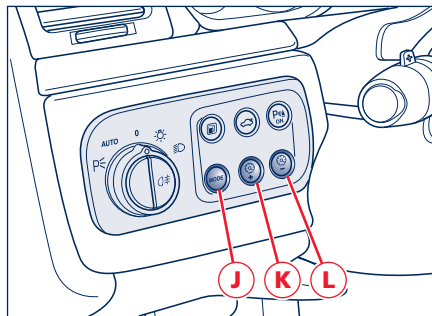
When the "Option Selection" screen page is viewed, these buttons can be used to select, choosing between Trip Odometer A and Trip Odometer B, the information to be repeated on the display. By selecting, Odo A or Odo B using the MODE J button and then pressing buttons "+" and "-", the user will display the trip information selected (flashing) alternately. When the "TPMS calibration" page is displayed, press button "+" to activate the calibration process.

Trip Odometer reset

In all these cases, and before the 10-second timing has elapsed, pressing the MODE J button briefly (less than 2 seconds) will reset the trip information relating to the flashing Odometer (A or B).

Setting the date

The date can be set by means of the set up menu of the Multi Media System (see Multi Media System Manual).



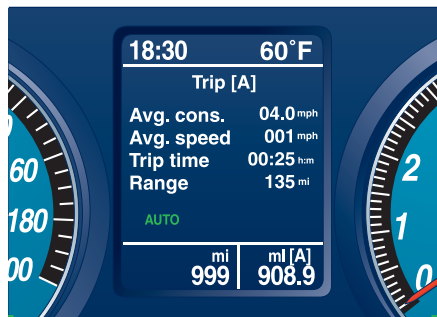
TRIP screen page

The Trip screen page is recalled by pressing the MODE J button; Each TRIP screen page (A or B) is timed, i.e., it is displayed for a maximum of 10 seconds, after which the screen page previously active is displayed once again.

When the TRIP A or TRIP B feature is active, the following information is viewed on the display:

- traveled distance (km - miles)
- average fuel consumption (km/l – mpg)
- average traveling speed (km/h - mph)
- trip time (hh:mm)
- fuel range (km – miles)

The unit for fuel consumption measurement can be adjusted by the user from the Multi Media System set-up menu.



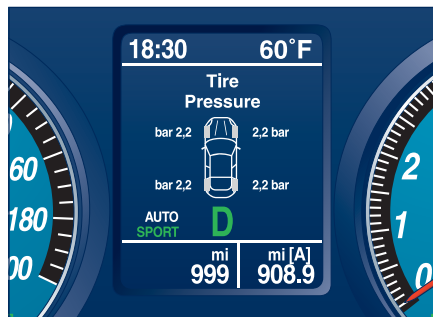
Tire pressure screen page

Pressing the MODE J button the user will display information about the “Tire Pressure”.

This screen page is displayed for 10 seconds and, in normal conditions, it will appear as shown in figure.

In addition, the system acknowledges the following conditions:

- system not calibrated
- system failure
- low pressure or puncture in one or more tires.



Comfort screen page

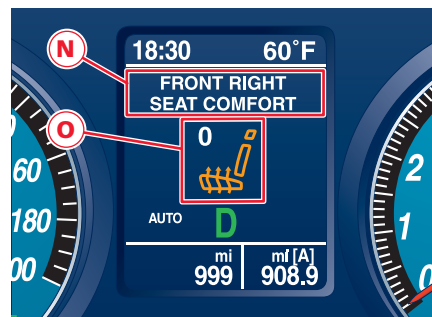
Repeatedly press the MODE J button to display the screen page showing the operating status of the heating system for each seat.

The user can view the following information:

N - Seat indication.

O - Heating level.

This screen page remains displayed for 10 seconds, as shown in figure.





Option Selection Screen Page

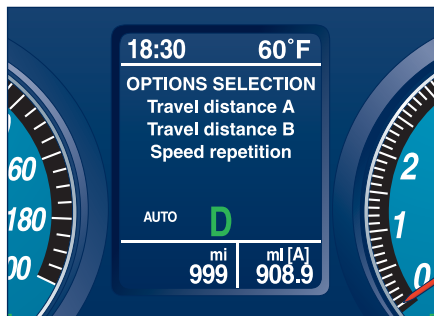
Briefly press the MODE J button to display the screen page and select the desired value among the following ones:

- TRIP A distance.
- TRIP B distance.
- Current speed repetition.

the value to be set, in the F area of the display, on the Standard screen page (see page 73).

This screen page remains displayed for 10 seconds, as shown in figure.

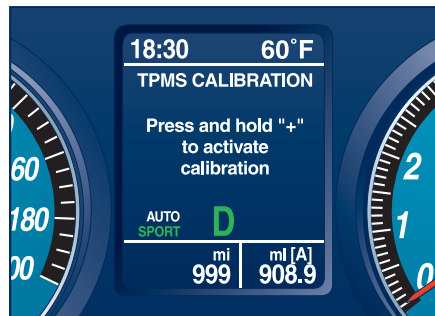
The options listed can be selected by pressing the "+" and "-" buttons and are confirmed by briefly pressing the MODE J button or simply not performing any operation for 10 seconds.



TPMS calibration page

In the event that: the system has not been calibrated, following replacement or reversal of one or more tires, the warning light (⚠) will illuminate on the instrument panel and the display will show the message warning the driver to calibrate the system.

To calibrate the system, you need to select the "TPMS calibration page" by pressing the MODE J button. Subsequently press and hold button "+" to activate the calibration process (see on page 48).



Multi Media System Configuration Menu

By accessing the Configuration mode, the user can set-up the vehicle features.

The parameters that can be set are the following:

- Display configuration
 - select the color (choosing between day/night mode or automatic setting)
 - adjust the brightness
- Sounds
 - voice control volume
 - voice synthesis setting
- Language selection (Italian, English, Spanish, German, French, Dutch)
- Define the vehicle parameters
 - speed limit
 - instrument panel buzzer volume
 - door and luggage compartment locking
 - info repetition on instrument panel
 - Stop & Go Parking sensors.

Controls


Horn

Press the horn symbol **A**, to activate the horn.

Controls to the left of the steering wheel

Rear fog lights

Press button **C** to turn on the rear fog lights. They only work when the low beams are on. The symbol on the button illuminates when the lights are on.

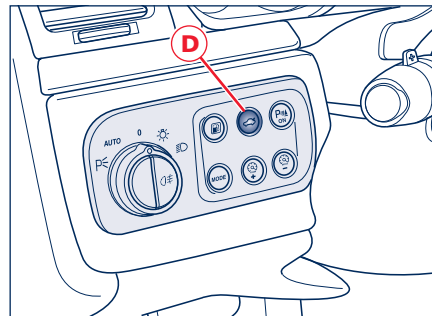
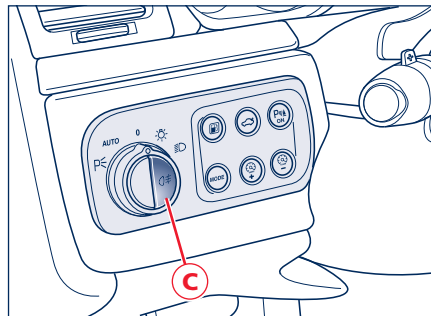
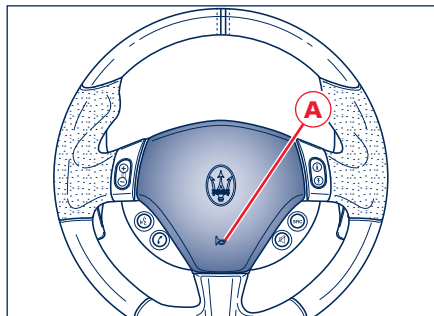
 **Do not use the rear fog lights in normal visibility conditions to avoid dazzling vehicles behind.**

Opening the luggage compartment

Press button **D** to open the luggage compartment lid.

It can be operated only when the ignition key is removed or turned to **STOP (OFF)** and **ACC**.

Vehicles are also equipped with a lever inside the luggage compartment, which permits opening from the inside.





Opening the fuel tank door

Press button **E** to open the fuel tank door on the rear right-hand side of the vehicle.

It can be operated only when the ignition key is removed or turned to **STOP (OFF)**.

Setting the brightness level of instruments and gauges

Press button **F** or **G** to increase or decrease the brightness of the instruments and gauges.

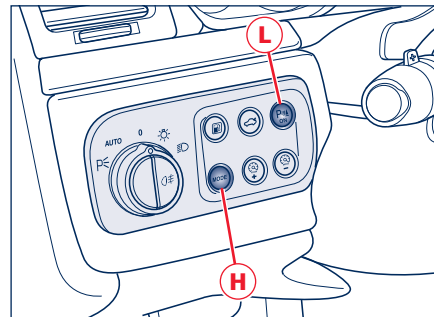
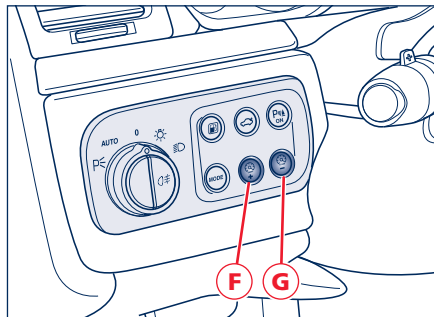
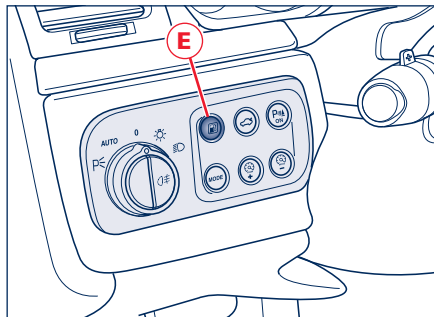
You can adjust the brightness both in daytime (headlights off) and nighttime (headlights on) mode.

MODE

Pressing button **H** will select the screen pages to be viewed on the instrument panel display.

Front parking sensors enable/disable

Front parking sensors can be disabled and enabled through button **L**, depending on the Stop & Go mode (see "Stop & Go function" on page 52).



Dashboard buttons

Hazard warning lights

Press button **M** to turn on the hazard lights. These lights will operate with the ignition key in any position. Press the button again to turn them off. When the hazard lights are on, the direction indicators, the relative warning lights on the instrument panel and the button itself flash.

WARNING: When the hazard warning lights are activated, the direction indicators control is disabled.

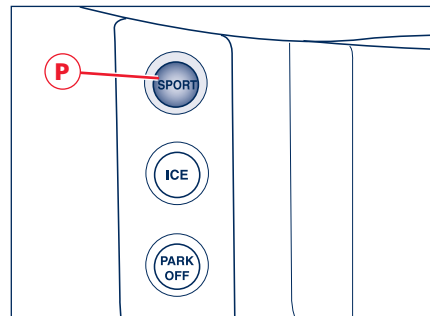
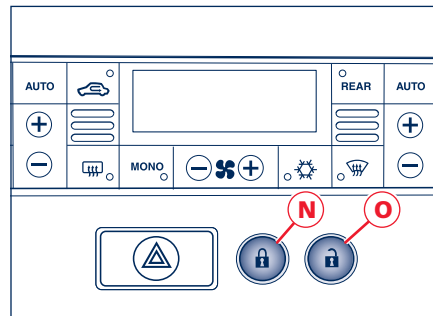
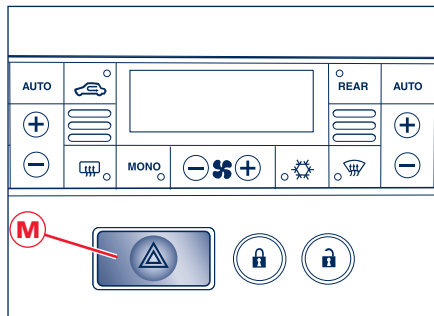
Door locking and unlocking

Buttons **N** and **O** control the locking and unlocking of the locks.

SPORT mode

Press the button **P** to select **SPORT** mode for a racing-style setting which acts on the following systems: suspension, traction control, automatic gearbox, and on exhaust opening.

Please note: that selecting **SPORT** mode will strongly decrease driving comfort, especially in city traffic and on uneven road surfaces.





Low Grip


This mode should be used on particularly slippery road surfaces (e.g., rain, snow, ice). To activate/deactivate this mode, press button **Q**. When this function is active, the word "ICE" illuminates on the display (see chapter "Other system function" on page 140).

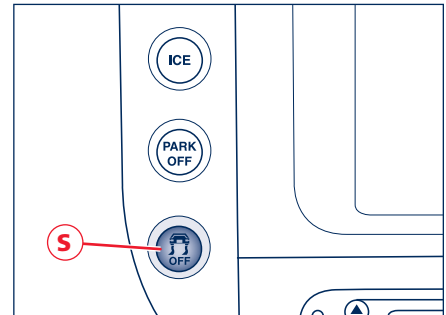
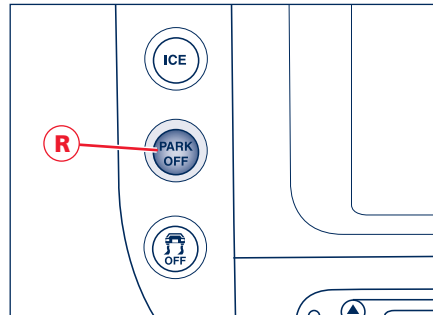
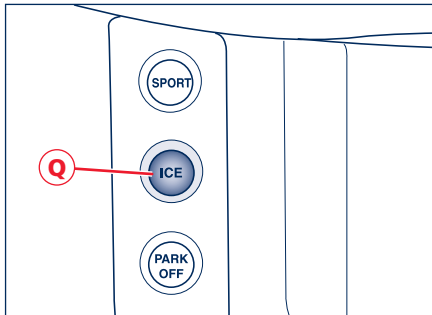
PARK OFF

This function disables the automatic activation of the electric parking brake (EPB) (see page 163). The EPB is deactivated/reactivated by pressing the **R** button.

ESC System

The ESC system is automatically activated every time the engine starts. While driving, it is possible to deactivate and reactivate the system by pressing button **S**. To avoid accidental deactivation, it is necessary to hold the button down for approximately 2 seconds to deactivate the ESC system.

When the system is deactivated, the amber light  lights up on the instrument panel and on the display, and the latter displays a specific message.



Roof panel buttons

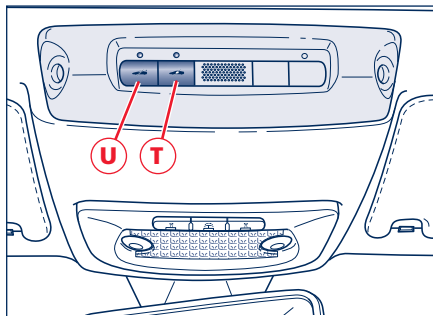
Deactivating the alarm system motion sensors

Press button **T** to deactivate the alarm motion sensing system. When this function is deactivated, the LED on the button flashes for 3 seconds and then turns off.

Anti-lift alarm system deactivation

Press button **U** to deactivate the anti-lift alarm. When this function is deactivated, the LED on the button flashes for 3 seconds and then turns off.

WARNING: Deactivation of the motion sensing and anti-lift alarm devices remains memorized until the following alarm system activation. Therefore, if these devices are deactivated but the alarm system is not activated within a very short time, their deactivation will remain memorized until the next system activation, regardless of whether the vehicle is on or off.





Internal equipment

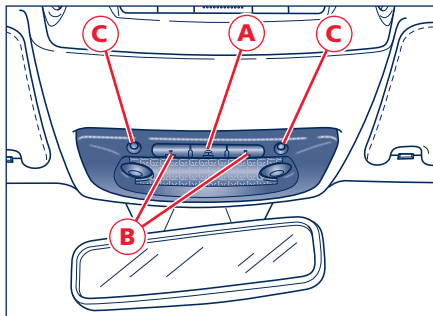
Front dome light

The dome light includes a central light and two reading lights. The central light, which turns on automatically when one of the doors is opened and turns off following the door closing (timed deactivation) may be turned on manually by pressing button **A**.

The reading lights are controlled by the relative buttons **B**.

If they are turned on pressing the button, both the central and reading lights will remain on for about 15 minutes after turning the engine off and will then turn off.

When the exterior lights are turned on, the two night LEDs **C** illuminate.



Opening one or more doors, the front and rear dome lights will turn on for approx. 3 minutes. If the door is closed before this time has elapsed, the lights will turn off after about 10 seconds.

Upon removing the key from the switch and activating the centralized door locking system with the remote control, the dome lamps turn on for about 10 seconds.

In the event of a collision causing the inertia switch activation, the dome lights turn on automatically for approx. 15 minutes.

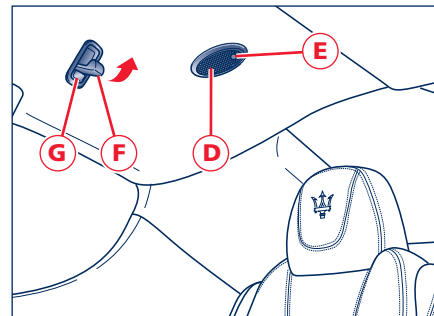
Rear dome light

The rear dome lights **D**, with automatic operation upon opening of one of the doors and timed deactivation, may be turned on/off manually by pressing the transparent button at point **E**.

Clothing hook

The hook **F** can be ejected by pressing button **G**.

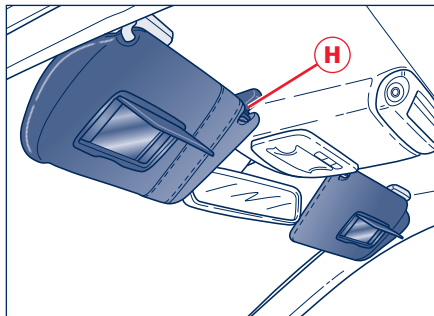
To close it, simply tilt it and push it back into its seating.



Sun visors

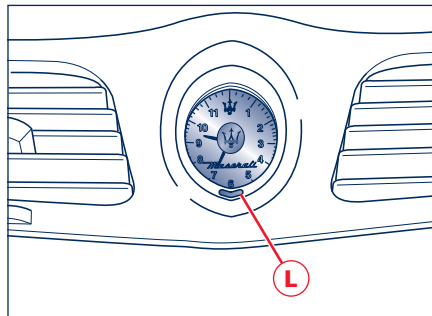
The sun visors can be folded to the front and to the side of the vehicle. To move the visor to the sides, lower and release it from the catch **H**.

By lowering the visor on the passenger's side you can access the courtesy mirror with incorporated light. This turns on automatically (with the ignition key in **MAR (ON)** position) when raising the mirror protective cover. Before raising the visor, close the mirror cover.



Clock

Press button **L** to set the clock:
brief pressure = slow adjustment
prolonged pressure = fast adjustment.
This illuminates when the external lights are turned on.



Front ashtray and cigarette lighter

They are found on the center console, under a cover. To open the cover, slide it forward.

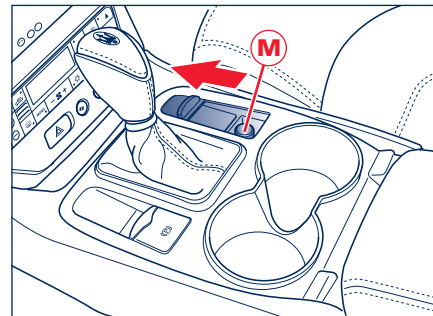
Press button **M** fully down to operate the cigarette lighter. After about 20 seconds this returns automatically to the initial position and is ready for use.

Remove the tray in order to clean the ashtray.

WARNING: Always check to ensure that the cigarette lighter has turned off.



The cigarette lighter reaches very high temperatures. Handle it carefully and do not allow children to use it: risk of fire and burns!





Front and rear beverage holders on center console

The front beverage holder is positioned behind the gearshift lever and the rear one on the center console between the two seats.

Glove compartment

The glove compartment is positioned in the lower part of the dashboard on the passenger's side, and can be opened by lifting the handle with lock **N**.

The glove compartment is equipped with a courtesy light that turns on automatically when the compartment door is opened and turns off when it is closed.



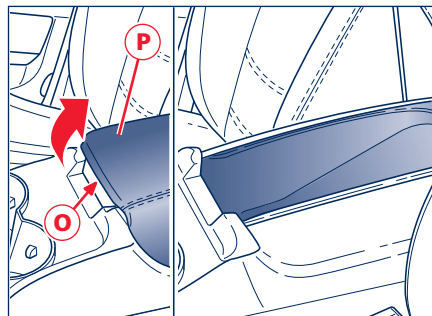
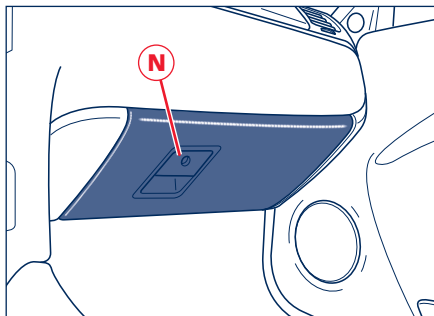
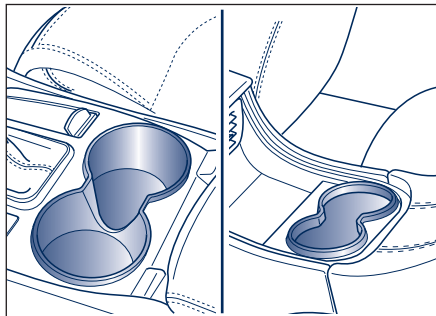
To help ensure passenger safety, the compartment must always remain closed while driving.

WARNING: Do not place objects weighing over 22 lb (10 kg) in the glove compartment.

Pocket-change compartment

The front armrest houses a glove compartment.

To access the compartment, lift the armrest **P** pulling on the internal handle **O**. To close the compartment, lower the armrest until the lock engages.

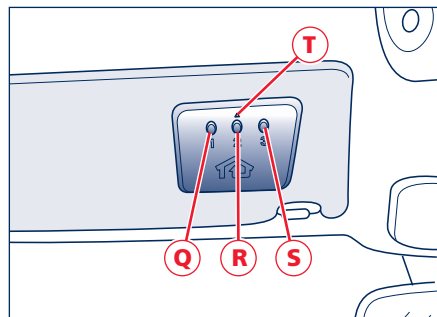




HomeLink

This system allows you to control automatic gate and garage door opening devices, as well as lighting or alarm systems from inside the vehicle. Programmable directly on the transmitting station by means of the original remote controls for the devices to be controlled, it adapts to the existing systems.

The control and programming panel is composed of three keys: **Q**, **R**, **S** and a LED **T**.



Customer Assistance

If you have problems with training the HomeLink Universal Transceiver, or would like information on home products that can be operated by the transmitter, call (800) 355-3515. On the Internet, go to www.Homelink.com.

Important Safety Precautions

Always refer to the operating instructions and safety information that came with your garage door opener or other equipment you intend to operate with the HomeLink Universal Transceiver. If you do not have this information, you should contact the manufacturer of the equipment.

While training or using HomeLink, make sure you have a clear view of the garage door or gate, and that no one will be injured by its movement.

General Information

If you are programming HomeLink to operate a garage door or gate, it is recommended that you unplug the motor for that device during training. Repeatedly pressing the remote control button could burn out the motor.

HomeLink stores the code in a permanent memory. There should be no need to retrain HomeLink if your car's battery goes dead or is disconnected.

If your garage door opener was manufactured before April 1982, you may not be able to program HomeLink to operate it. Garage door openers manufactured before that date do not have a safety feature that causes them to stop and reverse if an obstacle is detected during closing, increasing the risk of injury. If you have questions, call (800) 355-3515.



Programming

- Press and hold down the keys **Q** and **S**;
- after about 20 seconds, the LED **T** starts flashing;
- release the keys;
- hold the remote control for the device to be controlled close to the HomeLink control panel (12 in);
- simultaneously press and hold down the key of the hand-held remote control and one of the three HomeLink keys **Q**, **R** or **S**;
- successful programming is signaled by the LED **T** flashing faster;
- release the keys.

To program the other keys, repeat the operations skipping the first three steps.

Use

- When the signal of the device to be activated reaches its operating range, press the dedicated HomeLink key.
 - The LED **T** remains on while the signal is being transmitted.
- The devices controlled via the HomeLink function can, in any case, still be activated from the original remote controls.
- Should the programmed HomeLink not activate the system to be controlled, it may be that it is controlled by a remote control with a rolling code.
- A rolling activation code can be recognized in the following ways:
- consulting the instruction manual provided with the device to be controlled;
 - despite the HomeLink programming procedure having been carried out correctly, the HomeLink function does not activate the device;
 - holding the dedicated HomeLink key pressed down, the LED **T** briefly flashes fast and then stays on for 2 seconds; this sequence is repeated for about 20 seconds.

Programming for devices controlled by rolling code

- Locate the specific setting key by consulting the user manual of the system to be controlled. This is normally located on the motor which drives the device.
- Press the key and, in normal conditions, a LED will come on.

WARNING: Normally, after this operation you have 30 seconds to start the next one.

- Briefly press the HomeLink key you have chosen to control the device (**Q**, **R**, **S**).
- Press it a second time; when it is released the operation should be completed. For some types of motors, the key might have to be pressed a third time.



Reprogramming a single key

If you want to program activation of a new system on an already used HomeLink key, proceed as follows:

- press and hold down the HomeLink key selected;
- after about 20 seconds, the LED T starts flashing; keep the key pressed down;
- hold the original remote control of the device to be controlled close to the HomeLink control panel (12 in);
- press and hold down the original remote control key;
- successful programming is signaled by the LED T flashing faster;
- release both keys.

The system previously programmed on HomeLink has thus been replaced with the new programming and is ready to be used.

This operation has no impact on the other HomeLink keys.

Deleting the programmed keys

Unlike programming which is done for each individual key, deletion is done for all three keys simultaneously.

To delete, proceed as follows:

- press and hold down the keys Q and S;
- after about 20 seconds, the LED T starts flashing;
- release the keys.


WARNING: It is advisable to carry out the HomeLink deletion procedure when you intend to sell the vehicle.

As required by the FCC:

This device complies with Part 15 of the FCC rules. Operation is subject to the following two conditions: (1) This device may not cause harmful interference, and (2) this device must accept any interference received, including interference that may cause undesired operation.

Changes or modifications not expressly approved by the party responsible for compliance could void the user's authority to operate the equipment.

This device complies with Industry Canada Standard RSS-210. Operation is subject to the following two conditions: (1) this device may not cause interference, and (2) this device must accept any interference that may cause undesired operation of the device.



**California Proposition 65
Warning**

**THIS MOTOR VEHICLE CONTAINS
CHEMICALS KNOWN TO THE
STATE OF CALIFORNIA TO CAUSE
CANCER, BIRTH DEFECTS OR OTHER
REPRODUCTIVE HARM (see page 7)**





Before you drive

Doors	90
Power windows	93
Engine compartment lid	94
Luggage compartment	94
Fuel tank door	96
Keys	97
Ignition switch	100
Electronic alarm system device	101
Front seats	105
Rear seats	108
Rear-view mirrors	109
Steering wheel	111
External lights and direction indicators	112
Windshield wipers/washer and headlight washers	116
Multi Media System	118
Air conditioning	123
Bose® Surround Sound System	129



Doors



Before opening a door, make sure the maneuver can be performed safely.

Opening from the outside

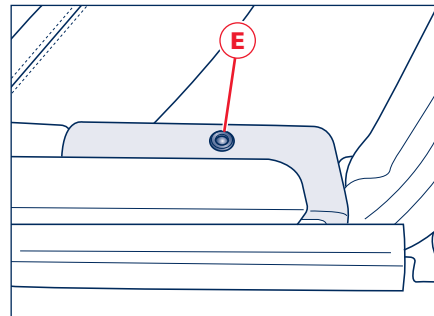
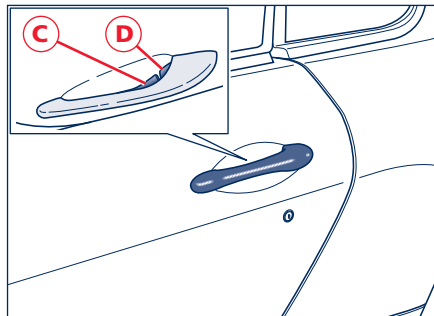
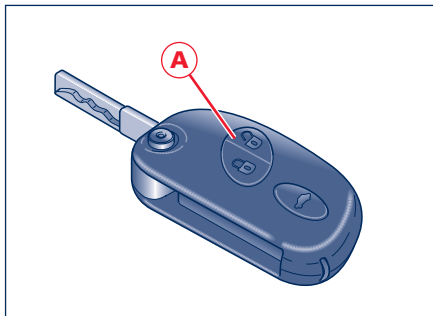
Turn off the alarm system and the centralized door locking system by pressing button **A** on the remote control (see chapter “Electronic alarm system device”, page 101) or insert and turn the key in the lock on one of the front doors. To open the door, press button **C** inside each handle. The vehicle is equipped with power locks which move the mechanical parts during when pressing this button.

As these are electrically operated locks, a slight pressure on the button will unlock the doors.

In the event of an emergency (dead battery or electric system failure) to open the doors, with the locks released, press button **D**. Otherwise, if the doors are locked, you must release them by turning the key in the lock to open them, then press button **D**. In this case, being a conventional mechanism, hold button **D** down longer.

On the door panels, in a position which is visible from the outside, there is a dual-color (green/red) LED **E** which indicates the status of the locks (locked/unlocked). The red LEDs illuminate for 3 seconds after the locks are engaged and the green LEDs for the same amount of time when they are unlocked.

WARNING: The door LEDs remain illuminated for approximately 3 seconds and therefore, in normal conditions, they are off.



When the alarm system is turned on and the doors are locked, the LEDs on the doors flash.

The remote control allows you to operate the centralized opening of all the doors or of the driver's door only, depending on the Multi Media System settings. When locking the doors from the outside, if one or more doors are not properly closed they will not be locked, while if the luggage compartment is not properly closed, the doors will always lock. In both cases, the malfunction will be indicated by the direction indicators flashing for a few seconds.

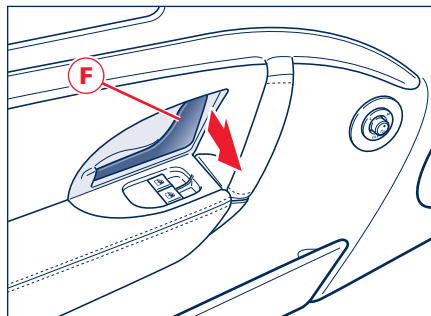
WARNING: The interior buttons for door locking/unlocking, luggage compartment lid opening and fuel tank door opening are disabled when the doors are locked from the outside.

WARNING: In the event that the inertia switch activates, the doors are electrically unlocked and the vehicle can be accessed by pressing button **D**.

Opening from the inside

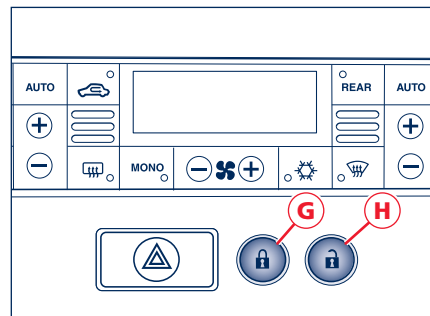
To open the door, even if the lock is engaged, pull the internal handle **F**. There are two buttons on the front central dashboard, which operate the door locking and unlocking functions: **G** - door locking; **H** - door unlocking.

WARNING: By pulling the internal handle on the driver's door, all the locks can be released at the same time or just the driver's door, depending on the Multi Media System settings.



Door open warning lights

If the doors and the engine/luggage compartment lids are not closed properly, this is signaled by the illumination of appropriate symbols on the instrument panel display, accompanied by the messages "Door open" or "Doors open".





Door lock ECU initialization

Every time the battery is connected or a fuse replaced, you must perform the system initialization procedure to ensure proper system operation. To perform this procedure, lock and then unlock the doors using the door remote control.

Door open indicator

Each door is provided with a reflector **K** fitted on the lower side of the door panel.

Buzzer

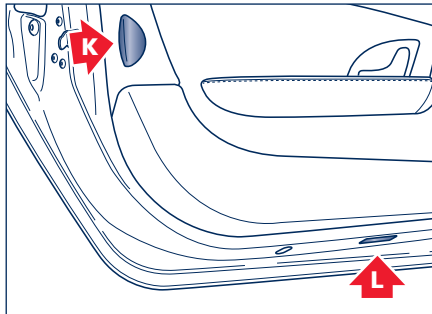
Upon exceeding a speed of 3 mph (5 km/h), if one or more doors/lids are open or not properly closed, a warning buzzer will be activated.

Door courtesy light

Each door panel is fitted, on the lower side, with a courtesy light **L** to illuminate the area where passengers enter/exit the vehicle.



For your safety, it is not recommended to engage and/or shift gears with the doors, trunk lid or vehicle's hood open.

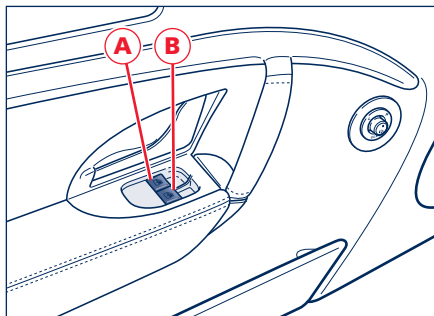


Power windows


Activation is only possible with the ignition key in the **MAR (ON)** position. The armrest on the driver's door is equipped with the controls for operating all of the power windows, while the other door panel house the control for the relative window only.


- A** - Front left-hand window opening/closing.
- B** - Front right-hand window opening/closing.


Press the button for the driver's window **A**, with the ignition key to **MAR (ON)**, to activate automatic operation: the window is closed when it reaches the upper limit (or pressing the button again).



WARNING: If the power window is activated with the door open, the window stops before reaching the upper limit, to prevent interference with the weather strip when the door is closed.

 **When the door is opened, the window is slightly lowered and then closes automatically after the door is closed: take the greatest care to avoid passengers (especially children) being near the windows when opening/closing the doors.**

 **Improper use of the power window controls can be dangerous. Check that passengers are away from the side windows before closing them. Always remove the ignition key when you get out of the vehicle, in order to avoid accidental activation of the power windows - they represent a hazard for passengers remaining in the vehicle.**

 **Leaving children in a parked vehicle with the windows shut is dangerous: the temperature inside the vehicle can reach very high levels, causing fainting and serious injuries.**

WARNING: Before disconnecting the battery, lower the side windows by at least 1-2 in (4-5 cm) to avoid damaging the weather strips when opening and closing the doors. When the battery is connected and fully charged, this operation is performed automatically whenever the doors are opened or closed. The windows must remain lowered until the recharged battery is reconnected. If the battery is discharged and the windows are fully up, only open the doors when strictly necessary and being extremely careful: do not close them again until the windows can be lowered.

WARNING: Before activating the alarm system, check that all the windows and the sunroof are closed to prevent accidental activation of the alarm system.



Engine compartment lid

To unlock the engine compartment lid, pull the lever **A** found in the lower, left-hand side of the dashboard.

Disengage the safety latch by lifting lever **B** shown in the figure. Lifting the lid: this operation is facilitated by two gas struts. The engine lid positions itself at the maximum opening position and does not require support stays.

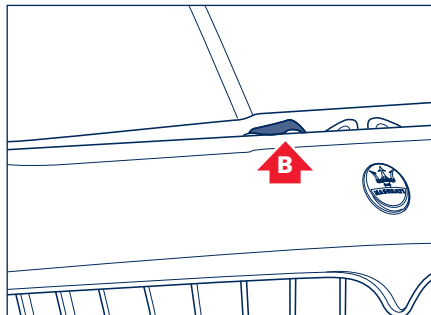
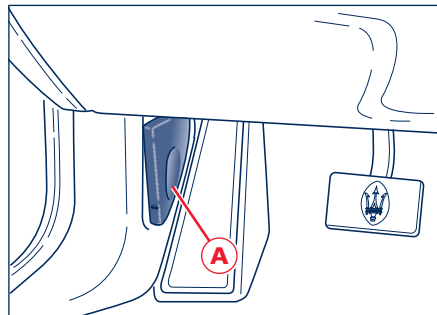
To close the engine lid: lower it to about 8 in (20 cm) from the engine compartment and let it drop: it will close automatically.



Always check that the engine lid is properly shut so that it does not open while driving.



For your safety, it is not recommended to engage and/or shift gears with the doors, trunk lid or vehicle's hood open.

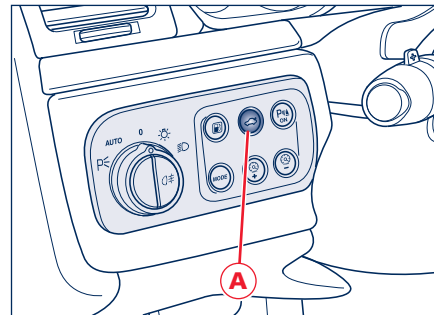


Luggage compartment

The luggage compartment lid can be opened from inside or outside the vehicle. Button **A**, which opens it from inside, is located to the left of the steering wheel; it can only be operated when the ignition key is removed or turned to **STOP (OFF)** and **ACC**.

To open the luggage compartment lid from outside, press button **B** on the ignition key: this opens the lock and the lid rises slightly.

To open the lid from the outside when the alarm is deactivated and the key is inside the vehicle, simply press the button underneath the license plate light frame. To avoid accidental activation while the vehicle is moving, it is only possible to open the luggage compartment when the ignition key is



removed or turned to **STOP (OFF)** and **ACC**.

Two gas struts facilitate the lid opening. The struts are calibrated to help ensure that they function correctly with the weights specified by the manufacturer. The arbitrary addition of objects (spoiler, luggage rack etc.) may impair the lid's correct operation and safety.



When using the luggage compartment, never exceed the maximum loads allowed (see section on "Capacities and technical specifications"). Also check that the objects contained in the luggage compartment are arranged properly.

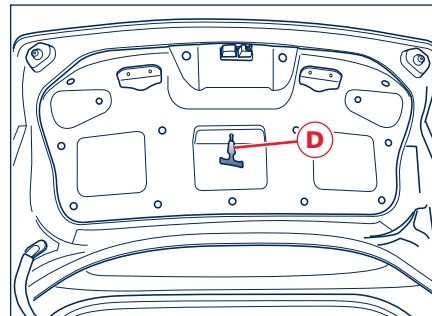
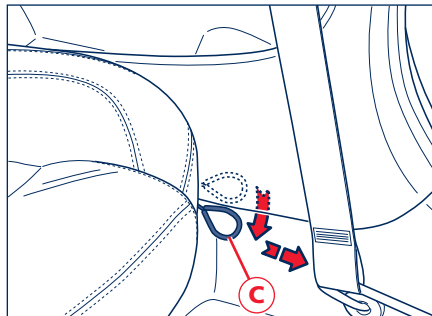
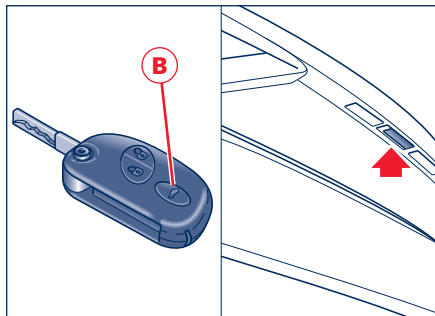
The luggage compartment is illuminated by an internal light that comes on automatically when the luggage compartment lid is opened; deactivation is timed. If the luggage compartment lid is left open, the light turns off after a few minutes. To turn it on again, close the lid and then reopen it.

Emergency opening

If necessary, the luggage compartment lid can be opened by pulling the small cable **C**, hidden underneath the covering of the left-hand side panel. Once you have located the cable and pulled it out from the covering, pull it forward to open the luggage compartment lid.

Emergency opening of the luggage compartment

In the event that somebody is accidentally locked in the luggage compartment, the lid can be opened from the inside by pulling the lever **D** positioned in the center of the lid. The lever is visible even in poor lighting conditions.





Fuel tank door

The fuel tank door is found on the rear, left-hand side of the vehicle. To open the door, press button **A** on the left of the steering wheel. It can be operated only when the ignition key is removed or turned to **STOP (OFF)**.

The tank cap hermetic seal may result in a slight pressure increase inside the tank. Any hissing noise while the cap is being opened is normal.

When refueling, the cap must remain attached to the door by means of the hook provided **B**.

The cap is linked to the filler neck with a strap, to prevent it from being lost while refueling.

The fuel tank door must be closed manually.

Before closing the fuel tank door, check that the filler cap is fully tightened.



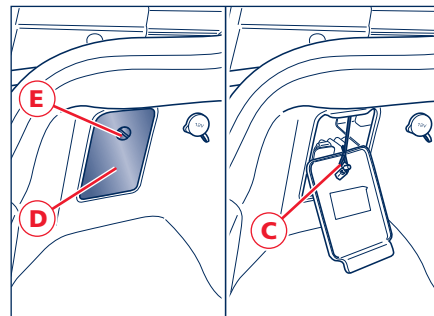
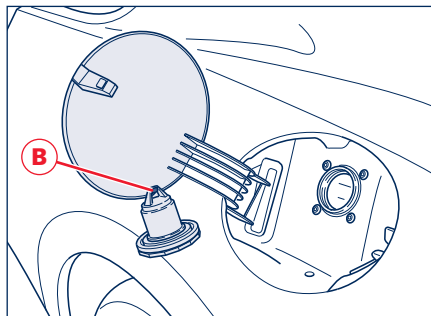
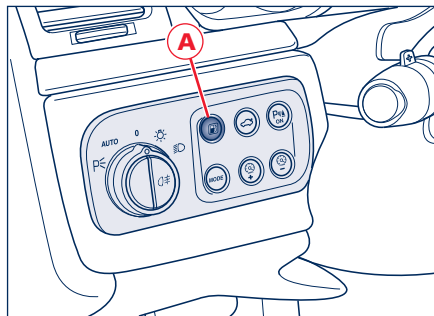
Never bring open flames or lit cigarettes close to the filler: Risk of fire!

Also avoid putting your face close to the filler so as not to inhale noxious fumes.

Fuel tank door emergency opening

If necessary, the fuel tank door can be opened by pulling the small cable **C** inside the luggage compartment.

To reach the cable, you must remove the small panel **D** turning the screw **E** by a quarter of a turn.



Keys

The Maserati CODE system

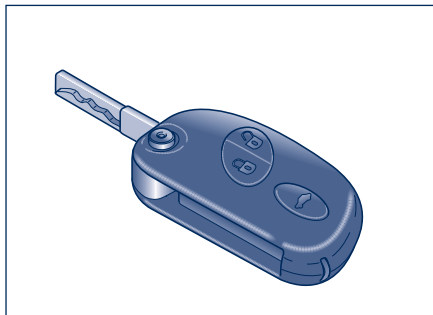
In order to help increase protection against theft, the vehicle is equipped with an electronic engine immobilizer system (Maserati CODE), which is automatically activated when the ignition key is removed.

Each ignition key contains an electronic device which transmits a code signal to the Maserati CODE control unit, and engine ignition is enabled only if the key code is acknowledged by the system.

Two keys are supplied with the vehicle.

The key is used for:

- starting the engine
- activating the central door locking system
- deactivating/activating the



passenger airbag (on vehicles equipped with manual deactivation system)

- opening the luggage compartment lid electrically
- activating/deactivating the alarm system
- locking/unlocking the glove compartment.





**California Proposition 65
Warning**

**THIS MOTOR VEHICLE CONTAINS
CHEMICALS KNOWN TO THE
STATE OF CALIFORNIA TO CAUSE
CANCER, BIRTH DEFECTS OR OTHER
REPRODUCTIVE HARM (see page 7)**



Operation

Each time the ignition key is removed from the **STOP (OFF)** position, the protection system will activate the engine immobilizer.

When the key is turned to **MAR (ON)**, upon engine start-up:



- 1) If the code is acknowledged, the CODE warning light  on the instrument panel will turn off within a second, while the OBDII warning light , once the ECU diagnosis cycle has been completed, will turn off after about 18 seconds. If these

conditions are met, the protection system recognizes the key code and deactivates the engine immobilizer. Turn the key to start the engine.


- 2) If the CODE warning light  stays on and the OBDII lamp  goes off after 18 seconds and then comes on again immediately, the code is not recognized. If this occurs, turn the key to **STOP (OFF)** and then back to **MAR (ON)**. If the immobilizer stays on, try with the other keys. If you still cannot start the engine, try the emergency start procedure (see on page 174) and contact your local

Authorized Maserati Dealer.

When driving with the ignition key in the **MAR (ON)** position:

- 1) If the CODE warning light  illuminates, it means that the system is performing a self-diagnostic cycle. At the first stop, you can test the system: turn the ignition key to **STOP (OFF)** the engine and then back to **MAR (ON)**. The CODE warning light  will come on and should turn off in approximately one second. If the warning light stays on, repeat the procedure described previously leaving the key at **STOP (OFF)** for more than 30 seconds. If the malfunction persists, contact your local **Authorized Maserati Dealer.**



2) If the CODE warning light  flashes, it means that the vehicle is not protected by the immobilizer device. Contact your local **Authorized Maserati Dealer** immediately to have the codes of all the keys restored in the memory.



WARNING: Strong impacts can damage the electronic components in the key.

WARNING: Each key has its own specific code, which must be stored in the memory of the system control unit.


Duplicating the keys

When ordering additional keys, remember that the memorization procedure (up to maximum of 7 keys) must be performed on all the keys, including those already in your possession. Contact your local **Authorized Maserati Dealer** directly, bringing with you all the keys in your possession, the Maserati CODE system CODE CARD, the electronic alarm system CODE CARD, a personal ID and the identification and registration documents proving ownership of the vehicle. The codes of any keys that are not available when the new storage procedure is performed will be erased from the memory to prevent any lost or stolen keys being used to start the vehicle.

Emergency starting

If the MASERATI CODE fails to deactivate the engine immobilizer, the CODE warning light  will illuminate permanently, the OBDII warning light  will turn off after four seconds and then will illuminate immediately and the engine will not start. To start the engine, it is necessary to follow the emergency start procedure.









WARNING: We recommended that you read the entire procedure before carrying it out. If you make a mistake, you should turn the ignition key to **STOP (OFF)** and repeat the operations from step 1.




**California Proposition 65
Warning**

**THIS MOTOR VEHICLE CONTAINS
CHEMICALS KNOWN TO THE
STATE OF CALIFORNIA TO CAUSE
CANCER, BIRTH DEFECTS OR OTHER
REPRODUCTIVE HARM (see page 7)**



- 1) Read the 5-digit electronic code on the CODE CARD.
- 2) Turn the ignition key to **MAR (ON)**: the CODE  and OBDII  warning lights are on.
- 3) Press the accelerator pedal fully down and keep it pressed. Approximately 8 seconds later, the OBDII warning light  will go off. Release the accelerator and get ready to count the number of times the OBDII warning light  flashes.
- 4) As soon as the displayed number of flashes is equal to the first digit of your CODE CARD, depress the accelerator and keep it pressed down until the OBDII warning light  goes off, after being off for approximately 4 seconds. You can now release the accelerator pedal.
- 5) The OBDII warning light  starts flashing again. As soon as the displayed number of flashes is equal to the second digit of your CODE CARD, press down the accelerator pedal and hold it.
- 6) Proceed in the same manner for the remaining digits in the code on the CODE CARD.
- 7) When the last digit has been entered, keep the accelerator pedal pressed down. The OBDII warning light  illuminates for 4 seconds and then goes off. You can now release the accelerator pedal.
- 8) A quick flashing of the OBDII warning light  (about 4 seconds) confirms that the operation has been performed correctly.
- 9) Start the engine turning the key from **MAR (ON)** to **AVV (START)**.

If the OBDII warning light  remains on, turn the key to **STOP (OFF)** and repeat the procedure from step 1.

This procedure can be repeated an unlimited number of times.

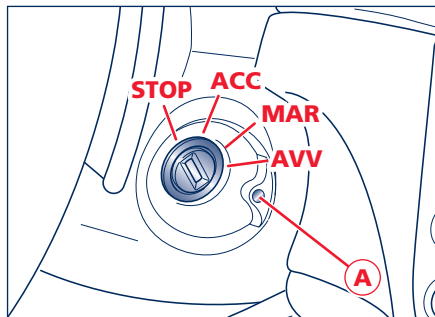
WARNING: After an emergency start-up, you should contact your local **Authorized Maserati Dealer**, otherwise you will have to perform the emergency start procedure every time the engine is started.




Ignition switch

The ignition key can turn in 4 positions:


- STOP** - Engine off, engine immobilizer and steering wheel lock activated, connected devices disabled, apart from those that are not key-controlled (e.g., centralized door lock, luggage compartment opening, etc.). The key is removable.
- ACC** - Position for cigarette lighter and power socket activation. The key is not removable.
- MAR** - Driving position. All electrical devices can operate.
- AVV** - Engine starting.





Upon exceeding a speed of 3 mph (5 km/h), if one or more doors/lids are open or not properly closed, a warning buzzer will be activated.

 **When you get out of the vehicle, always remove the key to prevent someone from accidentally activating the controls.**

WARNING: The ignition key can be removed from the switch only when the gearshift lever (see page 134) is in position **P**. If the gearshift lever is shifted to **P** after turning off the engine, the key can only be removed within 30 seconds from turning it to **STOP (OFF)**. If you do not remove the key within 30 seconds, you will need to turn it back to **MAR (ON)** and then to **STOP (OFF)** to have a further 30 seconds within which to remove the key. In the event that the key unlocking system fails or if it is not possible to shift the gearshift lever to **P**, to remove the key you must turn it to **STOP (OFF)**, then remove the cap **A** using a pen or sufficiently pointed tool, then press the button just uncovered and at the same time extract the key. Once the key has been removed, refit the cap **A**.

 **After stopping the vehicle, always shift the gearshift lever to **P**.**

 **In the event of tampering with the starter switch (e.g., attempted theft), have it checked by your Authorized Maserati Dealer before restarting the vehicle.**

 **If the automatic electric parking brake function is deactivated, remember to apply the parking brake manually.**

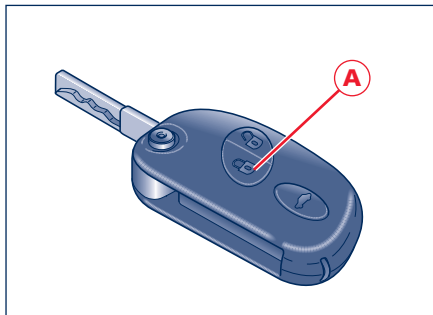
 **Never leave children unattended in the vehicle.**

Electronic alarm system device

The electronic alarm system performs the following functions:

- remote control of the centralized door locking/unlocking system
- perimeter surveillance, detecting the opening of doors, engine/luggage compartment lids
- motion surveillance, detecting intrusion in the passenger compartment
- vehicle movement surveillance.

WARNING: The engine immobilizer function is ensured by the Maserati CODE system, which is automatically activated when the key is removed from the ignition switch.



Activation

Press button **A** on the key to activate the alarm system:

- the direction indicators flash once
- the system beeps;
- the red LEDs on the front door panels flash;
- the vehicle centralized door locking is activated and the doors are locked.

The system becomes operative after approximately 25 seconds and the alarm is activated when:

- a door is opened
- the luggage compartment lid is opened
- the engine compartment lid is opened
- someone attempts to enter the vehicle from a window
- the power supply is disconnected
- the siren is disconnected
- the vehicle is moved.

When the electronic alarm is active, the user may remotely open the trunk. In this case, the motion and anti-lift sensors are temporarily deactivated.

If the luggage compartment is then closed, the sensors will be reactivated.

Should the direction indicators flash 9 times when you activate the alarm system, this means that one of the doors or lids is not properly closed and therefore is not protected by the perimeter surveillance. Check for correct closing of doors, engine/luggage compartment lids and close the open one without deactivating the alarm system: the direction indicators flashing once indicate that now the door, engine/luggage compartment lids are closed properly and are protected by the perimeter surveillance.

WARNING: If the direction indicators flash 9 times when the alarm system is activated with doors, front and rear lids properly closed, this means that the self-diagnostic function has detected a malfunction in the system and that you should contact your **Authorized Maserati Dealer** to have the system checked.



Deactivation

Press button **B** on the key to deactivate the alarm system:

- the direction indicators flash twice
- the system emits a double beep
- the red LEDs on the front door panels turn off
- the centralized door locking system is activated and the doors are unlocked.

The alarm system is off and it is therefore possible to enter the vehicle and start the engine.

Pressing button **B** twice unlocks the doors and also turns on the low beams for 30 seconds.

WARNING: The alarm system is not deactivated when the key is turned in the locks.

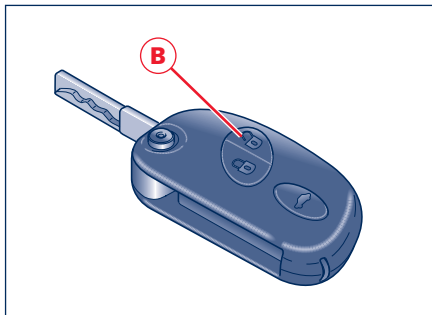
Getting into the vehicle when the alarm system is on

When the remote control battery is dead, to access the vehicle you must insert the key in the lock on one of the two front doors and turn it clockwise to unlock it: the alarm will sound but you can continue with the normal starting procedure (see page 132). The alarm will turn off.



**California Proposition 65
Warning**

**THIS MOTOR VEHICLE CONTAINS
CHEMICALS KNOWN TO THE
STATE OF CALIFORNIA TO CAUSE
CANCER, BIRTH DEFECTS OR OTHER
REPRODUCTIVE HARM (see page 7)**



Deactivating the motion sensing alarm

The motion sensing system can be deactivated also by pressing button **C** on the roof panel. When this function is deactivated, the LED on the button flashes for 3 seconds and then turns off.


Deactivating the anti-theft alarm

Press button **D** to deactivate the anti-lift alarm. When this function is deactivated, the LED on the button flashes for 3 seconds and then turns off.

WARNING: Deactivation of the motion sensing and anti-lift alarm devices remains memorized until the following alarm system activation. Therefore, if these devices are

deactivated but the alarm system is not activated within a very short time, their deactivation will remain memorized until the next system activation, regardless of whether the vehicle is on or off.

Alarm memory

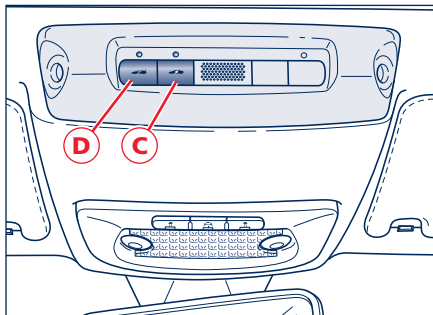
If the warning light  appears on the display when the vehicle is started, accompanied by the message "Break-in attempt detected" this means that an intrusion has been attempted during your absence.

The alarm system memory is reset when you turn the ignition key.

Ordering extra remote keys

To purchase new keys with remote control, contact your **Authorized Maserati Dealer**, bringing with you:

- all the keys with remote control in your possession
- the Maserati CODE system CODE CARD
- the electronic alarm system CODE CARD
- your identity card
- the identification and registration documents proving ownership of the vehicle.





WARNING: Keys with remote control that are not provided to the Dealer, for the new code storage procedure, will automatically be deactivated. This is to prevent any lost or stolen keys with remote control from being used to deactivate the electronic alarm system.



**California Proposition 65
Warning**

**THIS MOTOR VEHICLE CONTAINS
CHEMICALS KNOWN TO THE
STATE OF CALIFORNIA TO CAUSE
CANCER, BIRTH DEFECTS OR OTHER
REPRODUCTIVE HARM (see page 7)**

4

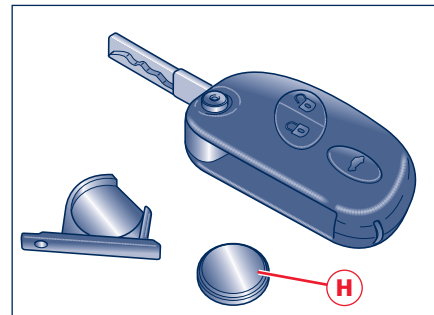
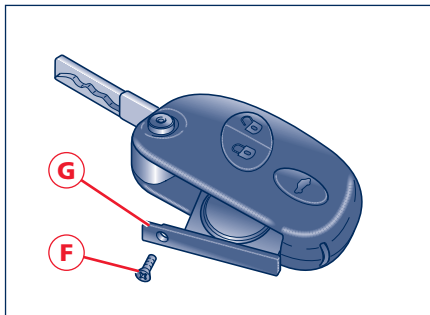
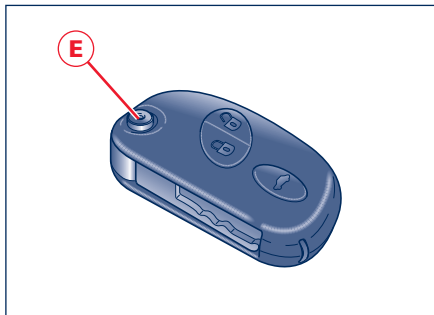
Replacing remote operated control battery

If you press one of the three buttons and this does not activate the corresponding function, before replacing the batteries, check for correct operation of the alarm system functions using the other remote control.

To replace the remote control battery:

- extract the key by pushing the button E

- undo the screw F
- extract the battery holder G
- remove the battery H from its retaining ring
- fit a new battery of the same type, observing the indicated polarity
- fit the battery support G into the remote control and secure it by tightening the screw F.



Front seats

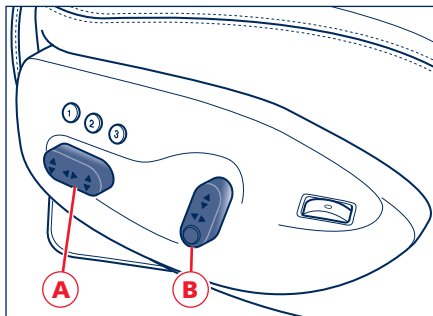


Adjust the seat only when the vehicle is stationary. You could lose control of the vehicle while driving. Moving the seat could distract you or make you press a pedal unintentionally. Adjust the driver's seat only when the vehicle is stationary.

The seats can only be adjusted with the ignition key in position **MAR (ON)**. It is however possible, when the door is closed, to adjust the seat for approx. 15 seconds after turning the ignition key to **STOP (OFF)** and then for other 15 seconds after the last operation.

Back/forward adjustment

Push control **A** on the outer side of the seat, forward or backward.



Height adjustment

Grip lever **A** at the center and push it down or up.

Seat angle adjustment

- Front of seat: move the front end of control **A**.
- Rear of seat: move the rear end of control **A**.

Seatback inclination adjustment

Push lever **B** forward or backward to raise or lower the seatback.

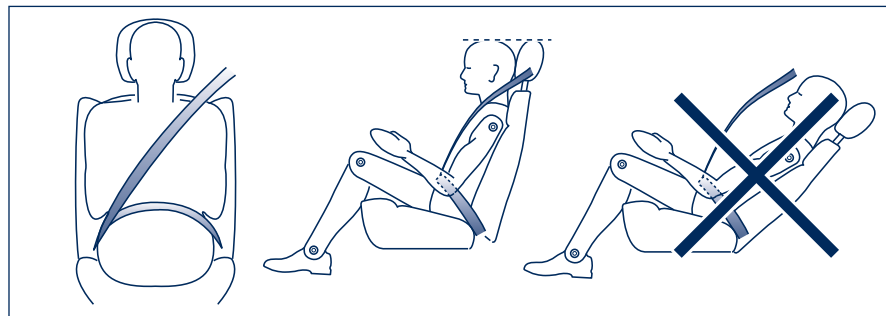


Sitting in a reclined position while the vehicle is in motion could be dangerous. The seatback should not be tilted back too far.

The 3-point shoulder/lap belt must be firmly secured against the occupant's body in order to function properly. Therefore, both the driver's and passenger's reclining seatbacks must always be in an upright position while the vehicle is in motion; otherwise the 3-point shoulder/lap belt would not remain firmly positioned against the occupant's body. Serious injury could result!

Lumbar support adjustment

This system is fitted on the passenger and driver's seat. Push lever **B** up or down to the most comfortable position.

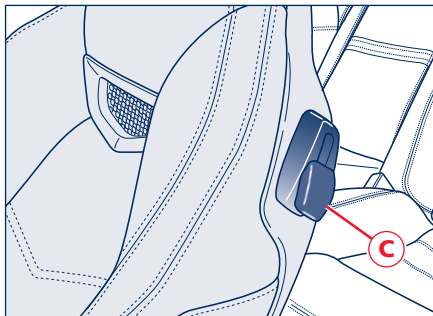




Seatback tilt

To tilt the front seatback, lift lever **C** and move the backrest forward. To facilitate access to the rear seats or exiting the vehicle, the front seats are fitted with the “Easy Entry” device (only active when the door is open), which moves the seats forward automatically when the seatback is reclined forwards, and returns them to their original position when the seatback is tilted back again.

WARNING: The system (excluding the seat with position memory) incorporates a safety device which stops the seat travel and then moves it forward slightly when the seatback comes in contact with any passengers seated in the rear seats.



To stop the seat when it is automatically moving forward or backward, operate any control.



The seat cannot be occupied when reclining the seatback or moving it to the upright position.

Passengers shall get in or out of the rear seats only when the front seat is stopped. Take the greatest care to avoid that passengers on the rear seats (especially children) touch the seat and its guides when it is moving.

Heating system

Heating is activated by turning control **D**. Two heating pads are used to heat the seat. When this function is active for one or more seats, the relative warning light illuminates on the display.

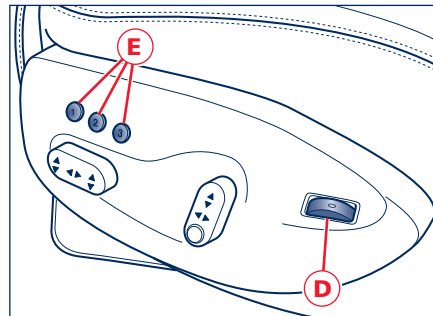
Using control **D**, heating can be adjusted to 3 different levels. When the heating system is activated, the relative function will appear on the instrument panel display.

WARNING: Turn off the heating system when not required, to prevent unnecessary power usage.

Storing the positions of the seats and external rear-view mirrors

The system allows you to store and recall 3 different positions for the driver's seat and the external rear-view mirrors (buttons **E**).

The storage procedure is only possible with the ignition key in position **MAR (ON)**. Adjust the position of the seat, the external rear-view mirrors and the steering wheel, then engage reverse gear and position the external passenger's mirror again to help ensure the best possible visibility for reversing, then disengage reverse gear. Next press one of the three buttons “1”, “2” or “3”, each corresponding to a memorizable position, for more than 3 seconds until you hear a confirmation tone. Lumbar support adjustment is not





included in the seat position storage procedure.

The memorization of a new seat position erases the one previously stored with the same button.

To recall one of the stored positions with the door open, press the relative button "1", "2" or "3" briefly.

To recall the a stored position with the door closed, press the corresponding button until hearing a tone that confirms the seat has stopped.

WARNING: To stop the seat, press one of the buttons - "1", "2" or "3" -, or one of the adjustment controls.

WARNING: Malfunctioning of the seat control unit is indicated by a sequence of 5 tones emitted when the ignition key is turned to **STOP (OFF)**: contact your **Authorized Maserati Dealer** to have the malfunction corrected.

Each system is independent of the others and can be operated separately using specific buttons for each seat.

System initialization

Following any power cut-out (e.g., after using the battery master switch or dead battery), check the seats to ensure that they are operating properly when the power supply is available: perform the following procedures on both seats in the event of a malfunction.

With the ignition key in position **STOP (OFF)** and the door on the side of the seat concerned closed, open the door and begin the following procedure within 5 seconds, then complete it within 10 seconds:

- 1) forward - STOP
- 2) backward - STOP
- 3) forward - STOP
- 4) backward - STOP
- 5) tilt the seatback fully forward and wait until the seat performs two complete travels (forward and backward).
- 6) move the seatback to its normal upright position.

WARNING: If you need to disconnect the battery, wait at least 30 seconds from the last seat movement.

If you disconnect the battery before, you will have to perform the initialization procedure.

Driver's Easy Entry/Exit system

The easy entry/exit system helps the driver when entering/exiting the vehicle. When the driver exits the vehicle, the steering wheel moves upward.

This function is activated when the door is opened only if the ignition key has been extracted or is in position **STOP (OFF)**.

On re-entry, the driver finds the steering wheel raised. After sitting down and closing the door, upon turning the key to position **MAR (ON)**, the steering wheel return to its normal driving positions.

This function is linked to the presence of the seat position memory system.



Rear seats

They can seat two passengers.

Headrest

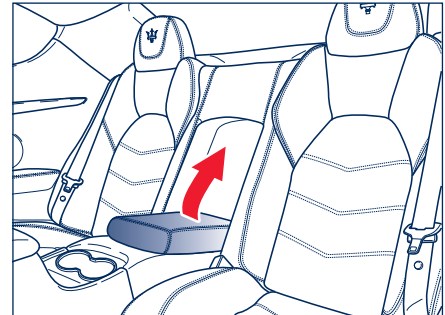
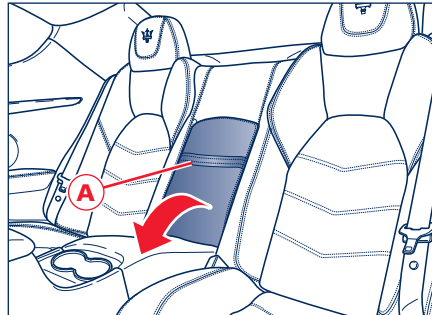
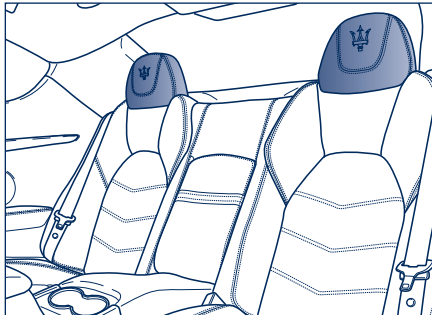
The headrests are not movable.

Armrest

The rear center armrest is movable and can be folded up into the seat backrest. To lower it, pull the handle **A**.

To close it, pull it upwards then push it back into its seating.

4



Rear-view mirrors

Electrochromic external rear-view mirrors

These mirrors can be adjusted electrically (with the ignition key turned to **MAR (ON)**) and they are also equipped with anti-mist elements.

- Mirror selector (right-hand or left-hand): move the selector **A** to the right or left, depending upon the mirror you wish to adjust.
- Mirror positioning: using control **A** you can adjust each mirror with four movements (up – down – right – left). Bring the selector switch back to the center position to avoid changing the position of the mirror involuntarily.

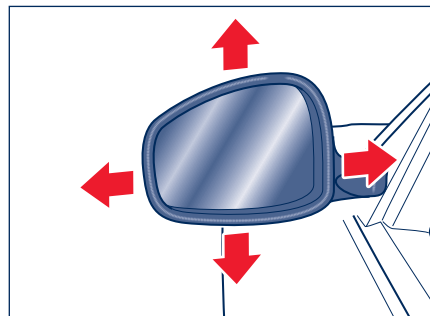
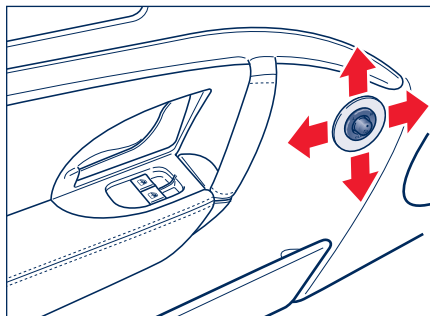
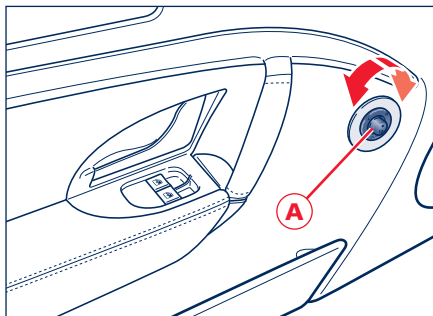
- Mirror folding: by turning the selector switch **A** to the lower central position, both mirrors fold inwards to facilitate parking in narrow spaces. If the selector switch is returned to the upper central position, the mirrors return to the open position.

A particular feature of these mirrors is that they gradually darken as the intensity of the light increases.

The mirrors are designed to yield in both directions in the event of a collision.

The external rear-view mirror position, both for the normal driving direction and for reversing, is automatically memorized together with each seat position.

To memorize a new position of the external rear-view mirrors, turn the ignition key to position **MAR (ON)** and adjust the position of the mirrors; then engage reverse gear and position the external mirrors again to ensure the best possible visibility for reversing, then disengage reverse gear.





Next press one of the buttons "1", "2" or "3" on the seat, each corresponding to a memorizable position, until you hear a confirmation tone. The new position of the external rear-view mirrors will be automatically memorized together with the seat position. It is also possible to change the position of the mirrors only for the normal traveling direction or for reversing.

WARNING: Never retract or open the mirrors by hand to avoid damaging the power mechanism.



The mirrors must always be in the open position while driving.

The side rear view mirrors have different curvatures: the left-hand mirror is flat, while the right-hand one is convex.



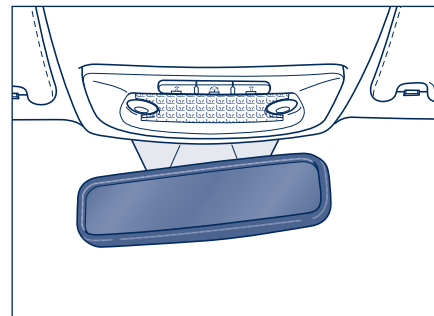
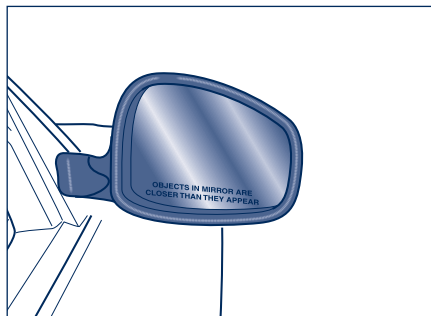
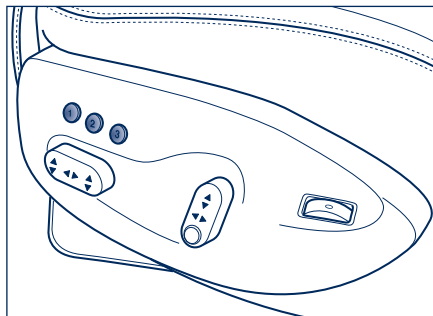
Pay particular attention to objects viewed in the right-hand mirror, as they are closer than they appear.

Electrochromic internal rear-view mirror

This mirror can be manually adjusted and is fitted with an accident-prevention release system that is designed to activate in the event of a collision.

The electrochromic rear-view mirror automatically operates an anti-dazzle function by gradually darkening as the light reflected on its surface increases.

This function is automatically deactivated when reversing, to help ensure optimal visibility of obstacles.



Steering wheel

Adjusting the electric steering wheel

The steering wheel can be electrically adjusted, both in terms of height and depth.

It can only be adjusted if the ignition key is in position **MAR (ON)**.

For adjustment, move control **B** in the four directions.

The steering wheel position is memorized, together with the position of the external rear view mirrors, when the driver's seat position is stored.



Do not adjust the steering wheel while driving.



Under no circumstances remove the steering wheel; this procedure, if necessary, must be performed by an Authorized Maserati Dealer.

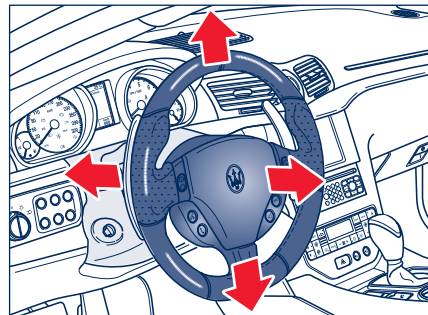
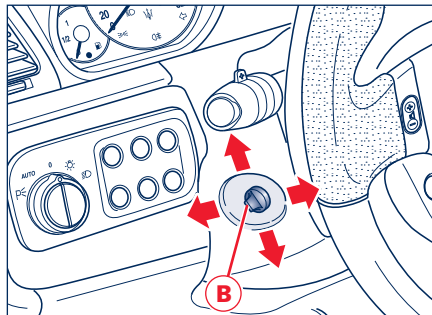
Driver's Easy Entry/Exit system

The easy entry/exit system helps the driver when entering/exiting the vehicle. When the driver exits the vehicle, the steering wheel moves upward.

This function is activated when the door is opened only if the ignition key has been extracted or is in position **STOP (OFF)**.

On re-entry, the driver finds the steering wheel raised. After sitting down and closing the door, upon turning the key to position **MAR (ON)**, the steering wheel return to its normal driving position.

This function is linked to the presence of the seat position memory system.





External lights and direction indicators

The external lights and direction indicators turn on only with the ignition key in the **MAR (ON)** position. Only the parking lights can be turned on at any time.

The external lights can be turned on and off manually or automatically, according to the brightness of the light outside.

Light switch

Switch **A** has 5 Positions:

0 – DRL (*) ON (if enabled);

– LED position lights, side marker and license plate lights ON;

– low beam lights, LED position lights, side marker and license plate lights ON;

– parking lights ON;

AUTO – automatic activation and deactivation of the external lights, depending on the light outside.

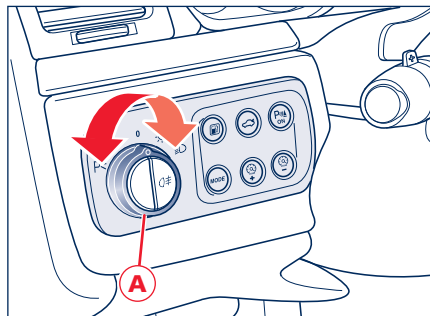
(*) On vehicles for the Canadian market DRL are always enabled.

DRL

DRL are normally enabled. Under special conditions, with light switch in and position, led headlight can be turned on to full power (DRL), low power (position lights) or off.

Status change of these lights is explained below.

Light switch position	Key position	Engine	DRL	Front position lights	Rear position, side marker and license plate lights
	MAR	OFF	OFF	ON	ON
		ON	ON	OFF	
		OFF/ON	OFF	ON	



Parking lights

The parking lights only work with the ignition key turned to **STOP (OFF)**, or **ACC**, or with the key removed.

They are activated by turning the light switch to position P[⊖].

It is harder to turn the switch to position P[⊖] than to the other positions. This is to avoid activating the parking lights unintentionally and wasting power.

When the parking lights are on, the warning light P[⊖] on the instrument panel illuminates.

With parking lights ON, move down LH lever to switch on position lights on LH side, and move it up to switch on only the ones on RH side.

Automatic activation/deactivation

When the light switch **A** is turned to AUTO and the ignition key is in position **MAR (ON)**, the position lights, low beam lights and license plate lights turn on and off automatically, depending on the light outside.

WARNING: The high beams can only be turned on manually by pushing the left-hand lever forward.



If the low beams are activated, they will come on automatically every time the lights are turned on. You are therefore advised to turn off the high beams every time the twilight sensor deactivates the external lights.



In foggy conditions during daytime, the position lights and low beams are not activated automatically. The driver must always be ready to turn the lights on manually, including the rear fog lights.

WARNING: After external lights turn ON automatically, driver can always manually turn on the rear fog lights. When external lights turn off automatically, the rear fog lights will turn off automatically too, if on. Upon the following automatic switch-on driver must manually turn on rear fog lights, if necessary.



The driver is always responsible for turning on the external lights, depending on the light outside and in compliance with applicable legislation. The automatic system for activating/deactivating the external lights must be considered an aid for the driver. If necessary, turn the lights on and off manually.



Twilight sensor

The twilight sensor consists of two sensors: a global sensor, capable of measuring the light intensity above, and a directional sensor, which measures the light intensity in the vehicle traveling direction, enabling it to recognize tunnels and driveways.

You can adjust the sensing range of the twilight sensor by means of the Multi Media System, by selecting the "Configuration" mode (see the "Configuration" section in the Multi Media System manual).

In the event of a sensor failure, the system will turn on the low beams and the position lights, regardless of the light outside, and a failure message will appear on the instrument panel display.

The failure message will be displayed as long as the light switch **A** is turned to AUTO.

In this case, we recommend that you deactivate the automatic system and turn on the external lights manually if necessary; contact your **Authorized Maserati Dealer** as soon as possible.

Direction indicators

The lever has 3 positions:

B - Direction indicators off.

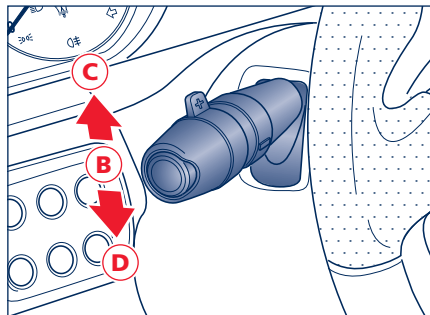
C - Lever up: right-hand side indicators.

D - Lever down: left-hand direction indicators.

Lane change function


This function allows you to activate either the right-hand or left-hand direction indicators so that they flash 3 times, without moving the lever to positions **C** or **D**, and then moving it back to the standby position **B**.

To activate this function, you must simply start moving the lever to a different position: if you move it up you activate the right-hand direction indicators, if you move it down you activate the left-hand direction indicators.

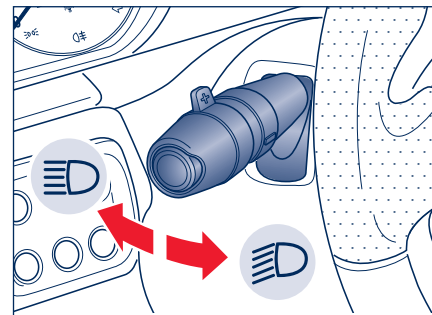


This function is useful when overtaking or changing lanes.

High beams

To turn on the high beams with the light switch in position , push the left-hand lever toward the dashboard. Pull the lever towards the steering wheel again to turn off the high beams and turn on the low beams.

WARNING: For the use of the high beams, follow applicable legislation.

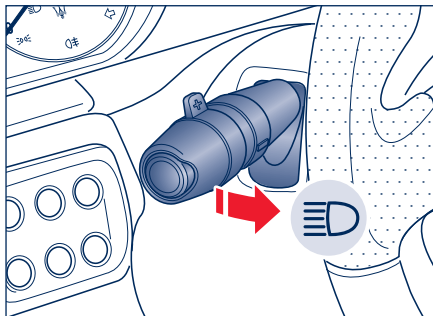


Flashing the headlights

The headlights can be flashed by pulling the left-hand lever towards the steering wheel.

Flashing occurs also with the lights off if the ignition key is in position **MAR (ON)**.

WARNING: Flashing turns on additional high beam lights only if low beam lights are off, or high-beam Bi-xenon lights when low beam lights are on. Always comply with road regulations and other provisions regarding road traffic.



“Follow me home” function

This function allows you to set a timing for activation of the position lights and low beams, so that they may remain on for a set time after turning off the vehicle.

This function is activated by pushing the lever on the steering column switch, used to flash the headlights. The position lights and low beams turn on for 30 seconds, the message “Follow me” appears on the instrument panel display for 20 seconds, and the light activation time is displayed.

When this function is active, every time the lever for flashing the headlights is operated, the time the lights remain on is increased by 30 seconds, with a maximum total time of 210 seconds. The display will show the time set.

If the lever for flashing the headlights is operated for more than 2 seconds, the function is deactivated, and the indicator on the instrument panel display goes off.

When the function is active, turning the key back to **MAR (ON)** deactivates the system.



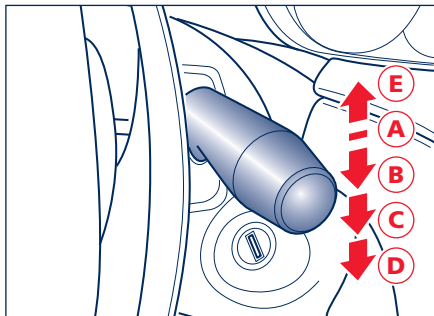
Windshield wipers/ washer and headlight washers

The windshield wiper/washer only works with the ignition key in the **MAR (ON)** position.

Windshield wiper

The lever has 5 positions:

- A** - Windshield wipers off.
- B** - Automatic operation. In this position the rain sensor adapts the windshield wiper frequency to the intensity of the rain (lever in the first click position).
- C** - Slow continuous operation (lever turned to second click position).
- D** - Fast continuous operation (lever turned to third click position).
- E** - Fast temporary operation (non-permanent position).

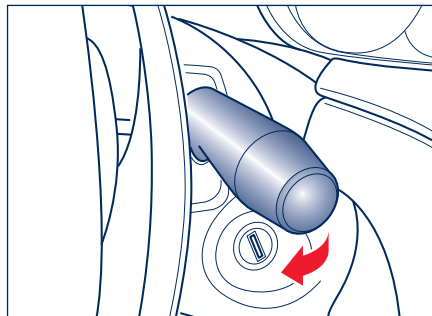


Windshield washer

Pull the lever towards the steering wheel (non-permanent position) to activate the windshield washer. When the windshield washer is activated, the windshield wiper starts automatically. Releasing the lever deactivates the windshield washer, while the blades continue to wipe for a little while.

WARNING: Do not activate the windshield washer during the cold months until the windshield has warmed up. If it has not warmed up, the liquid could freeze on the glass and block your view.

WARNING: If there is ice or snow on the windshield, do not activate the windshield wiper to prevent damage to the device.

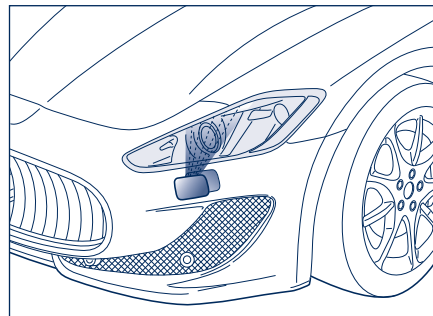


Headlight washers

The headlight washers are activated automatically when the windshield washer is started and the external lights are on.

The headlight washer and windshield washer share the same fluid tank, and a low fluid level is indicated by the same warning light on the instrument panel.

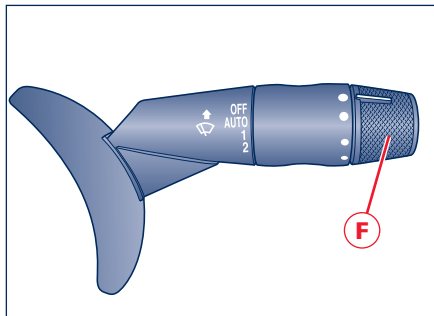
The headlight washers are deactivated if the vehicle speed exceeds 75 mph (120 km/h).



Rain sensor

The function of the rain sensor is to adapt the frequency of the windshield wiper strokes (in the intermittent operation mode) to the intensity of the rain.

All the other functions controlled by the right-hand lever (windshield wipers off, headlight and windshield washer in continuous slow and fast operation mode and in temporary fast operation mode) remain the same. The rain sensor is activated automatically by moving the right-hand lever to position **B**. The sensor has a setting range that varies progressively: from the windshield wiper stationary position - when the windshield is dry - to the windshield wiper second speed - in conditions of pouring rain.



To regulate the frequency of intermittent operation, with the lever in position **B**, turn the end section **F** of the lever.

Rotating the lever end section clockwise, intermittent operation varies from fast intermittent wipe (max.) to slow intermittent wipe (min.).


If the engine is turned off during automatic windshield wiper operation, with the lever in position **B**, to reactivate the function the next time the engine is started, the lever must be moved to **A** (stop position) then back to position **B**.



Before cleaning the windshield (for example at the service stations) make sure the rain sensor is deactivated or that the key is turned to STOP (OFF). The rain sensor must be deactivated also when washing the vehicle by hand or in automatic car washes.

WARNING: If there is ice or snow on the front windshield, do not activate the rain sensor to avoid damaging the wiper motor.

Sensor failure

When the rain sensor is activated, in the event that it is malfunctioning, the windshield wiper will be turned on in intermittent operation mode and the sensing range will be set by the user, regardless of whether or not there is rain on the windshield. On the display, the icon  illuminates.

In this case, we recommend that you deactivate the rain sensor and turn on the wipers, if necessary, in continuous mode. Contact your **Authorized Maserati Dealer** as soon as possible.



Multi Media System

The vehicle is equipped with the Maserati Multi Media System. This is an infotelematics system which incorporates the on-board computer, the satellite navigation system (with digital maps where available), the CD-ROM drive and the Bose® Surround Sound System.



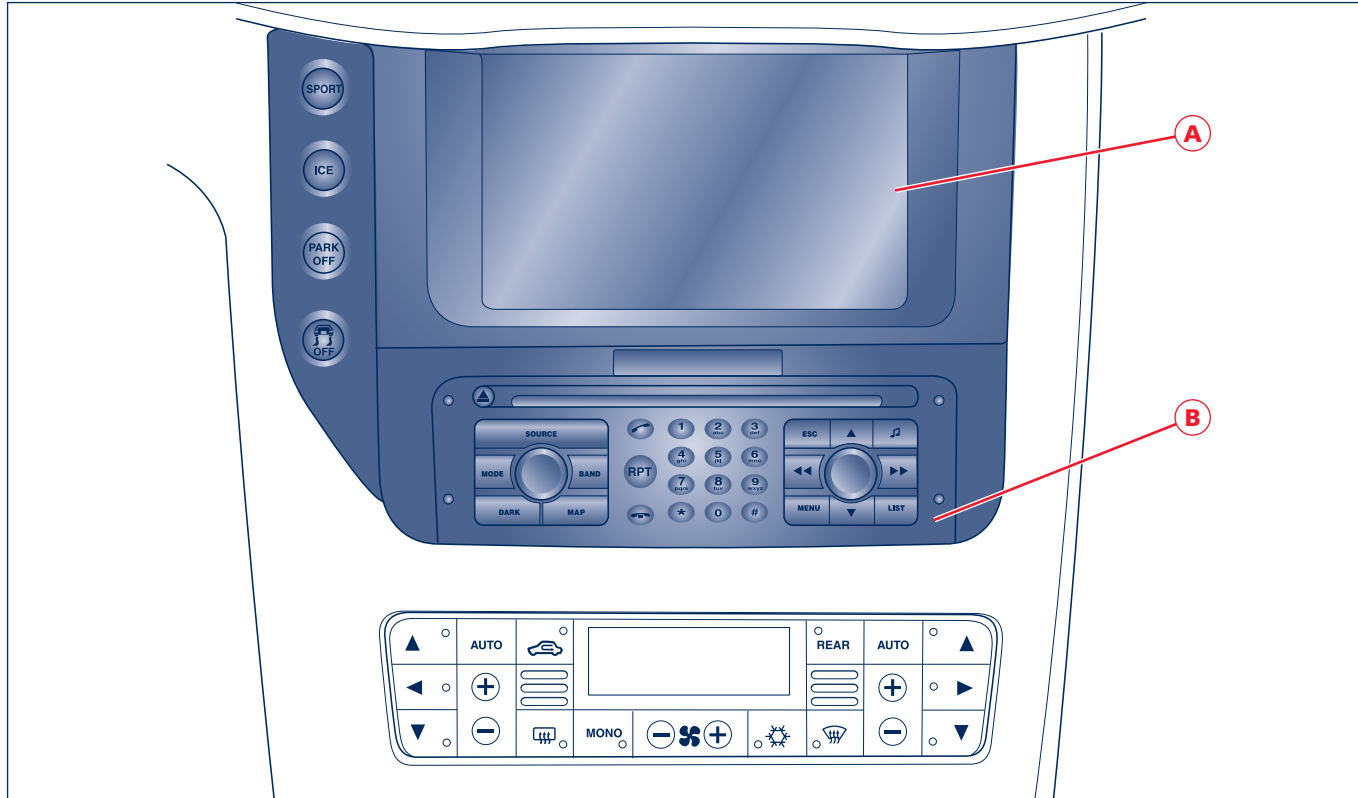
The navigation system assists the driver while driving, providing advice and suggestions, by means of voice guidance and graphic information, for the route to take for reaching the set destination. The suggestions provided by the navigation system do not relieve the driver from full responsibility for the maneuvers made through traffic while driving, or from compliance with road regulations and other provisions regarding road traffic. The person driving the vehicle is always and in any case responsible for safe driving on the road.

The vehicle is equipped with a specific supplement to the owner's manual, that describes the Maserati Multi Media System in detail and lists all of the warnings and precautions for use, which are essential for safe use of the system. We advise you to read this booklet carefully and thoroughly and to keep it within reach at all times.

Controls

A - Display

B - Multi Media System controls





Radio

The RADIO mode is activated by pressing button **MODE**. If in "Configuration" mode the "Radio" option under "Info repetition on instrument panel" is activated, the radio station selected or "SEARCH" function is shown on the instrument panel display, depending on the operation the system is performing. Press the right-hand knob to access the main functions:

- enter frequency;
- deactivate RDS search;
- activate regional mode;
- deactivate radio text.

Note: SIRIUS satellite radio, U.S. service only available in the 48 United States and Canadian Markets. Subscription is required.

CD, MP3 and Jukebox

The CD/MP3 and Jukebox modes are activated by pressing the MODE button. If in "Configuration" mode the "Radio" option under "Info repetition on instrument panel" is activated, the CD, MP3 or Jukebox and the track played are shown on the instrument panel display. In CD /MP3 mode, press the right-hand knob to access the main functions:

- copy CD to Jukebox;
- activate Intros can;
- activate random mode;
- activate repeat.

In Jukebox mode, press the right-hand knob to access the main functions:

- control Jukebox;
- configure Jukebox;
- delete Jukebox data.

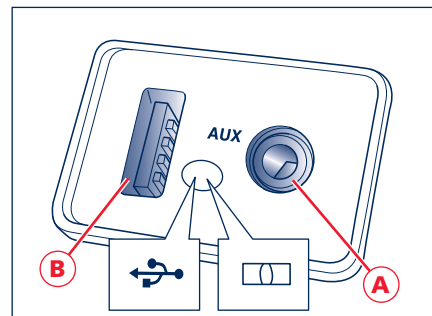
AUX module*

Positioned in the glove compartment, the AUX auxiliary input **A** has the following characteristics:

- Typical input impedance between AUX-IN and AUX_REF: 13Kohm.
- Max. applicable voltage: 0.75Vrms at 1kHz.
- Input compatible only with 3.5 mm (not included).

Therefore, any player that has these characteristics as well as an analog audio output (like a headset output) can be connected to the Multi Media System.

The MMS system is capable of autonomously recognizing whether it is connected to a player socket and, in this case, it enables access to the audio functions connected to this source.





USB Socket*

The socket **B** is available in two different versions: the type provided with your vehicle can be identified by the symbol shown next to it:

 - USB Recharge

 - USB Full

USB Recharge Socket

Socket exclusively dedicated to powering the external source, of course if this is designed for this purpose (e.g. iPod).

This socket cannot be used for data exchange.

USB Full Socket

This socket allows you to exchange data and power the connected source. If there are MP3 files on the USB key, they will automatically start playing. This will not occur if you are already listening to a music source; in this case, you need to select the USB function by repeatedly pressing button **SOURCE**.

iPod Connection*

An iPod can be connected to the system via the USB (full) and AUX sockets by means of a special cable (optional) The Multi Media System will then control the following functions: play, pause, fast forward, rewind, next track, previous track, random or repeat mode, selection and navigation of playlist/genre/artist/album/Podcast.

*Note: On the Maserati website, at www.maserati.com, or through the **Authorized Maserati Dealer** you can consult the list of iPod devices compatible with the Multi Media System, together with their level of compatibility.*

Onboard Trip computer

The on-board Computer mode is activated by pressing the **MODE** button. Press the right-hand knob to access the main functions:

- service info
- function status
- reset Trip A
- reset Trip B.



Bluetooth® function

The Multi Media System uses the Bluetooth® technology to make and receive calls using a mobile device enabled and compatible with Bluetooth®. After pairing your mobile to the system, the incoming and dialed calls will be identified and shown on the Multi Media System display and on the instrument panel (if this feature is enabled). After pairing the system to a mobile device, all the contact list information currently stored on the mobile will be uploaded to the system and it will be updated every time the pairing procedure is performed.

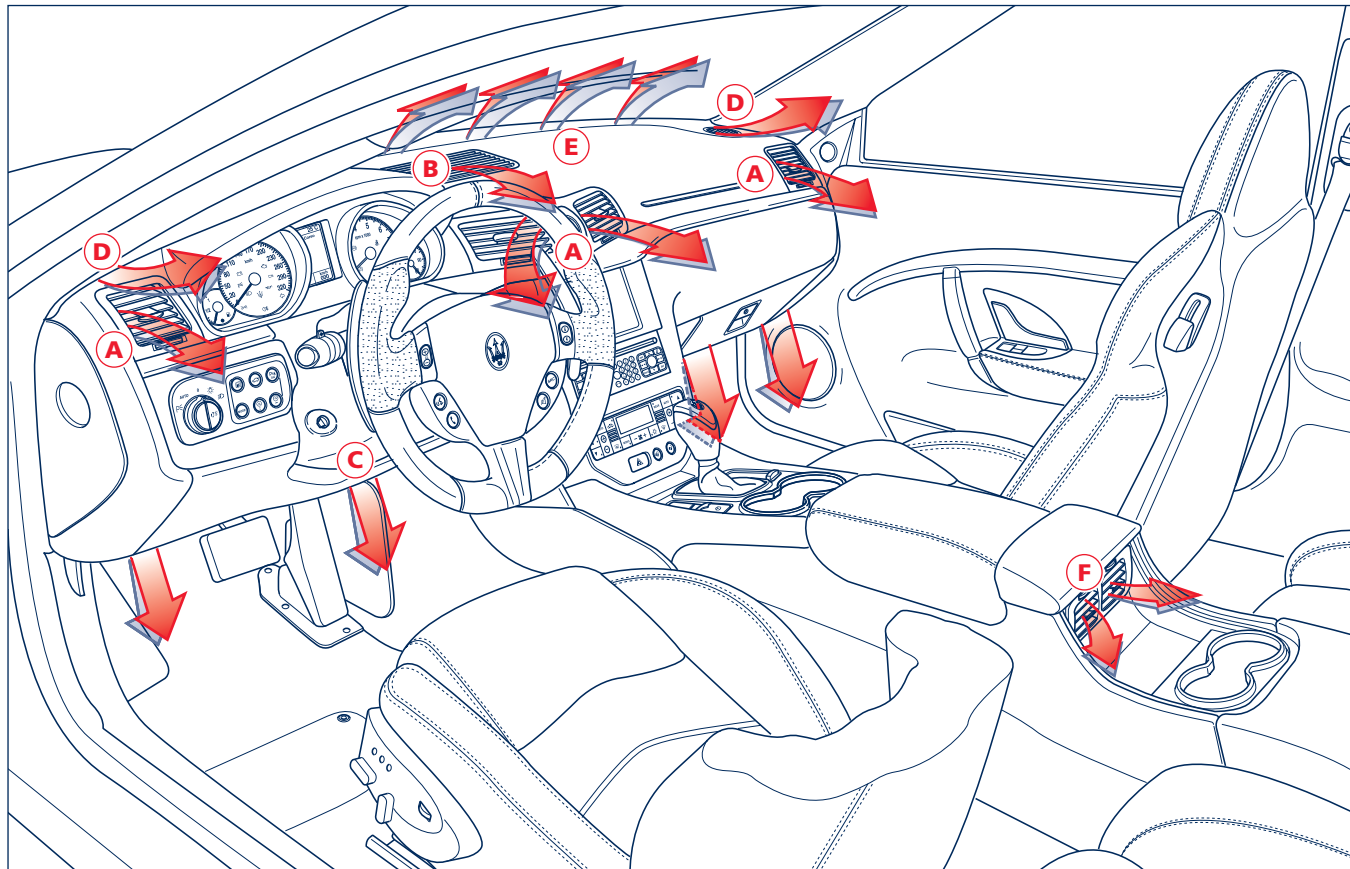
*Note: On the Maserati web site, at www.maserati.com, or through the **Authorized Maserati Dealer** you may consult the list of telephones that are compatible with the Multi Media System, and their level of compatibility.*

Navigator

When “Navigation” mode is active, the “Navigator” option under “Info repetition on instrument panel” is activated and the following information is shown on the instrument panel display:

- name of the next road to take
 - distance to the next maneuver
 - pictogram of the next maneuver.
- Press the right-hand knob to access the main functions:
- select destination;
 - layovers and route;
 - route guidance options;
 - stop guidance (only when navigation mode is active).

** Options depending on the model and market availability.*





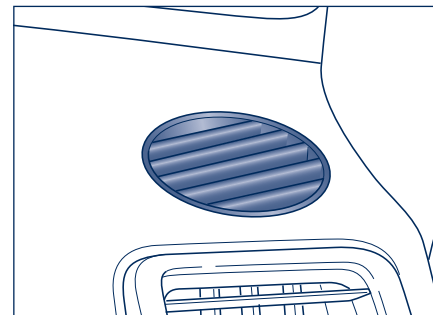
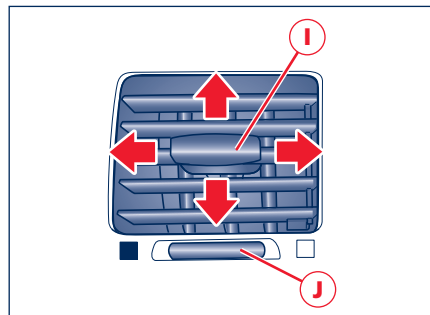
- A - Front central and side vents
- B - Upper dashboard vent
- C - Lower dashboard vents
- D - Upper side dashboard vents
- E - Windshield vents
- F - Rear central vents

Adjustable vents

These can be positioned vertically and longitudinally using control **I**. Using control **J**, the air flow distribution can be adjusted. Vents **A** and **F** have these features.

Fixed air distribution vents

These cannot be adjusted and are designed specifically for demisting/defrosting or cooling/heating certain areas. Vents **B**, **C**, **D** and **E** have these features.



Automatic air conditioning system control

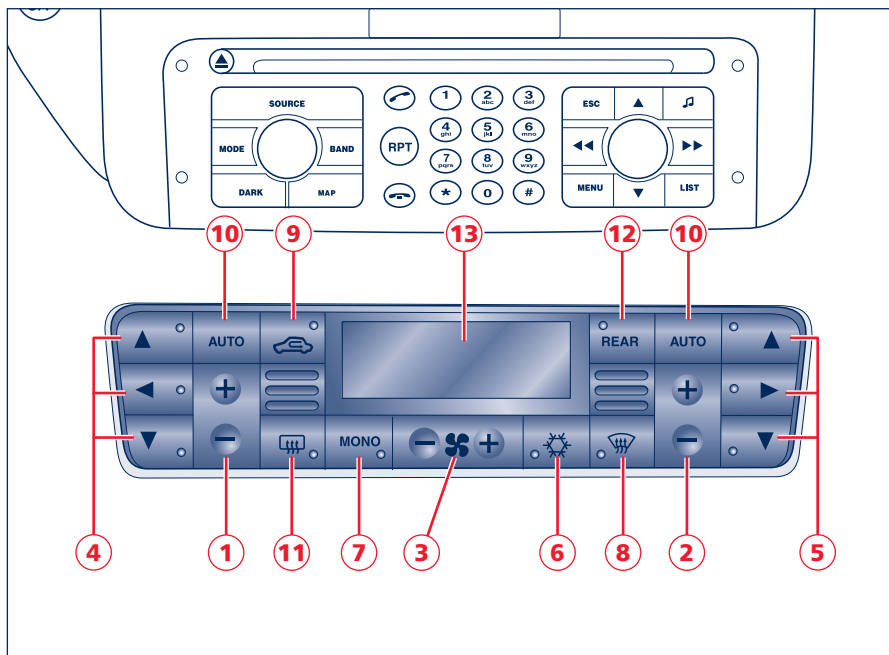
- 1) left-hand side temperature setting
- 2) right-hand side temperature setting
- 3) fan speed adjustment control
- 4) air distribution on 7 positions to the left-hand side

- 5) air distribution on 7 positions to the right-hand side
- 6) air conditioning system compressor activation/deactivation button
- 7) single/dual zone selection button
- 8) defrosting/demisting activation/deactivation button (MAX DEF function)

- 9) air recirculation activation/deactivation button
- 10) automatic/manual system control button
- 11) heated rear window activation/deactivation button
- 12) opening/closing of air duct leading to rear vents
- 13) Air conditioning display, showing the following informations:

- left-hand side temperature;
- fan speed, represented by a bar-graph diagram;
- right-hand side temperature;
- AUTO/FULL AUTO functionality, for each side.

When the system is in OFF condition, no indications appear on the display.





General

The vehicle is equipped with an automatic dual-zone air conditioning system.

This systems adjusts the air temperature, distribution and flow in the passenger compartment, in two separate zones: left-hand side and right-hand side.

Through the panel incorporated in the center console the user can control the following parameters/functions:

- left-hand/right-hand vent air temperature
- left-hand/right-hand vent air distribution
- fan speed (stepless change)
- compressor activation
- air recirculation.

All the functions listed above can be modified manually, i.e., the user can select one or more of these functions as desired, using the control panel.

The manual selections always have priority over the automatic ones and are memorized until the user chooses the automatic control again.

When a function has been set manually, the other automatic functions will not be affected. The following parameters/functions can be set/modified manually:

- left-hand/right-hand side air temperature
- fan speed
- air distribution on 7 positions (left-hand/right-hand)
- compressor activation
- single/dual-zone distribution priority
- defrosting/demisting function (MAX DEF)
- air recirculation
- automatic/manual control of the system
- heated rear window
- system deactivation
- opening/closing of air duct leading to rear vents.

The system is equipped with a demisting system which, by means of a sensor (positioned behind the internal rear-view mirror) "checks" a predefined surface area of the windshield and automatically activates a special strategy to prevent or reduce misting up. The sensor can be disabled by operating any system

control when the strategy is active. The sensor is enabled upon ignition and whenever the user presses one of the buttons **10** AUTO.

WARNING: To ensure proper functioning of the sensor, do not apply adhesive parking stickers, etc. in the "checking" area between the sensor and the windshield. Therefore, keep the windshield and the sensor clean to prevent accumulation of dust or other impurities.



Activation

The system can be started up in a number of ways. It is however advisable to begin by pressing one of the buttons **10** AUTO and using the buttons **1** or **2** to set the desired temperature. This way the system will operate in fully automatic mode so that the temperatures set will be reached as quickly as possible.

In this condition, manual operations will activate the following functions:

- MONO button **7** adjusts the air temperature and distribution in the two heating/air conditioning areas.
- REAR button **12** enables/disables the air flow to the rear vents
- button **6** turns off the compressor
- button **8** activates/deactivates the defrosting/demisting function on the front side windows
- button **11** activates/deactivates the heated rear window.

By altering any other parameter manually, such as the air temperature or distribution, these features switch from the fully automatic control mode (FULL AUTO) to manual mode (AUTO).

On starting the vehicle after stopping, the various parameters are controlled manually or automatically, depending on the options selected by the user before turning the engine off.

Therefore all the manual operations performed before the vehicle is turned off are stored and maintained for the next start up.

This also applies to the OFF function described in the following.

System deactivation (OFF function)

If the compressor is deactivated by setting the fan speed control **3** below the first bar, the A/C system will be turned off.

When set to OFF, the heated rear window button **11** and recirculation button **9** are controlled normally without activating the air conditioning system.

Exiting the OFF mode, the recirculation function will switch back to Automatic mode.

To reactivate the A/C system when OFF select one of the following options:

- fan speed "+";
- A/C compressor;
- MAX DEF;
- AUTO.

Recirculation

This function is activated by pressing button **9** and allows only the air already in the passenger compartment to circulate.

The recirculation function has various operation modes:

- Forced closed recirculation (LED on button illuminated)
- Forced open recirculation (LED on button off).



Automatic mode

When the compressor is deactivated or outside temperatures are below 37.4 °F (3°C), the automatic recirculation function is deactivated automatically.

After prolonged operation (over 15 minutes in a row), the system deactivates the recirculation function automatically for safety reasons, allowing the exchange of air once again.

Forced closed recirculation

In this operating mode, the illumination of the amber LED indicates that the recirculation vent is closed.

Forced open recirculation

In this operating mode, the LED turned off indicates that the outside air vent is opening.

AUTO mode

When this button is pressed (one button per zone), automatic mode will control the following functions once again:

- air distribution (for the side concerned)
- fan speed
- compressor operation (illumination of the ECON LED)
- air recirculation.

REAR mode

Press the button REAR 12 (relative LED illuminated) to:

- Open/close the air flow to the rear vents.

This function is active in both "MONO" and "DUAL-ZONE" modes.

System initialization

Every time the battery is reconnected, when the vehicle is started the system must be initialized by activating the compressor. The display automatically shows the passenger compartment temperatures set to 71.6 °F (22°C).

The system is configured as follows:

- AUTO (automatic operation, the words "FULL AUTO" appear on the display).
- Compressor enabled (the LED on the button is illuminated).
- Defrosting/demisting function (MAX DEF) deactivated (the LED on the button is off).
- Heated rear window deactivated (the LED on the button is off).
- Open recirculation.
- Air ventilation and distribution are set by the system.
- REAR disabled (the LED on the button is off), the air flows to the rear vents.



Bose® Surround Sound System

The digital Hi-Fi system, developed in association with BOSE® Surround Sound System, incorporates exclusive accessories such as the innovative speakers with neodymium technology, and makes use of other systems such as AudioPilot®, Centerpoint® active electronic equalization and SurroundStage® amplifier system.

AudioPilot® system

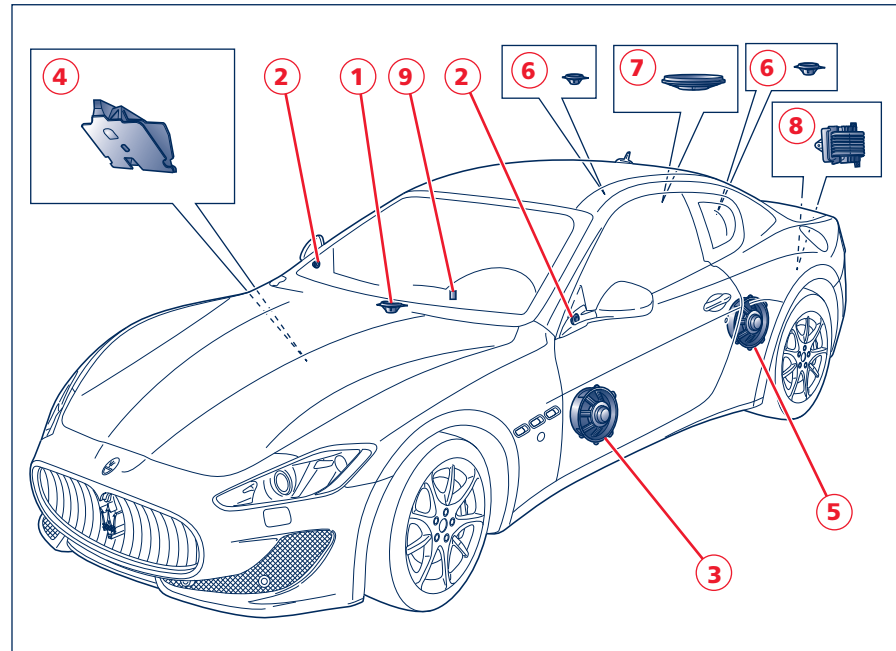
The AudioPilot® technology detects and measures the ambient noise and continuously adjusts a number of acoustic signal parameters accordingly, in order to help ensure optimal sound quality levels inside the passenger compartment.

Centerpoint®

Equalizing system that converts the stereo recordings into 8 separate channels, thus helping to ensure optimal precision with any volume level. The automatic output frequency balancing makes manual adjustments through switches or dials unnecessary.

Diversity system

It is made up of two antennas coupled to each other which, by combining the signal, help the tuner receive a strong frequency and optimize any search for ultra-short waves.





The car radio system is made up of the following parts:

- 1) One 3.1 in (80 mm) Nd (Neodymium) Twiddler for high and medium frequencies, positioned centrally on the dashboard;
- 2) Two 1.4 in (36 mm) Nd (Neodymium) Tweeters positioned in the passenger compartment, near the external rear-view mirrors;
- 3) Two 6.5 in (165 mm) Nd (Neodymium) speakers for low and medium frequencies on each of the door panels;
- 4) One 5.1 in (13 cm) Nd (Neodymium) Woofer® Richbass® powered by an amplifier with two-stage modulation, fitted on the passenger-side footrest;
- 5) Two 6.5 in (165 mm) Nd (Neodymium) speakers for low and medium frequencies, on the side panels of the rear seats;
- 6) Two 3.1 in (80 mm) Nd (Neodymium) Twiddlers for high and medium frequencies, positioned on the side of the rear luggage shelf;
- 7) One 10 in (255 mm) Nd Power® woofer powered by an amplifier, positioned centrally on the rear luggage shelf;
- 8) Digital amplifier (with Centerpoint®, SurroundStage® and AudioPilot® technology, and personalized 8-channel equalization) located on inner left-hand side of luggage compartment;
- 9) AudioPilot® sensor, located to the right of the steering wheel.



Using the vehicle

Starting the engine	132
Electronic automatic gearbox	134
Fuel economy	146
Using the brakes	147
Using the engine	148
Cruise Control	150
Skyhook suspension	153
Headlights	156
Driving conditions	157
Emission control devices	161
Parking	163
Tires	166
Useful accessories to keep in the vehicle	172



Starting the engine



Hold the brake pedal down when starting the engine.



It is dangerous to operate the engine in a closed space. The engine consumes oxygen and discharges carbon dioxide, carbon monoxide and other toxic gases.

WARNING: Before start-up, turn off the electrical devices with a high power absorption (air-conditioning and heating system, heated rear window, headlights, etc.).

WARNING: Do not start the engine if the fuel level in the tank is low.

- 1) Make sure that the electric parking brake is applied and that the doors are closed.
- 2) Hold the brake pedal down when starting the engine.
- 3) Do not press the accelerator pedal.
- 4) Check that the letter **P** (PARK) or **N** (NEUTRAL) is shown on the gear display and on the instrument panel.

- 5) Turn the key to position **AVV** and release it as soon as the engine starts. Do not hold the key in position **AVV** for a long time. If the engine does not start, turn the key to position **STOP (OFF)**, wait for the gear display to go off and then repeat the entire procedure.

The engine can only be started when the gearshift lever is in **P** (PARK) or **N** (NEUTRAL).

With the engine started, release the key, which will automatically return to position **MAR (ON)**.

If the engine does not start, turn the key to position **STOP (OFF)**, wait for the gear display to go off and then repeat the entire procedure.

Starting-off when the engine is cold

Start-off slowly, avoiding sudden accelerations and run the engine at low-medium speeds. High-performance driving should be avoided until the coolant temperature reaches 149-158 °F (65-70 °C).

Emergency starting with auxiliary battery

If the battery is dead, the engine can be started using another battery having the same or slightly higher capacity than the dead one.

Follow the below instructions:

- 1) Connect the positive terminals (+) of the two batteries with a special cable.
- 2) Connect the negative terminals (-) of the two batteries with a special cable.

WARNING: The battery is secured to the vehicle with a metal clamp, so be extremely careful not to let the clips on the end of the cables come into contact with the clamp.



**California Proposition 65
Warning**

**THIS MOTOR VEHICLE CONTAINS
CHEMICALS KNOWN TO THE
STATE OF CALIFORNIA TO CAUSE
CANCER, BIRTH DEFECTS OR OTHER
REPRODUCTIVE HARM (see page 7)**

- 3) Start the engine.
- 4) When the engine starts, remove the cables in reverse order.

If the engine does not start after a number of attempts, do not continue but consult your **Authorized Maserati Dealer**.



Do not perform this procedure if you are unexperienced: incorrect maneuvers can cause high electrical discharges and can even cause the battery to explode.



You are also advised not to approach the battery with open flames or lit cigarettes and not to cause sparks: Risk of explosion and fire!

WARNING: Never use a battery-charger for emergency starting under any circumstances: you could damage the electronic systems and in particular the ECUs that control ignition and fuel supply functions.



Remember that when the engine is not started, the brake servo and power steering systems are not functioning and therefore the effort required on the brake pedal and steering wheel is much greater.

Turning off the engine

With the engine idling, turn the ignition key to **STOP (OFF)**. A burst on the accelerator pedal before turning off the engine has no purpose and increases fuel consumption.

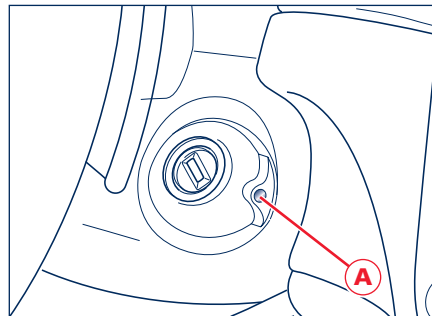
WARNING: The ignition key can only be removed from the switch when the gearshift lever is in position **P** and within 30 seconds after turning the key to **STOP (OFF)**. If you do not remove the key within 30 seconds, you will need to turn it back to **MAR (ON)** and then to **STOP (OFF)** to have a further 30 seconds within which to remove the key.



**California Proposition 65
Warning**

**THIS MOTOR VEHICLE CONTAINS
CHEMICALS KNOWN TO THE
STATE OF CALIFORNIA TO CAUSE
CANCER, BIRTH DEFECTS OR OTHER
REPRODUCTIVE HARM (see page 7)**

In the event that the key unlocking system fails or if it is not possible to shift the gearshift lever to **P**, to remove the key you must turn it to **STOP (OFF)**, then remove the cap **A** using a pen or sufficiently pointed tool, then press the button just uncovered and at the same time extract the key. Once the key has been removed, refit the cap **A**.





Electronic automatic gearbox

The electronically-controlled gearbox has six forward gear ratios and one reverse gear. The gears can also be engaged manually once you have shifted the gearshift lever to the sector provided.

The gearbox controls are the following:

- A** - gearshift mode selection lever;
- B** - button on the gearbox lever to engage **R** (Reverse) and **P** (PARK);
- C** - button **SPORT**;
- D** - button **ICE** (low grip);
- E** - gear display.

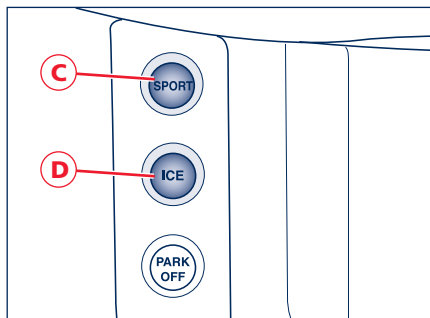
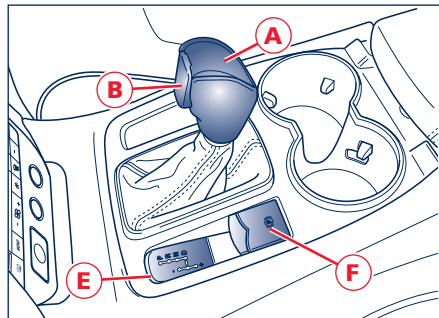
The **SPORT** and **ICE** modes can be selected both when the gearbox is set to automatic (**AUTO**) and to sequential manual (**MANUAL**) operation.

The gearbox operating mode is controlled by the lever **A**.

This lever can be moved to the following positions:

- P** – (PARK)
- R** – (REVERSE)
- N** – (NEUTRAL)
- D** – (DRIVE)
- + / - – (MANUAL)

The position of the gearshift lever **A** is shown on the gear display **E** by the illumination of the corresponding letter. This letter is also shown on the instrument panel display.



WARNING: In order to correctly use the automatic gearbox, it is essential that you first read through this whole chapter so that you can learn which operations are correct and permitted.

The gearbox is also equipped with Shift-Lock and Key-Lock safety systems.

Shift-Lock

This safety system allows you to shift from **P** (PARK) to another position only if the brake pedal is depressed. This prevents the vehicle from involuntarily jumping forward or backward.

Key-Lock

This function allows you to remove the key from the ignition switch only when the gearshift lever **A** is in position **P** and within a maximum time of 30 seconds; when this time has elapsed, the key can no longer be removed.

Starting the engine

The engine can only be started when the gearshift lever **A** is in **P** or **N**.



Always start the engine holding the brake pedal depressed.

WARNING: After starting the engine and setting off, do not depress the accelerator pedal before and while shifting the gearshift lever **A**. This is particularly important when the engine is cold.

Driving the vehicle

After starting the vehicle, with the engine idling and the brake pedal depressed (Shift-lock safety), move the gearshift lever **A** to position **D** or in the position for sequential manual gearshifting +o - . Release the brake pedal and gradually depress the accelerator pedal.

WARNING: The gearshift lever can be moved to position **P** only when the ignition key is in the **MAR (ON)** position and the button **B** and the brake pedal are pushed (Shift-lock safety).

For safety reasons, the gearshift lever **A** can be moved from position **D** to positions **R** and **P** only when button **B** is pushed. It is also advisable to depress the brake pedal during this maneuver.

WARNING: Do not run the engine at top RPM until it has reached stable operating temperature.

WARNING: In the case of performance starting, check that the electric parking brake is disengaged.



Do not keep the vehicle stationary for a long time with the brake pedal depressed, the gearshift lever in D and the engine running, as this may lead to malfunctions.

WARNING: For more comfortable starting (with the gearshift lever in **D**, **R** or **Manual** and the electric parking brake - EPB - engaged), push the brake pedal, manually deactivate the EPB system by pulling up the lever **F**, and push the accelerator pedal.

Hill Holder Strategy

The Hill Holder system helps the driver when starting-off on uphill slopes. It activates only following a vehicle stop when the brake pedal is released, keeping the vehicle stationary for a moment, so as to allow the driver to move his foot from the brake to the accelerator pedal. The system is activated on slopes with a gradient of more than 15°.

Stopping the vehicle

Regardless of the position of the gearshift lever **A**, you must only depress the brake pedal to stop the vehicle.



When the gearshift lever is in position D, R or MANUAL, the engine idling and the vehicle on an even surface, if the brake pedal is not depressed, the vehicle can move.

The ignition key can be removed from the switch only when the gearshift lever **A** is in position **P** and within 30 seconds from turning the key to **STOP (OFF)**. The letter **P** (Key-Lock safety) is displayed on the instrument panel for this entire time.

If you do not remove the key within 30 seconds, you will need to turn it back to **MAR (ON)** and then to **STOP**



(OFF) to have a further 30 seconds within which to remove the key.

WARNING: In the event that the key unlocking system fails or if it is not possible to shift the gearshift lever to **P**, to remove the key you must turn it to **STOP (OFF)**, then remove the cap **G** using a pen or sufficiently pointed tool, then press the button just uncovered and at the same time extract the key. When the operation has been completed, refit the cap **G**.

If you turn off the engine with the gearshift lever **A** in a position different from **P**, an acoustic signal will sound for a few seconds and a message will be displayed indicating to shift the lever to **P**.

When the driver's door is opened with the gearshift lever **A** in a position different from **P**, an acoustic signal will sound for a few seconds and a message warning the driver that the gearshift lever is not in **P** will be displayed.



For your safety never shift/change gears with the doors, trunk lid or the engine compartment lid open.

Selecting automatic or sequential manual operating mode

The gearbox can be used both in fully automatic mode (position **D**) and in sequential manual mode (positions + o -).

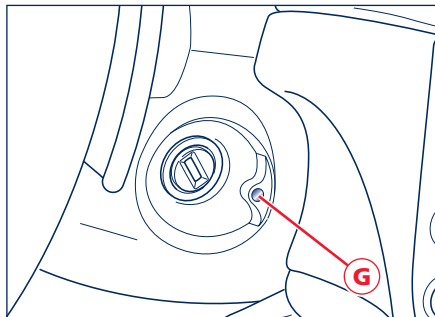
To select the mode, shift the gearshift lever **A** to:

D – automatic gearshifting (**AUTO**);
MANUAL (+ / -) – sequential manual gearshifting

The lever can always be shifted from one position to the other, even when the vehicle is moving.

The lever can continuously be shifted from **D** to **MANUAL**.

If automatic gearshifting has been set, the word "AUTO" and the letter **D** will be shown on the instrument panel display, while if sequential manual mode has been set, the word "MANUAL" and the gear engaged will be shown on the same display.





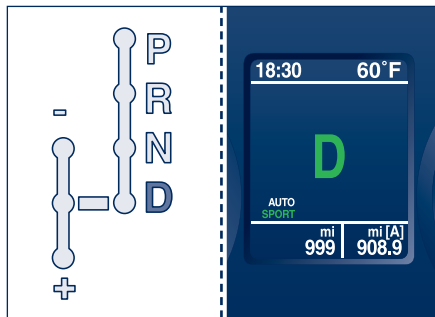
Automatic operation (AUTO)

For automatic operation, move the gearshift lever **A** to one of the following positions:

- P** – Park
- R** – Reverse
- N** – Neutral
- D** – Drive, automatic forward gear (6 forward gears)

The position of the gearshift lever is shown on the gear display **E** by the illumination of the corresponding letter. This letter is also displayed on the instrument panel.

The gearshift lever **A** can be moved from **D** to **N**, as desired. To engage or disengage **R**, you must also press button **B**.



Position **P** is engaged by pressing the button **B** and then moving the gearshift lever; it is disengaged by pressing the button and the brake pedal at the same time. It is advisable to also hold the brake pedal depressed when moving the gearshift lever to the other positions.

P – Park

When parking the vehicle, shift the lever to **P**. A gearbox device will lock the driving wheels.

WARNING: Shift the lever to position **P** only when the vehicle is stationary. Therefore, it is advisable to perform this maneuver with the brake pedal depressed.

WARNING: To prevent accidental engagement, the gearshift lever can only be moved from **P** to any other position when the button **B** and the brake pedal are depressed.

WARNING: Before getting out of the vehicle, check that the automatic parking brake is engaged. Move the gearshift lever to **P** even when you need to get out of the vehicle only for a few seconds.

If you turn off the engine with the gearshift lever **A** in a position different from **P**, an acoustic signal will sound for a few seconds and a message will be displayed indicating to shift the lever to **P**.

When the driver's door is opened with the gearshift lever **A** in a position different from **P**, an acoustic signal will sound for a few seconds and a message warning the driver that the gearshift lever is not in **P** will be displayed.

WARNING: In the event of a battery failure, manually release the driving wheel locking device before you drive following the procedure on the next page.



In the event of a battery failure, move the gearshift lever from **P** to another position before moving the vehicle.

To do this, follow the emergency procedure described below:

- remove the covering plate **H** in front of the gearshift lever;
- using a small tool, push on the gearshift lever locking mechanism through the hole;
- at the same time slightly move the gearshift lever towards the **N** position, in order to free the lever locking mechanism;

- remove the small tool from the hole, being careful not to move the gearshift lever;
- shift the lever fully into **N**;
- close the hole using the covering plate **H** to prevent foreign bodies from falling into the gearbox and damaging it.

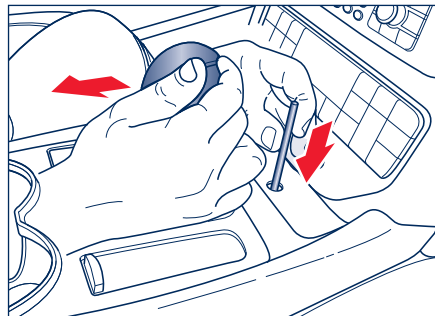
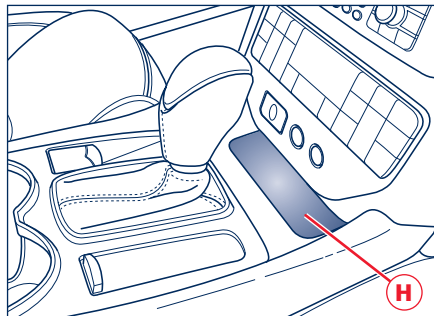
The gearshift lever is now released.

While moving the gearshift lever, remember to press the button **B** on the lever.

WARNING: Work extremely carefully so as not to damage the trim panels.

If the automatic parking brake engagement system is active, the EPB will be automatically applied when the vehicle is stopped, see page 163.

WARNING: In the event of a battery failure, manually disengage the parking brake (EPB) before you drive, see page 165.





R - Reverse gear

With the vehicle stationary, the engine idling and the button **B** pressed, move the gearshift lever **A** to position **R**. It is advisable to also depress the brake pedal when shifting to this position. When the lever is in position **R**, the system emits an acoustic signal for a few seconds. You can also move the gearshift lever to **R** when the vehicle is not completely stationary, however, this does not mean that reverse gear is actually engaged, since there is a limit speed above which the gear may not be engaged. When the speed goes below this limit, reverse gear is engaged.

WARNING: To avoid engaging any gears accidentally, moving the lever from position **R** to any other position is only possible when button **B** is pressed. It is advisable to depress the brake pedal also when shifting to another position.

N – Neutral

With the vehicle stationary and the brake pedal depressed, move the gearshift lever **A** to **N**. This function should be used when you need to tow or push the vehicle.

D – Automatic forward gear

Select this position when you wish to use all the automatic gearshift functions.

With the vehicle stationary and the brake pedal depressed, shift the gearshift lever **A** to **D**; if the lever is positioned on **P** also press the button **B**.

When the function is set, the letter **D** illuminates on the gear display and on the instrument panel.

When this function is active, the ECU controls automatic engagement of the six gears. The gears will be engaged in relation to the traveling speed, engine RPM, accelerator position, speed with which the pedal is depressed as well as the traveling conditions (e.g., uphill, downhill, curves).

The system has been programmed to classify different driving styles, in relation to the above mentioned parameters, and to associate them with the various vehicle settings, which go from extremely comfortable and economic driving to racing-style driving. The setting is selected automatically.

+ / - – Sequential manual operation (MANUAL)

This allows you to manually engage gears while driving.

With automatic gearshifting selected (position **D**), move the gearshift lever **A** to position + or -.

When this mode is selected, the symbol + or - illuminates on the gear display **E**, based on the position of the gearshift lever, the gear engaged is shown on the instrument panel display.



When sequential manual operation is selected, upshifting or downshifting must be performed manually.

To engage the gears, shift the gearshift lever **A** to one of the following two positions:

- + UP to engage a higher gear
- DOWN to engage a lower gear.



WARNING: Some conditions will always remain automatically controlled, for example, when the engine is overrevving or underrevving, the system automatically engages a higher or lower gear.

WARNING: If you request a gearshift in conditions where the engine is overrevving or underrevving, the system will not accept the command.

WARNING: The ECU is programmed to control one gearshift at a time, therefore, fast and repeated actions will not necessarily result in a gearshift. A higher or lower gear is engaged only if the previous procedure requested has been completed.

When the system refuses to engage a gear, an acoustic signal will sound for a few seconds.

Sequential manual operation can only be selected from the **D** position, whatever the function (**SPORT**, **NORMAL**) active at the time of the request.

The gear selected by the automatic gearbox will remain engaged when the lever **A** is moved.

Moving the lever back to **D**, automatic operation will instantly be resumed, and a gear will be engaged based on the driving style and mode selected.

In the event of a failure of the sequential manual gearshift system, the gearbox ECU will select automatic operation.

Other system functions

The settings automatically selected by the system operate in three modes:

- **NORMAL**
- **SPORT**
- **ICE** (Low Grip).

Activate the desired mode by pressing the relative button.

The active mode is shown on the instrument panel display.

For each mode there are various vehicle settings, that are automatically set by the system in relation to the traveling speed, engine RPM, accelerator position, speed with which the pedal is depressed as well as the traveling conditions (e.g., uphill, downhill, curves).

NORMAL

This mode is intended specifically for comfortable and fuel-economy driving (low longitudinal and lateral acceleration); the gears are shifted with minimum vibration in lowest noise (gears are shifted at low engine speeds).



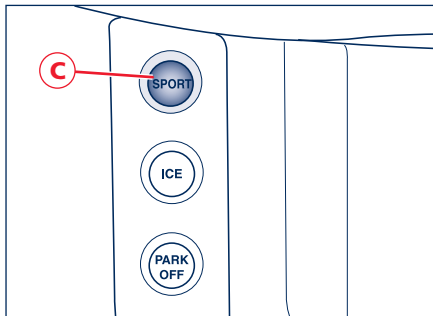
SPORT

It is activated by pressing the button **C**; on the instrument panel and the word "SPORT" illuminates on the display.

To return to **NORMAL** mode from **SPORT** mode, press the button again. As **SPORT** mode has a lower priority than "low-grip" mode, if this is already active when activating **SPORT** mode, the system will ignore the command.



In addition to providing faster gearshifts than in **NORMAL** mode and to keeping engine power reduction by the ASR system to a minimum, **SPORT** mode also acts on the exhaust opening.



Fast gearshifting however, always depends on the accelerator pedal travel and on the engine RPM, as in **NORMAL** mode.

In **MANUAL** mode, DOWN-shifts with the accelerator pedal released, will have a braking effect approaching the skidding limit of the driving wheels on dry asphalt.

Under sports-style driving conditions with gearshifts at high engine RPM, double-clutching when up-shifting is performed automatically.

WARNING: In addition to enhancing performance, opening of the exhaust also increases noise levels of the vehicle.



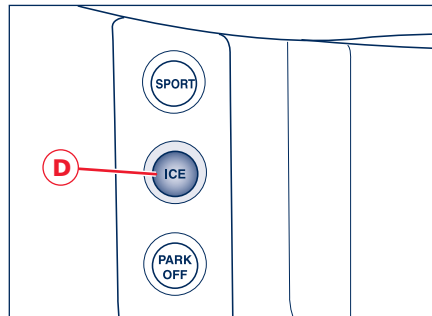
It is advisable not to use **SPORT** mode on roads with low or medium grip conditions (e.g. ice, snow, or wet roads) as the driving wheels could skid during gearshifts.

If you use **MANUAL** and **SPORT** mode in combination for sports-style driving, when starting-off or shifting gears, you may perceive an initial slipping of the driving wheels even on dry roads.

"ICE" Low Grip

This mode can be used on particularly slippery road surfaces (e.g., rain, snow, ice). To activate/deactivate this mode, press button **D**. The word "ICE" will illuminate on the instrument panel display.

In "low-grip" mode, the system uses 2nd instead of 1st gear; this means that 2nd gear will automatically be engaged (gearshift lever in D) in the event of standing starts in automatic mode; on the other hand, when in sequential manual mode (gearshift lever in **MANUAL**), moving the gearshift lever **A** from neutral or reverse or when the vehicle stops, 2nd gear will automatically be engaged. When sequential manual mode is selected with 2nd gear engaged, a downshift request will be ignored.





While driving, the system automatically switches to the upper gear if the engine reaches the pre-established speed (3000 RPM). "Low-grip" mode has priority over **SPORT** mode and assists the **ESC** system.



A downshift request from 6th to 5th gear will only be accepted if the engine speed rate in 5th gear is lower than 3000 RPM. As "low-grip" mode can be activated at any time and the system limits the engine speed to 3000 RPM in all gears except for the 6th, unrequested gearshifts could take place.

5

In any case, it is advisable to deactivate **SPORT** mode before selecting "low-grip" mode.

When sequential manual gearshifting is active, regardless of the mode set (**NORMAL / SPORT / ICE**), the gearbox will automatically upshift or downshift when reaching the minimum and maximum RPM. This is to prevent engine overrevving or underrevving.

Strategies for downhill driving

When the accelerator pedal is released, the gearbox system detects that the vehicle is moving downhill and deactivates upshifting. When the accelerator pedal is depressed, upshifting is reactivated but will be delayed.

When the brake pedal is depressed, the gearbox system downshifts to provide enhanced engine braking power.

For instance, when driving downhill, the gearbox system operates so as to avoid upshifting and shifting gears when the accelerator pedal is released, and delays gear engagement by a few seconds when the accelerator pedal is depressed. In addition, when the brakes are applied, it engages the lowest gear in order to provide enhanced engine braking power. This strategy is designed to improve downhill driving safety.

Strategies in curves

The system detects when the vehicle goes into a curve through the lateral acceleration and the steering angle. Detecting this condition, it controls gearshifting using a specific mode. This mode is exited when the vehicle comes out of the curve, at a distance

that varies depending on the vehicle speed.

Fast-off strategy

When the accelerator pedal is fully released, the system deactivates upshifting.

The next time the pedal is depressed, upshifting will be reactivated only after a few seconds.

Upshifting is also deactivated when the accelerator pedal is partially released; the system waits the time necessary to evaluate if the release action is completed.

Hot-mode strategy

In the event that the engine oil or coolant temperature is too high or both, the gearbox system reduces the maximum engine speed to 4000 RPM. Therefore, upshifting will occur at this limit.

This strategy does not apply to downhill driving, so as to always have the efficiency of engine braking together with the standard braking system.

ESC system operations

In order to help prevent unstable driving conditions, the **ESC** system may request the gearbox system to deactivate gearshifting. The system

handles this request depending on the gear engaged and on the RPM, and decides whether to accept it or not.

Cruise Control

With the Cruise Control function, the gearbox system selects shift points as to provide enhanced comfort and fuel-economy.

MC Start Strategy (optional equipment)

With the aim of optimizing standing starts for performance driving (only recommended for use in areas closed to traffic and in accordance with traffic laws), the automatic gearbox system is equipped with quick start strategy.

This strategy is activated when the following conditions occur simultaneously:

- **AUTO** and **SPORT** modes active;
- **ESC** mode OFF;
- brake pedal depressed.

In these conditions, the driver has the possibility to accelerate and, keeping the brake pedal depressed, keep the vehicle standing until reaching an engine speed between 2300 and 2500 RPM and then, upon releasing

the brake pedal, have the optimal standing start performance.




This strategy must only be used on vehicles in areas closed to traffic, in accordance with traffic laws and only by skilled drivers.

Malfunction indication

The malfunctions indicated are attributable to two causes:

- Gearbox failure
- Gearbox oil temperature too high

In both cases, the warning light  comes on. In the first case, it is accompanied by the following message on the display: "Check transmission go to dealer" in the second case: "High gearbox oil temperature".

Gearbox failure

This message indicates a gearbox system malfunction, therefore, if you are driving, the ECU that controls the device sets an emergency program.

WARNING: In these conditions, we recommend that you stop the vehicle and turn off the engine for at least one minute. When restarting the engine, the autodiagnostic system

may erase the malfunction, which will in any case be recorded by the ECU.

In failure conditions, the gearshift lever **A** can always be moved to **R**, **N** and **D**.

When shifting to **D**, only a few gears will be available, depending on the malfunction found.

WARNING: If a gearbox failure is signaled, take your vehicle to the nearest **Authorized Maserati Dealer** as soon as possible to have the malfunction corrected.

If the failure is signaled when the engine is started, it means that the gearbox ECU detected a fault when the vehicle was last used. Also in this case, take your vehicle to the nearest **Authorized Maserati Dealer** to have the gearbox checked.




When the gearbox is malfunctioning, drive very carefully considering that vehicle performance is reduced. In addition, the reverse gear safety lock may not be active: absolutely do not shift the lever to R when the vehicle is moving.



Gearbox oil temperature too high

This message is displayed when the gearbox oil has reached the maximum temperature. In this case, the gearbox ECU sets an emergency program.

WARNING: It is advisable to stop the vehicle, shift the lever to **P** or **N** and keep the engine running idle until the warning light  goes off and the message disappears. Resume driving without demanding high engine performance. If the warning light comes on again and the message reappears, stop once again letting the engine idle until the light goes off and the message disappears. If the interval between the two indications is less than 15 minutes, it is advisable to stop the vehicle, turn off the engine and wait for the engine/gearbox assembly to fully cool down.

Push start

The engine cannot be push-started. If the battery is dead, start the engine using an appropriate emergency battery following the instructions given in Section 6 "In an emergency".

Towing the vehicle

If you need to tow the vehicle, observe the following recommendations:

- if possible, have the vehicle transported on a vehicle equipped with loading platform and specific for roadside assistance and recovery.
- If this is not possible:
 - tow the vehicle for a distance of less than 62 mi (100 km) at a speed below 37 mph (60 km/h).

Tow the vehicle using the towing hook found in the toolkit. Screw the towing hook down tightly in its seat, on the lower, right-hand side of the front bumper.

In order to tow the vehicle, turn the key to **MAR (ON)** and engage Neutral by shifting the gearshift lever **A** to **N**. Should the EPB be applied, you must disengage it (see page 163).

The maximum angle of the towing cable, both horizontal and vertical shall be $\pm 15^\circ$.



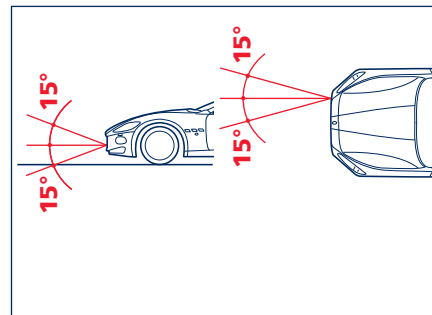
Do not extract the key, as the steering wheel will lock automatically and you will be unable to steer the wheels.



When towing the vehicle, make sure that you observe the road traffic regulations concerning both the towing device and driving conduct.



When towing the vehicle with the engine off, remember that, without the assistance of the brake servo, a stronger effort is required on the brake pedal for braking and on the steering wheel for steering.





Screw the towing hook into its seat (approx. 11 turns). Clean the threaded seat completely before tightening the hook.

WARNING: The maximum angle of the towing cable, both horizontal and vertical shall be $\pm 15^\circ$.

Gearshift paddles on the steering wheel

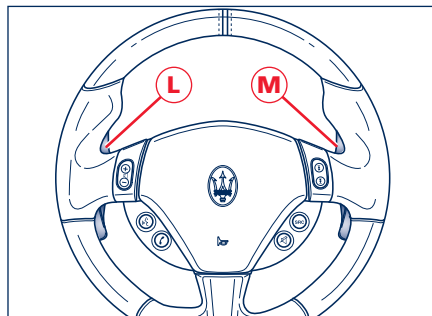
In sequential manual operating mode, upshifting and downshifting can be controlled not only with the gearshift lever **A** but also with the two paddles positioned behind the steering wheel.

L - Lower gearshift paddle DOWN

M - Upper gearshift paddle UP

Also in automatic gearbox mode, when the gearshift lever **A** is in position **D** (DRIVE), you can shift to a different gear by moving one of the paddles. This action will temporarily switch the system to sequential manual operation.

If you then keep to a constant driving style (low longitudinal and lateral acceleration), the gearbox automatically switches back to automatic operation.





Fuel economy

In order to improve fuel economy, we recommend that you shift gears when the system prompts you to do so.

This will help you to reduce fuel consumption without strongly affecting vehicle performance.

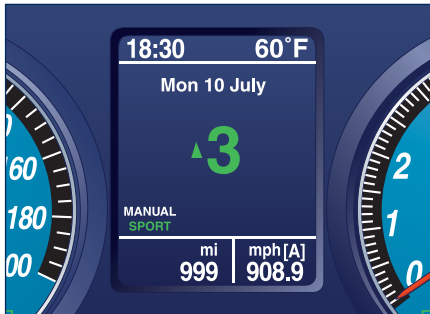
The system will indicate when you should shift gears by displaying a small arrow next to the gear displayed.

This arrow illuminates just before reaching the speed required for gearshifting.

When the recommended gear has been selected, the indicator goes off. If the recommended gearshift is delayed or not performed, the indicator will remain illuminated for a few seconds and will then go off. As soon as the conditions requiring gearshifting are met, the indicator illuminates again, as described above.

The recommended gearshift indicator will only work when the gearbox is set to manual sequential operation.

5



Using the brakes



To obtain a good running in of brake pads and discs, avoid sudden braking during the first approximately 200 mi (300 km).

ABS is a component of the braking system that offers two basic advantages:

- It helps avoid locking of the wheels and thus skidding during emergency braking, especially under low grip conditions.
- It makes it possible to brake and steer at the same time in order to avoid unexpected obstacles or to direct the vehicle where desired when braking: this is in keeping with the physical limits of the tire side grip.

In order to fully exploit the ABS system features:

- You will note a light vibration of the brake pedal during emergency braking or braking under low grip conditions: this is a sign that the ABS is working. Do not release the pedal but continue to press it to give continuity to the braking action.
- The ABS helps prevent the wheels from locking, but it does not increase the physical grip limits between the tires and the road. Therefore, even if your vehicle is equipped with ABS, always keep a safe distance from the vehicle in front of yours and reduce your speed when entering a curve.

The wear limit of the brake pads is indicated by the warning light  and the message "Check Brake Pads" that will be displayed for 10 second. The warning light  will illuminate on the instrument cluster and stay on until the problem has been solved. Please contact an **Authorized Maserati Dealer**.



Using the engine

Running-in

Today's most modern methods of production afford high precision in the construction and assembly of components. However, the moving parts do undergo a settling process, during the first hours of vehicle operation.

Engine and transmission

Avoid exceeding 5000 RPM for the first 620 mi (1000 km).

After starting, do not exceed 4000 RPM until the engine has warmed up sufficiently (water temperature: 149-158 °F/65-70 °C).

Do not let the engine run at a constantly high speed for a prolonged time.

While driving

Never travel with the tachometer approaching the peak RPM - not even downhill.

When the tachometer is approaching the peak RPM (red sector), take precautions to avoid exceeding that limit.

WARNING: Under normal conditions, all the red light warning lights on the instrument panel should be off. When they illuminate, they indicate a malfunction in the relative system. The only exception is the engine oil level warning light, see page 214.


Ensure proper operation of the various devices by checking the relevant control gauges.

WARNING: Continuing to drive when a red warning light is on could cause serious damage to the vehicle and affect performance.



Never turn the engine off while driving downhill as the vacuum decrease prevents the brake booster from functioning correctly. After a few attempts at braking the system will become almost completely inefficient. The power steering will also lose its efficiency in these condition.


Engine control system (OBDII)


This system is designed to continuously monitor the vehicle components associated with emissions; it also indicates, when the warning light  illuminates on the instrument panel, that the components in question need to be checked and if necessary serviced.

The purpose is to:

- keep the system operating efficiently
- indicate when a problem causes an increase in emissions exceeding the threshold established by regulations in force
- indicate the need for replacement of deteriorated components.

In addition, the system includes a diagnostics connector that can be interfaced with special instruments. This makes it possible to read the error codes stored in the control unit, together with a set of specific parameters for the engine operation diagnostics cycle, on compliance with CARB, EPA OBDII rules.


WARNING: Once the engine is started, the warning light  will remain on for approximately 18 seconds before turning off. This is a normal condition and part of the operating strategy.

WARNING: When the ignition key is turned to position **MAR (ON)** if the warning light  does not illuminate or if it illuminates while driving, contact your local **Authorized Maserati Dealer** as soon as possible.

WARNING: After the problem has been corrected, your local **Authorized Maserati Dealer** staff are required to perform tests of the system and if necessary, also road tests which may even involve long distances.

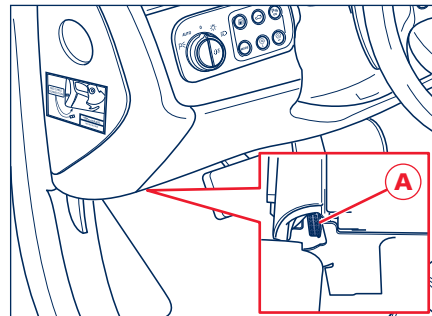
Position of the diagnostic connectors

The diagnostic connector **A**, positioned underneath the dashboard, next to the engine lid opening lever, can be accessed without removing any cover.



**California Proposition 65
Warning**

**THIS MOTOR VEHICLE CONTAINS
CHEMICALS KNOWN TO THE
STATE OF CALIFORNIA TO CAUSE
CANCER, BIRTH DEFECTS OR OTHER
REPRODUCTIVE HARM (see page 7)**





Cruise Control

General

The Cruise Control function allows the driver to maintain the desired vehicle speed constant without pressing the accelerator pedal. This helps reduce driving fatigue on highways, especially long trips, as the set speed is automatically maintained.

WARNING: The device can only be activated at speeds exceeding 19 mph (30 km/h) and it turns off automatically when the brake pedal is depressed or when a speed of 125 mph (200 km/h) is exceeded.




Cruise Control must only be activated when traffic and the route permit a constant speed to be maintained safely for a sufficiently long distance.

Controls

Cruise Control is controlled by switch **A**, by the rotating section **B** and by button **C** (RCL).

Switch **A** has two positions:

- **OFF** the device is deactivated;
- **ON** the device is active. When the device is activated, the green warning light  on the display illuminates together with the message "Cruise Control on".

The rotating section **B** is used to store the vehicle speed and to keep it constant, or to increase or decrease the speed stored.

Turn the rotating section **B** to position (+) to save the speed reached or to increase the speed stored.

Turn the rotating section **B** to position (-) to decrease the speed stored.

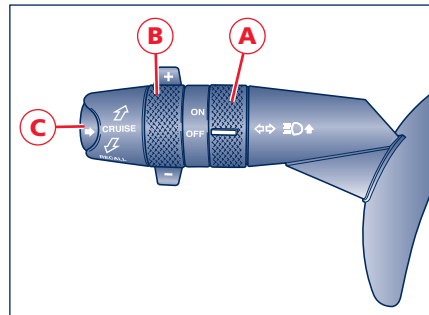
Every time the rotating section **B** is reset, the speed is increased or decrease by approx. 0.6 mph (1 km/h).

Keep the rotating section turned to vary the speed continuously.

When a new speed is reached, it will automatically remain constant.

Button **C** (RCL) is used to resume the speed stored.

WARNING: When the ignition key is turned to **STOP (OFF)** or switch **A** is in the **OFF** position, the speed stored is erased and the system deactivated.





Storing a speed

Turn switch **A** to **ON** reach the desired speed driving normally. Turn the rotating section **B** to (+) for at least three seconds and then release it.

The vehicle speed is stored and the accelerator pedal can be released.

The vehicle will proceed at the constant speed stored until the brake pedal is pressed.

If necessary, (for example, to pass another vehicle), you can accelerate by simply pressing the accelerator pedal. Afterwards, when you release the accelerator pedal, the vehicle will return to the speed previously stored.

Resuming the speed stored

If the device has been deactivated after braking, the speed previously stored can be resumed as follows:

- gradually accelerate until you reach a speed close to that stored;
- engage the gear selected when the speed was stored (4th, 5th or 6th gear);
- press button **C (RCL)**.

Increasing the speed stored

The speed stored can be increased in two ways:

- by pressing the accelerator and then storing the new speed reached (turn the rotating section **B** for more than three seconds)

or

- by turning the rotating section **B** to position (+): each pulse transmitted by the rotating section will cause a slight increase in speed (about 0.6 mph / 1 km/h), whereas a constant pressure on the same rotating section will cause a continuous increase in speed. When the rotating section **B** is released, the new speed will be automatically stored in the memory.



Decreasing the speed stored

The speed stored can be reduced in two ways:

- by deactivating the device, pressing the brake pedal and then storing the new speed (turning the rotating section **B** to position (+) for at least three seconds);
- or
- by keeping the rotating section **B** turned to position (-) until reaching the new speed, which will be stored automatically.

Resetting the speed stored

The speed stored is automatically reset:

- by turning the engine off
- or
- by turning switch **A** to **OFF**.



When driving with Cruise Control activated, do not shift to Neutral. Activate Cruise Control only when traffic and road conditions permit safe use of this device, that is: on straight and dry roads, expressways or highways, smooth-flowing traffic and smooth asphalt. Do not activate this device when driving in town or in heavy traffic.



Cruise Control can only be activated at speeds exceeding 19 mph (30 km/h).



The device can only be activated in 4th, 5th or 6th gear, depending upon the vehicle speed.



When driving downhill with the device activated, the vehicle may pick up speed slightly exceeding the speed stored, due to the change in the engine load.



In the event of malfunctioning or failure of the device, turn switch **A** to **OFF** and contact your Authorized Maserati Dealer after having checked that the relative fuse is in proper working order.



It is advisable to deactivate the device when it is not in use. Turn switch **A** to **OFF** to prevent any speeds from being unintentionally stored.

Skyhook suspension

The electronic system controlling the vehicle suspension uses the sophisticated on board sensors and is aimed at optimizing vehicle performance.

The system is capable of constantly monitoring suspension damping by means of the actuator fitted on each shock absorber. This way, the shock absorber setting is suited to the road surface conditions and vehicle dynamics, thus improving passenger comfort and road-holding.

By pressing button **A** the drivers can choose, even while driving, a normal or racing-type setting for the suspension, depending on their own driving style. This way, the system operates with a shock absorber "softer" setting in **NORMAL** mode, and a "harder" setting if **SPORT** mode is selected.

The system is controlled by an ECU which is designed to manage the solenoid valves on each shock absorber in response to the sensor signals, thus adjusting suspension damping and setting.


The sensors which enable the ECU to calculate the vehicle speed, vertical and side acceleration, as well as the instantaneous braking system pressure, thereby controlling suspension damping, are the following:

- front left-hand vertical acceleration sensor;
- front right-hand vertical acceleration sensor;
- rear vertical acceleration sensor;
- front left-hand wheel acceleration sensor;
- front right-hand wheel acceleration sensor;
- lateral acceleration sensor;
- driving speed sensor;
- brake pedal switch.

The strategy used by the system controlling suspension damping is aimed at reducing the vertical oscillations of the vehicle (rolling and pitching) to a minimum.

The activation of **SPORT** mode sets the suspension for sports-style driving and acts on the **ASR** and Automatic Gearbox systems (optional equipment) as well, modifying their setting for racing-style driving.

Self-diagnostics

Each time the engine is started, the system performs a self-diagnostic cycle, if a malfunction is found, the relative symbol  is displayed accompanied by the message "Check suspension".



Calibration selection

The driver can select, in relation to road surface conditions, vehicle speed, driving style and comfort, one of the two calibration levels provided by the system: normal or sports-style.

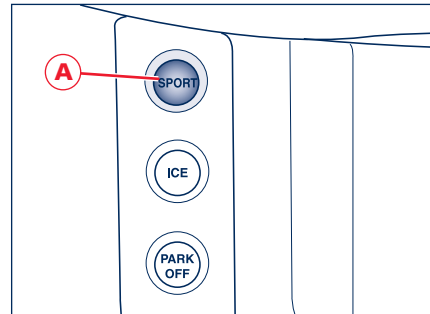
Normal calibration, active when **SPORT** mode is disabled, favors comfort and higher driving stability with low and average grip conditions. Sports-style calibration, active when **SPORT** mode is enabled, favors wheel drive and is designed to permit more sporty driving with optimal road holding.

Whenever the engine is started, the system automatically activates **NORMAL** mode, even if **SPORT** mode was selected before the engine was last turned off.

The **SPORT** mode calibration can be selected only with the ignition key in **MAR (ON)** position and it is enabled by pressing button **A**, even while driving: when **SPORT** mode is activated, the word "SPORT" on the multi-function display and the LED on the button illuminate.

WARNING: SPORT mode should not be activated if the road surface is rough or slippery.

Press button **A**: to reset the normal calibration, also while driving. When the normal calibration is activated, the "SPORT" warning light on the multi-function display and the button LED go off.




The electronic suspension control system works in combination with the **ESC** system (Electronic Stability Control): when the suspension is set to normal, stability is increased under medium and low grip conditions, while when **SPORT** mode is enabled, the **ESC** system optimizes racing-style driving.

WARNING: In low- and medium-grip conditions (e.g., rain, snow, ice, sand, etc.) it is advisable not to use SPORT mode, even with the ESC enabled.





Malfunction indicators



If one or more electric components in the system prove to be malfunctioning while driving, the ECU illuminates the relative warning light  accompanied by the message "Check suspension" on the display.

In addition, the ECU calibrates the shock absorbers to a preset value, thus helping to ensure a safe vehicle set up.

Should the malfunction involve one shock absorber only, this will no longer be controlled by the ECU and will therefore remain set as it was when the fault occurred. It is therefore possible for one of the four shock absorbers to work with a fixed calibration, different from that of the other ones.

WARNING: In the event of a malfunction in the suspension control electronic system, which will be indicated by the illumination of the warning light  on the display while driving, keep a moderate speed and have the vehicle checked as soon as possible by your **Authorized Maserati Dealer**.

If a malfunction occurs while driving, and this is signaled by the illumination of the warning light  on the display, it is advisable to stop the vehicle as soon as possible, turn the ignition key to **STOP (OFF)** and then restart the engine.

If the malfunction is no longer present and the warning light  on the display does not illuminate again, the electronic suspension system will resume normal operation. On the other hand, if the problem persists, the warning light  on the multi-function display will turn on again. In both cases, the system must be checked by your **Authorized Maserati Dealer**.

The fault found is memorized by the ECU and can be diagnosed by your **Authorized Maserati Dealer** even if it has disappeared from the display.



Headlights

Bi-xenon headlights

The gas-discharge (Xenon) headlights work by means of an electric arc saturated with Xenon gas under pressure, instead of the incandescent filament.

The light produced is highly superior to that of traditional light bulbs, in terms of quality (brighter light) as well as in relation to the span and positioning of the area illuminated. The advantages offered by improved lighting are clearly perceivable by the driver (less eye strain and increased orientation for the driver, with consequent enhanced driving safety). This is particularly perceived in the case of bad weather, fog and/or insufficient road indications, thanks to the broader illumination of the side zones, which are normally left in the dark.

The broader illumination of the side zones helps to increase driving safety as it allows the driver to better locate anybody at the sides of the road (pedestrians, bicycle riders and motorcycle riders).

The electric arc requires very high voltage for activation, but afterwards power is supplied at a lower voltage. The headlights reach maximum brightness about 0.5 seconds after being turned on.

The strong light produced by this type of headlight requires the use of an automatic system to keep the position of the headlights constant and to avoid dazzling approaching cars, in the case of braking, acceleration or load transport.



If bulb replacement is necessary, contact an Authorized Maserati Dealer only: RISK OF ELECTRICAL SHOCK!

In addition, the headlights are equipped with an ALC system (Adaptive light control). This system combines the light beam with the steering angle and the vehicle speed to help ensure better visibility of the road surface when driving in a curve, steering or in the event of road deviations.



Driving conditions

Before a trip

Check the following at regular intervals and always before long trips:

- Tire pressure and condition.
- Levels of fluids and lubricants.
- Conditions of the windshield wiper blades.
- Proper operation of the warning lights and of the external lights.

WARNING: It is always advisable to perform these checks at least every 500 mi (800 km) and to always follow the maintenance operations provided for in the “Warranty and Maintenance Schedule” book.

It is also advisable to:

- clean the glass on the external light and all other glass surfaces;
- properly adjust the mirrors, steering wheel, seats and seat belts.

Capacities

WARNING: Use unleaded fuel only! The use of fuel containing lead will permanently damage the catalytic converter(s) and oxygen sensor system.

For fluid and lubricant specifications and quantities, follow the indications contained in section 7 “Capacities and technical specifications”.

Proper driving

Although the vehicle is equipped with active and passive safety devices, the driver’s conduct is always a decisive factor for road safety.

Below are some simple rules to follow for traveling safely in different conditions. You will be, no doubt, familiar with some of them but, in any case, it would be useful to read them carefully.

Before you drive

- Make sure that the lights and headlights are working properly.
- Adjust the position of the seat, steering wheel and rear-view mirrors so that you have the best driving position.
- Check that nothing (e.g., mat covers, etc.) is blocking the pedals.
- Carefully arrange any objects in the luggage compartment, to prevent sudden braking from jerking them forward.
- Avoid heavy meals before a trip. A light snack helps to keep your reflexes sharp. In particular, avoid drinking alcohol.
- Remember to read, at regular intervals, the instructions contained in the paragraph “Before a trip”, in this chapter.



In addition to being prohibited by applicable legislation, it is extremely dangerous to travel inside the luggage compartment or on the front of the vehicle. In the event of an accident, persons transported in this manner are more exposed to the risk of serious injury. Passengers must only travel seated in the vehicle seats, with the seat belts fastened properly. Always check that you and your passengers have your seat belts fastened correctly.

While driving

- Caution is the first rule for safe driving. Being careful also means being able to predict driving behavior of other drivers that is wrong or careless.
- Keep a safe distance from vehicles in front of you, adjusting this distance in accordance to the vehicle speed and traffic conditions.
- Strictly follow the traffic regulations and above all, respect the speed limits.
- Long trips should be started in optimal physical condition.



Drunk driving, or driving under the influence of drugs, alcohol, or certain medicines is extremely dangerous for the driver and for others.



Always fasten your seat belts, including any child seats. Traveling without your seat belt fastened increases the risk of serious injury and death in the event of a collision.

- Make regular stops to loosen up your limbs and refresh yourself, and avoid driving for hours on end.
- Ensure that the air inside the passenger compartment is changed constantly.
- Never coast downhill with the engine off: the braking action requires greater effort on the pedal due to the absence of the engine brake and of the brake servo.



Driving at night

The main guidelines to follow when driving at night are set out below:

- Drive with caution: at night, driving conditions are more demanding.
- Reduce your speed, especially on roads with no street lights.
- At the first signs of drowsiness, stop: to continue driving would be a risk for you and for others. Continue only after you have had proper rest.
- Keep the vehicle at a greater distance from vehicles in front of you than you would during the day: it is difficult to assess the speed of other vehicles when you can only see their lights.
- Make sure that the headlights are aimed correctly: if they are too low, they reduce visibility and strain the eyes. If they are too high, they may bother the other drivers.
- Use the high beams only outside of urban areas and when you are sure that they will not disturb other drivers.

- When another vehicle is approaching, switch from the high beams (if on) to the low beams.
- Keep the taillights and headlights clean.
- Outside of densely-populated areas, beware of animals crossing the road.

Driving in the rain

Rain and wet roads can be dangerous. On a wet road all the maneuvers are more difficult since wheel grip on the road is significantly reduced. This means that the braking distances increase considerably and road holding decreases.

Below is some advice for driving in the rain:

- Reduce your speed and keep a greater safety distance from the vehicles in front of you. High speed may result in loss of vehicle control and aquaplaning.
- Heavy rain also substantially reduces visibility. In these circumstances, even during the day, turn on the low beams, to be more visible to other drivers.

- Set the Air Conditioning controls to demisting, in order to avoid any visibility problems.
- Periodically check the conditions of the windshield wiper blades.

Driving in fog

If the fog is dense, avoid traveling where possible.

When driving in mist, blanket fog or when there is the possibility of banks of fog:

- Keep a moderate speed.
- Even during daytime, turn on the low beams and the rear fog lights. Do not use the high beams.
- Remember that fog creates dampness on the asphalt and thus any type of maneuver is more difficult and braking distances are greater.
- Keep a safe distance from the vehicles in front of you.



- Avoid sudden changes in speed as much as possible.
- Whenever possible, avoid passing other vehicles.
- If you are forced to stop the vehicle (breakdowns, impossibility of proceeding due to poor visibility, etc.), first of all, try to stop off of the travel lane. Then turn on the hazard lights and, if possible, the low beams.

Sound the vehicle horn rhythmically if you hear another vehicle approaching.

- If you must get out of the vehicle, wear a high-visibility vest.

Driving in the mountains

On downhill roads, use the engine brake, engaging low gears so as not to overheat the brakes.

- Never coast downhill with the engine off or in neutral, and never with the ignition key removed.
- Drive at a moderate speed and avoid “cutting” corners.
- Remember that overtaking uphill is slower and requires a longer free stretch of road. If you are being overtaken on a hill, slow down and allow the other vehicle to pass.

Driving on snow or ice

Below is some advice for driving in these conditions:

- Keep a very moderate speed.
- Fit snow chains or specific tires if the road is covered with snow: see the paragraphs “Snow chains” and “Winter tires” in the chapter “Tires” of this section.
- Mainly use the engine brake and avoid sharp braking.
- We recommend that you activate “Low grip” mode (see page 141).
- Avoid sudden acceleration and sharp changes in direction.
- During the winter season, even apparently dry roads can have icy sections. Be careful when crossing bridges, viaducts and roads that have little exposure to the sun and are bordered by trees and rocks. They may be icy.
- Keep a safe distance from the vehicles in front.

Emission control devices

Even if the vehicle is equipped with anti-pollution devices, the environment deserves the greatest respect from every one of us. By following a few simple rules, the driver can avoid damaging the environment and can often reduce fuel consumption as well. In this regard, some useful information is listed here below; please read it carefully. The correct operation of the anti-pollution devices not only helps respect for the environment, but also has an impact on vehicle efficiency. Keeping these devices in good working conditions is the first rule for driving both ecologically sound and economically. The first precaution is to follow the “Maintenance schedule” carefully. Always use unleaded fuel.

If starting is difficult, do not make several attempts. In particular, avoid push starts, towing or downhill starts: these are all maneuvers that can damage the catalytic converter system. For any emergency starting, only use an auxiliary battery. While driving, if the engine does not run smoothly, you may continue driving but reducing engine performance to a minimum; you should then contact your **Authorized Maserati Dealer** as soon as possible. Never run the engine, even if only for testing, with one or more spark plugs disconnected.

Do not warm up the engine letting it idle before starting off, except in the event that the external temperature is very low and, even then, for no longer than 30 seconds.



During normal operation the catalytic converter produces high temperatures. Therefore, do not park the vehicle on flammable materials (e.g., grass, dry leaves, pine needles, etc.): risk of fire!

Do not install heat guards and do not remove those already fitted to the catalytic converter and to the exhaust manifold.

Do not spray anything on the catalytic converter, Oxygen sensor and exhaust manifold.



In addition to the catalytic converter system, the vehicles are equipped with a system for controlling fuel vapor emissions. This system, called ORVR, has been designed to help reduce atmospheric pollution by the evaporation from the fuel system during the refueling process. Also, specific to these vehicles is the fuel filler neck which comes equipped with a sealed plug that is grounded to avoid possible sparking during refueling.



Failure to comply with these rules can create fire hazards.



**California Proposition 65
Warning**

**THIS MOTOR VEHICLE CONTAINS
CHEMICALS KNOWN TO THE
STATE OF CALIFORNIA TO CAUSE
CANCER, BIRTH DEFECTS OR OTHER
REPRODUCTIVE HARM (see page 7)**

Other tips

- Do not warm up the engine when the vehicle is stationary: in these conditions the engine warms up much more slowly and increases fuel consumption and emissions. It is advisable to move off slowly, avoiding high engine RPM.
 - As soon as traffic conditions and the route permit it, use a higher gear.
 - Avoid Depressing the accelerator repeatedly during stops at traffic lights or before turning off the engine.
 - Keep your speed as regular as possible, avoiding unnecessary braking and acceleration, which cause fuel wastage and strongly increase exhaust emissions.
 - Turn the engine off if the vehicle remains stationary for a long time.
- Check the tire pressure regularly: if the pressure is too low, fuel consumption increases and the tires are damaged.
 - Do not transport unnecessary objects in the luggage compartment. The weight of the vehicle affects fuel consumption considerably.
 - Use the electrical devices only as long as necessary. The power required increases fuel consumption.



Parking

Pull the parking brake, straighten the wheels and turn off the engine. Never leave the ignition key in position **MAR (ON)**. Always remove the key when leaving the vehicle.



Never leave children unattended in the vehicle.



Do not park the vehicle on paper, grass, dry leaves or other flammable materials.

They could catch fire if they come into contact with hot parts of the exhaust system.



Do not leave the engine running with the vehicle unattended.

Electric parking brake

The vehicle is equipped with an electric parking brake (EPB). It is designed to automatically engage when the engine is turned off and to disengage when, with the engine running, the accelerator pedal is depressed.

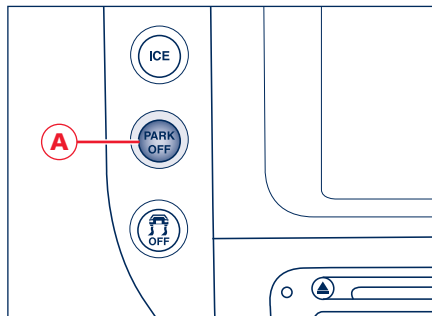
When the electric parking brake is engaged, with the key turned to **STOP (OFF)**, the warning light **PARK** illuminates on the instrument panel and the words "EPB ON" appear on the display.

During engagement and disengagement, the warning light **PARK** flashes until the maximum engagement force and full release have been reached.

In the above conditions, the automatic activation function can be deactivated/activated by pressing the button **A** on the dashboard.



During engagement or disengagement of the electric parking brake, always hold the brake pedal depressed.



WARNING: When you need to park the vehicle on a steep slope, both with the engine running and off, it is recommended not only to apply the electric parking brake but also to move the gearshift lever to P (PARK) before leaving the vehicle.



When the EPB button is activated while driving, the vehicle slows down with strong deceleration (Dynamic Braking). It is therefore advisable to use this function only in the event of an emergency. The ESC system, however is always on, and it will help to maintain the stability of the vehicle.

Engagement

The electric parking brake is automatically applied when the engine is turned off and the vehicle is stationary.

It can only be disengaged when the engine is restarted.

If the key has been removed or is in position **STOP (OFF)**, it cannot be disengaged.

The electric parking brake can also be manually applied when the vehicle is moving or the key is in **MAR (ON)** position by pulling up the lever **B**.

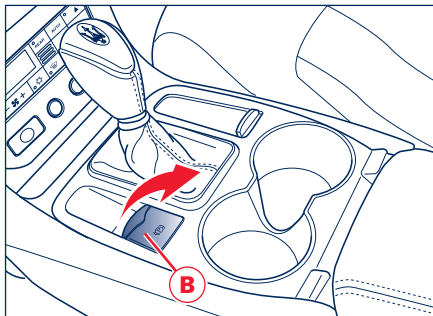


If the engine was turned off with the automatic engagement device deactivated, you can reactivate it simply by pulling lever **B** upward. The words “EPB ON” appear on the display.



Always check that the vehicle is properly locked before leaving it.

5



Disengagement

The parking brake is automatically disengaged when depressing the brake pedal and moving the gearshift lever from position **P** (a pressure of at least 72.5 psi (5 bar) must be generated in the braking system), or with a gear engaged and pushing the accelerator pedal.

The parking brake can also be manually disengaged when the vehicle is moving or the key is in position **MAR (ON)** by manually pulling up lever **B** and simultaneously depressing the service brake pedal.

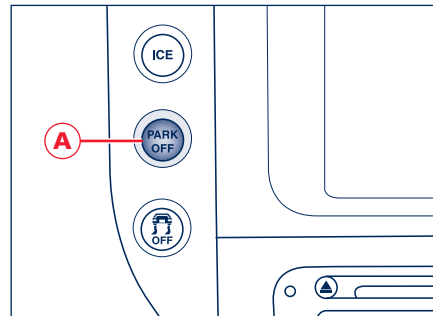
WARNING: If you attempt to disengage the parking brake without having depressed the service brake pedal, a message will be displayed to warn you to do so.

WARNING: In certain conditions, it is however advisable to disengage the parking brake manually and slightly apply the service brake for starting off. This is advisable when there are obstacles very close to the vehicle in the direction in which you intend to move.

Deactivating PARK OFF automatic operation

To deactivate manual operation of the parking brake, with the engine on, press the button **A** on the dashboard. The words “PARK OFF” appear on the display for 5 seconds, after which they remain displayed but in smaller size. To reactivate automatic operation, press the button **A** once again, the words “PARK ON” appear on the display for 5 seconds.

WARNING: In certain conditions when the battery voltage is low, the electric parking brake system may temporarily be deactivated for safety reasons. Therefore, typically upon starting the engine, when the battery voltage drops, the message “PARK OFF” may temporarily be displayed, indicating that automatic operation is temporarily disabled.



WARNING: In the case of performance starting, check that the electric parking brake is disengaged.

Malfunction indication

In the event of electric parking brake system failures, the warning light **BRAKE** will illuminate.

Depending on the message displayed, it signals the following failures of the EPB system:

- Parking brake fault: go to dealer.
If the message warning you to go to the nearest **Authorized Maserati Dealer** is displayed, drive slowly and remember that the electric parking brake device is not functioning.
- EPB is overheated.
If the vehicle has been stationary (key to **STOP (OFF)**) for about 15 minutes without using the parking brake, and the warning light



illuminates again after restarting the engine, slowly drive to the nearest **Authorized Maserati Dealer**.

- EPB fault, only manual EPB release possible: see handbook.
Follow the manual emergency deactivation procedure in order to release the parking brake.
- Parking brake system revision: go to dealer.
The EPB system requires maintenance, therefore contact your **Authorized Maserati Dealer** to have the system corrected.



In the event of an EPB failure, take your vehicle to the nearest Authorized Maserati Dealer as soon as possible.

Emergency disengagement

In the event that the electric parking brake locks with a total system failure, you need to manually release the parking brake using the special tool provided in the toolkit.

Proceed as follows:

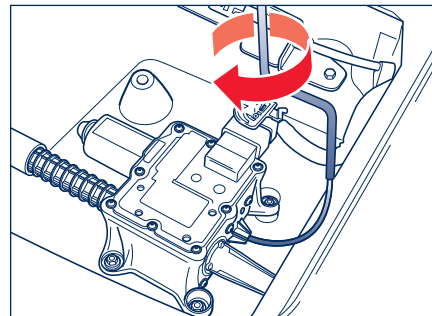
- remove the toolkit and covering panel from the luggage compartment;
- remove the covering panel containing the toolkit and the tire

repair kit;

- remove the cap on the right-hand side of the EPB ECU;
- insert the special tool into place;
- turn the handle clockwise until it is released;
- remove the tool from its seat and close it with the cap.



After each manual emergency release procedure, the electric parking brake system remains non-functioning until the situation is corrected by an Authorized Maserati Dealer.





Tires



The Maserati GranTurismo is a performance automobile, tire wear must be checked regularly and worn tires must be replaced. Tire wear will vary and depends on driving habits and conditions.

Glossary of tire terminology

"Tire Information Placard (label)" is a placard/label, showing the OE (original equipment) tire sizes, recommended inflation pressure, and the maximum weight the vehicle can carry.

"Tire Identification Number (TIN)": A number on the side wall of each tire providing information about the tire brand and manufacturing plant, tire size and date of manufacture.

"Inflation pressure": A measure of the amount of air in a tire.

"Standard load": A class of P-metric or Metric tires designed to carry a maximum load at a specified psi rating.

"Extra load": A class of P-metric or metric tires designed to carry a heavier maximum load at a specified

psi rating.

"kPa": Kilopascal, a metric unit of air pressure.

"PSI": Pounds per square inch, a standard unit of air pressure.

"B-pillar": The structural member at the side of the vehicle behind the front door.

"Bead area of the tire": Area of the tire next to the rim.

"Side wall of the tire": Area between the bead area and the tread.

"Tread Area of the tire": Area of the perimeter of the tire that contacts the road when mounted on the vehicle.

"Rim": The metal support (wheel) for a tire or a tire and tube assembly upon which the tire beads are seated.

"Cold tire pressure": The tires are considered to be cold when they have the same temperature as the surrounding (ambient air) meaning that the car has been stationary for a minimum of 3 hours, or has been driven less than 1 mile. Adjust pressures only in ambient conditions.

"Maximum inflation pressure": Is the greatest amount of air pressure that should ever be put in the tire. This rating is established by the tire manufacturer. Use only the

recommended inflation pressure.

"Recommended inflation pressure": Inflation pressure, established by Maserati which is based on the type of tires that are mounted on a vehicle at the factory. This inflation pressure is affected by the number of occupants in the vehicle, the amount of cargo and the speed at which the vehicle will be driven for a prolonged period. This information can be found on the tire inflation placard (label) located on the driver's side B-pillar and in the tire inflation table in this owner's manual.

Tire identification number:

On the left-hand sidewall, as fitted to the car. Commences with DOT (Department of Transportation) followed by a two- digit manufacturing plant code, a two-digit tire size code, a three-digit tire construction code, and a four-digit date code for the week and year of production.

DOT quality grades

<i>Tires</i>	<i>Tread wear</i>	<i>Traction</i>	<i>Temperature</i>
Michelin Pilot Sport (*)	220.	AA.	A

(*) Example only

Tread wear

The tread wear grade is a comparative rating based on the wear rate of the tire when tested under controlled conditions on a prescribed government test course.

For example, a tire graded 150 would wear one and one-half (1-1/2) times as well on the government course as a tire graded 100.

The relative performance of tires depends upon the actual conditions of their use and may depart significantly from the norm due to variations in driving habits, service practices and differences in road characteristics and climate.

Traction

The traction grades, from highest to lowest, are "AA", "A", "B", and "C". Those grades represent the tire ability to stop on wet pavement as measured under controlled conditions on specified government test surfaces of asphalt and concrete.



The traction grade assigned to this tire is based on straight-ahead braking traction tests, and does not include acceleration, cornering, hydroplaning, or peak traction characteristics.



Temperature

The temperature grades are “A” (the highest), “B”, and “C”, representing the tire resistance to the generation of heat and its ability to dissipate heat when tested under controlled conditions on a specified indoor laboratory test wheel. Sustained high temperature can cause the tire to deteriorate and can reduce tire life. In addition, excessive temperature can lead to sudden tire failure. The grade “C” corresponds to a level of performance which all passenger car tires must meet under the Federal Motor Safety Standard No. 109. Grades “B” and “A” represent higher levels of performance on the laboratory test wheel than the minimum required by law.



The temperature grade for this tire is established for a tire that is properly inflated and not overloaded. Excessive speed, underinflation, or excessive loading, either separately or in combination, can cause heat buildup and possible tire failure.

Other tire markings

Manufacturer’s name.

Tire model.

Size information.

Example:

245 = nominal section width in mm.

35 = height of tire cross-section

expressed as percentage of width

R = radial construction

20 = rim diameter in inches.

ZR= speed rating indicating the speed

at which the tire can carry the load

corresponding to the load capacity

index.

Tire placard/label

The tire and loading Information label stuck on the driver’s door jamb specifies the correct size and pressure of tires to be used on the GranTurismo. It also specifies the total weight the car can carry, called the car capacity weight.

This includes the weight of the driver, passenger and luggage.

For tire pressure information, refer also to the ‘Technical Data’ section of this manual.

Also found on the driver’s door jamb is the Certification label, which stipulates the Gross Vehicle Weight Rating (GVWR). The GVWR includes the weight of the car, occupants, fuel and luggage. Never exceed the GVWR or the Gross Axle Weight Rating (GAWR) for either the front or rear axle. The maximum load which may be carried in the rear luggage compartment is 66 lbs (30 kg).

Note That the GranTurismo SPORT is not designed to tow a trailer, and no such attempt should be made.

WARNING: Do not exceed the GVWR, or front or rear GAWR. Exceeding these limits may lead to poor handling, vehicle instability or tire damage which could cause a crash in which you or others could be seriously injured or killed.



Information on tire care, including maintenance and safety practices can also be found on page 221; tire and wheel size information is reported on page 205 and the information on the tire pressure monitoring system (TPMS) can be found on page 47.

WARNING: In order to achieve optimal handling characteristics, the wheel and tire sizes on the GranTurismo are different at front and at the rear. This means that interchanging of wheels and tires between axles is not permissible. Failure to respect this requirement will adversely affect vehicle handling and may result in an accident in which you or others could be killed or seriously injured.

Importance of proper inflation pressure

- Use a good quality tire pressure gauge and always replace the tire valve dust cap to prevent the ingress of dirt and moisture into the valve, which could cause leakages. Many gas stations provide tire inflation facilities.
- The tires should be regularly inspected for signs of cuts, abrasions or other damage, and for any uneven tread wear patterns. Uneven treadwear may indicate that the suspension geometry or dampers require attention from your **Authorized Maserati Dealer**.
- Overloading your tires can cause overheating as a result of too much friction. You could have a blowout and a serious accident in which you could be killed or seriously injured. See 'Tire Placard Label'.
- Underinflated tires pose the same danger as overloaded tires. The resulting accident could cause serious injury, or death. Check all tires frequently and maintain the recommended pressure. Tire pressures should be checked only when the tires are cold.
- Overinflated tires are more likely to be cut, punctured or broken

by a sudden impact - such as hitting a pothole. Keep tires at the recommended pressure.

- Installing improper tires on your vehicle can affect handling and stability. This can cause a crash in which you can be killed or seriously injured.
- Always use the size and type of tires recommended in this manual.
- Using incorrect tires or tires which are excessively worn or improperly inflated can cause a crash in which you can be killed or seriously injured.

When driving on wet roads, surface water is squeezed out from between the tire and road. However, excessive speed or water depth can overwhelm the water clearing capability of the tread and lead to a condition called 'aquaplaning' or 'hydroplaning', where the tire rides on a film of water and provides little or no grip on the road surface, leading to a loss of control. This condition is more likely to occur with worn tires having little depth of tread, or with incorrect tire pressures. Drivers should always check on tire wear and condition, and moderate their speed in adverse weather conditions.



Tire care

Wear indicators are molded into the bottom of the tread grooves at intervals around the tire, indicated by small pointers on the outer tread blocks. The tires should be replaced before being worn to this minimum legal tread depth.

The cold tire pressures should be checked every week, or every 1000 miles (1700 km), whichever is the sooner, and corrections made as necessary. See 'Technical Data' at the back of the handbook for tire pressures. Underinflation will cause excessive wear, rapid deterioration of the tire sidewalls and heavy steering, whereas overinflation results in a hard ride and in creased susceptibility to tire damage. Both conditions will cause a degradation in the handling qualities.

Vehicle load limits:

Federal regulations require the following statement in this manual: "Steps for Determining Correct Load Limit"

1) Locate the statement "The combined weight of occupants and cargo should never exceed XXX kg or XXX lbs." on your vehicle's placard.

- 2) Determine the combined weight of the driver and passengers that will be riding in your vehicle.
- 3) Subtract the combined weight of the driver and passengers from XXX kg or XXX lbs.
- 4) The resulting figure equals the available amount of cargo and luggage load capacity. For example, if the "XXX" amount equals 1400 lbs. and there will be five 150 lb passengers in your vehicle, the amount of available cargo and luggage load capacity is 650 lbs. (1400-750 (5 x 150) = 650 lbs.)
- 5) Determine the combined weight of luggage and cargo being loaded on the vehicle. That weight may not safely exceed the available cargo and luggage load capacity calculated in Step 4.

NOTE: The vehicle should not be used to tow a trailer.

Winter tires

These tires are specially designed for driving on snow and ice and should be fitted to replace the ones supplied with the vehicle.



Only use winter tires having the same dimensions as those provided with the vehicle or as indicated on page 205.

Your **Authorized Maserati Dealer** is available to provide suggestions as to the types of tires most suited to the use foreseen by the Customer. For the type of tires to use, inflation pressures and relative specifications for winter tires, carefully follow the indications found in the section "Capacities and technical specifications". The features of these winter tires are strongly reduced if the tread depth is less than 0.2 in (4 mm). In this case, they should be replaced.



The specific features of the winter tires lead to lower performance under normal environmental conditions or on long highway trips, compared to the standard tires.

Therefore, they should only be fitted for their intended use, for which they have been approved.



Fit identical (manufacturer and tread) tires on all four wheels, in order to help ensure safe driving, braking and good handling.



Remember that the direction of tire rotation should not be reversed.

Snow chains

The use of snow chains is subject to local regulations.

If the use as snow chains is allowed, to use small-sized snow chains with a maximum projection of 0,35 in (9 mm) beyond the tire tread.

The chains should be fitted only on the driving wheel tires (rear wheels). Check chain tension after driving for a distance of about 55 yd (50 m) with the chains fitted.

Snow chains: brand/type

Konig/Supermagic

Rear tire

285/35 ZR20

285/40 ZR19 (°)

(°) Tire available on request

WARNING: Before purchasing or using snow chains, we recommend that you contact your **Authorized Maserati Dealer** for information.

WARNING: Keep a moderate speed when using snow chains. Do not exceed 30 mph (50 km/h). Avoid holes in the road, do not drive over steps or sidewalks and do not drive on long road stretches without snow. This will help prevent damage to the vehicle and the road surface.



Useful accessories to keep in the vehicle

We recommend that you keep in the vehicle:

- first aid kit containing alcohol-free disinfectant, sterile gauze pads, gauze rolls, bandages, etc.;
- electric flashlight;
- blunt-tipped scissors;
- heavy-duty gloves.

The objects described and other essential objects can be obtained locally.





In an emergency





Emergency starting	174
Toolkit	175
If a tire is punctured	175
If an exterior light turns off	176
If an interior light goes out	179
If a fuse blows	182
If the battery is dead	193
If you have to jack up the vehicle	194
If you have to tow the vehicle	195
In the event of an accident	196








Emergency starting

If the MASERATI CODE fails to deactivate the engine immobilizer, the warning light **CODE**  will illuminate permanently, the **OBDII** warning light  will go off after 18 seconds and then will come on immediately and the engine will not start. To start the engine, it is necessary to follow the emergency start procedure.

WARNING: We recommend that you carefully read the entire procedure before performing it. If you make a mistake, you should turn the ignition key to **STOP (OFF)** and repeat the operations from the beginning (step 1).

- 1) Read the 5-digit electronic code found on the CODE CARD.
- 2) Turn the ignition key to **MAR (ON)**: the **CODE**  and **OBDII**  warning lights are on.
- 3) Press the accelerator pedal fully down and keep it pressed. Approximately 8 seconds later, the **OBDII** warning light  goes off. Release the accelerator and get ready to count the number of times the **OBDII** warning light  flashes.

- 4) As soon as the displayed number of flashing is equal to the first digit of your CODE CARD, depress the accelerator and hold it until the **OBDII** warning light  goes off, after being illuminated for approximately 4 seconds; You can now release the accelerator pedal.
- 5) The **OBDII** warning  light starts flashing again. As soon as the number of flashing is equal to the second digit of your CODE CARD, depress the accelerator pedal and hold it down.
- 6) Proceed in the same manner for the remaining digits in the code on the CODE CARD.
- 7) When the last digit has been entered, keep the accelerator pedal pressed down. The **OBDII** warning  light illuminates for 4 seconds and then goes off; You can now release the accelerator pedal.
- 8) A quick flashing of the **OBDII** warning light  (about 4 seconds) confirms that the operation has been performed correctly.
- 9) Start the engine turning the key from **MAR (ON)** to **AVV (START)**.

If the **OBDII** warning light  remains illuminated, turn the key to **STOP (OFF)** and repeat the procedure from step 1.

This procedure can be repeated an unlimited number of times.

WARNING: After an emergency start, we recommend that you contact your local **Authorized Maserati Dealer**, otherwise you will have to perform the emergency start procedure every time the engine is started.

Toolkit

The vehicle is equipped with the following tools:

- toolkit, housed in the luggage compartment;
- tire repair kit;
- reflecting triangle.

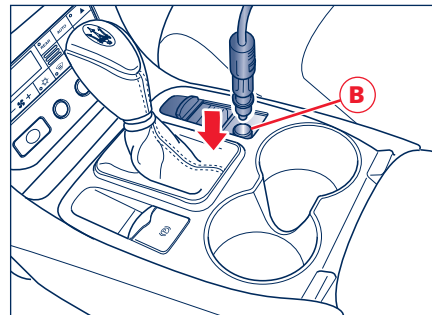
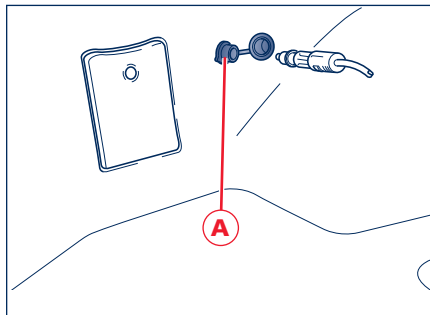
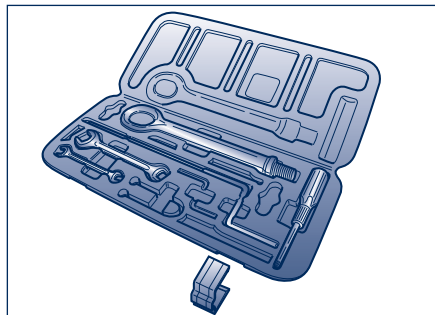
The toolkit, housed under the floor panel, contains:

- 8 + 10 mm open end wrench;
- 13 + 17 mm open end wrench;
- double slot + Phillips-head screwdriver;
- tow hook;
- tool for electric parking brake actuator release.

If a tire is punctured

For the tire repair procedures see the instructions included in the tire repair kit.

*Note: The compressor power plug can be inserted either in the 12V socket **A** housed in the luggage compartment or in the cigarette lighter socket **B**, inside the passenger compartment.*





If an exterior light turns off

WARNING: Before replacing a light bulb, make sure that the corresponding fuse is in proper working order. For replacement, use only genuine new light bulbs having the same characteristics as the bulb being replaced.

Front light clusters

To access the front light clusters from underneath the vehicle, you must first remove the wheel housing covering. The light bulbs of the front light clusters are arranged as follows:

- A - Side marker bulb
- B - Direction indicator light bulb
- C - Position light and DRL (*) LED
- D - Bi-xenon low-beam/high-beam bulb
- E - FTP bulb, headlight flashing.

(*) On vehicles for the Canadian market DRL are always enabled.



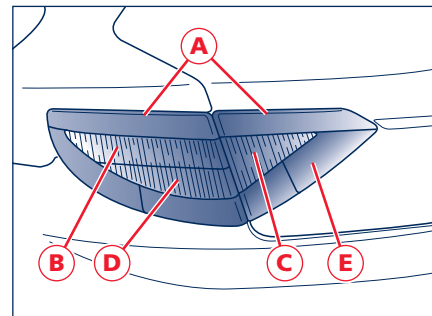
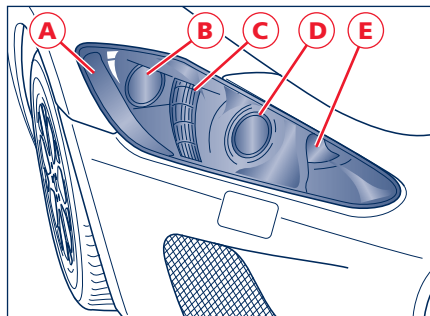
To replace the Xenon light bulbs, the low and high beam light bulbs and to check the system, contact an **Authorized Maserati Dealer only: RISK OF ELECTRICAL SHOCK!**

It is advisable to contact your **Authorized Maserati Dealer** also for replacing the other lights.

Rear light clusters

The light bulbs of the rear light clusters are arranged as follows:

- A - Position light LED
- B - Stop light LED
- C - Reverse light bulb
- D - Direction indicator LED
- E - Rear fog light bulb.



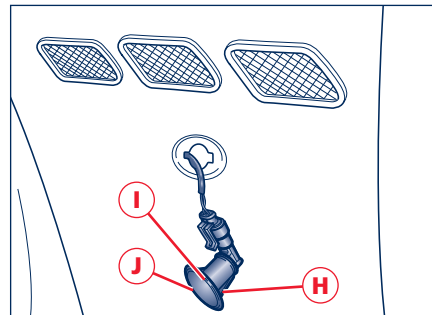
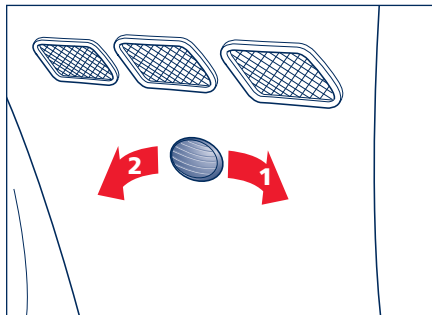
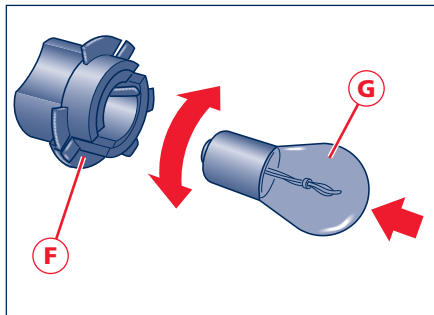
To replace a light bulb:

- 1) Lift the engine compartment lid.
- 2) Open the door on the covering panel, in position with the light cluster.
- 3) Rotate the bulb holder **F** counterclockwise and slide it out.
- 4) Remove the bulb **G** by gently pushing it and rotating it counterclockwise.
- 5) Insert the new bulb by slightly pushing it and rotating it clockwise.
- 6) Insert the bulb holder and rotate it clockwise.
- 7) Close the door on the covering panel.

Direction indicator lights

To replace the direction indicator light bulb (5W):

- 1) Push the direction indicator forward to compress the spring clip **H**.
- 2) Take out the rear part of the indicator by releasing the retaining tab **I** and remove the unit.
- 3) Remove the bulb holder **J** turning it counterclockwise.





- 4) Remove and replace the bulb K.
- 5) Refit the bulb holder turning it clockwise.
- 6) Refit the direction indicator inserting first the retaining tab on the rear part and then pressing the front part until hearing the spring clip click into position.

WARNING: Proceed with care when removing the side direction indicator light to avoid damage to the vehicle body or to the indicator itself.

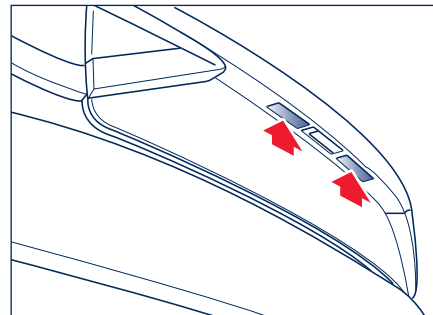
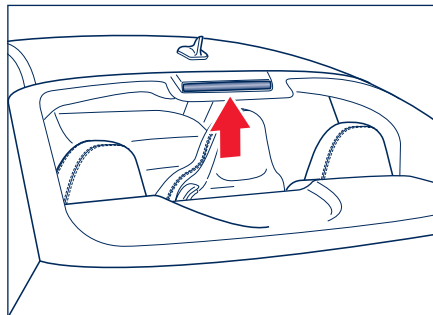
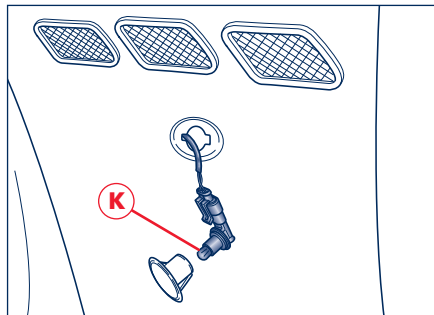
Third stop light

In order to replace the bulb, the light cluster must be removed. It is therefore recommended that you contact your **Authorized Maserati Dealer**.

License plate lights

To replace the license plate light bulb (C 5W):

- 1) Undo the fastening screws for the lens/bulb holder unit.
- 2) Remove the unit and replace the bulb.



If an interior light goes out

WARNING: Before replacing a light bulb, make sure that the corresponding fuse is in proper working order. For replacement, use only genuine new light bulbs having the same rating as the bulb being replaced.

Front and rear dome light

To replace the bulbs:

- 1) Use a screwdriver to gently pry it out at points **A** and remove the dome light.

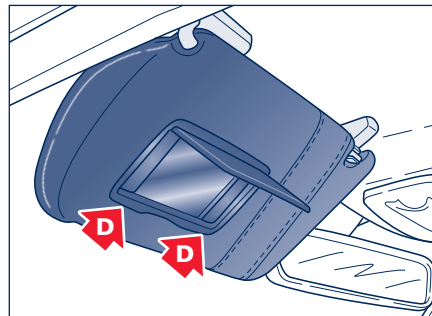
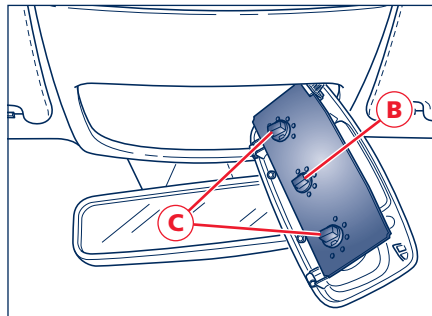
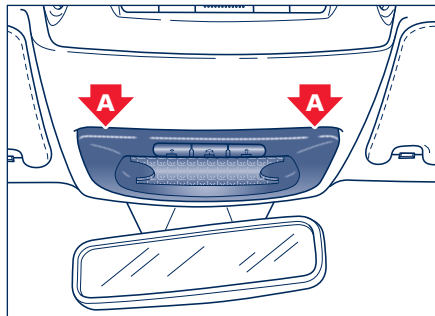
- 2) Replace the bulb concerned by rotating it:
 - timed light **B**
 - reading lights **C**.
- 3) Refit the dome light inserting first the front side and the pushing the rear side into its seat.

WARNING: When refitting the dome light, make sure that the electric wires are correctly positioned and do not interfere with the dome light edges and with the retaining tabs.

Courtesy mirror light

To replace the bulb (12V - 5W "torpedo" type):

- 1) Remove the fixing frame by prying it out gently at points **D**.
- 2) Replace the bulb.
- 3) Refit the fixing frame by pressing it.





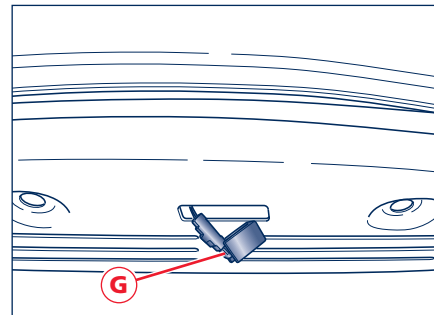
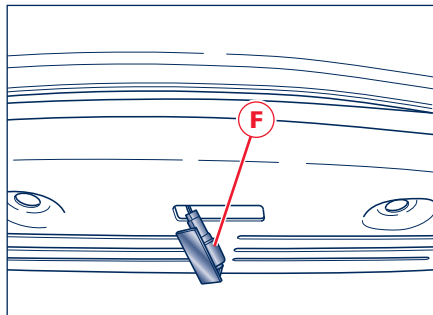
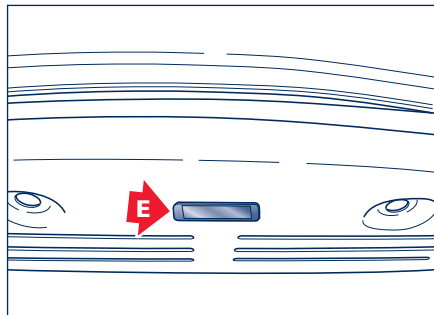
Glove compartment, pocket-change compartment and luggage compartment lights

To replace the bulb:

- 1) Remove the transparent cover by prying it out gently, using a screwdriver, at point **E**.

- 2) Raise the cover **F**.

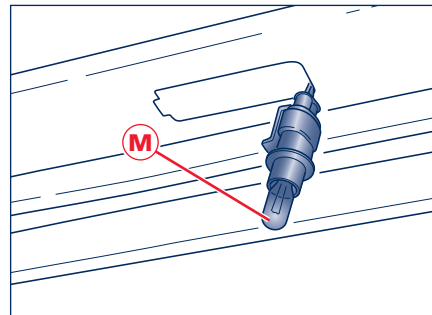
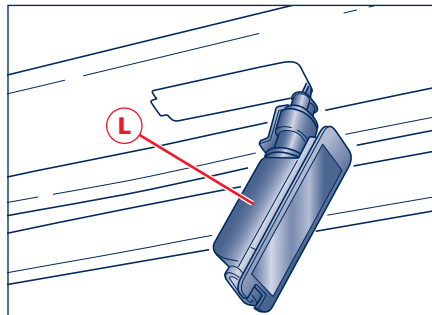
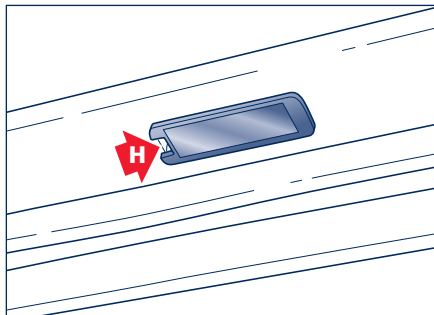
- 3) Replace the bulb **G**.
- 4) Refit the cover, inserting first the two-tab side and then pressing on the other side.



Courtesy lights (below door)

To replace the bulb:

- 1) Use a screwdriver positioned at point **H** to pry out the light fixing frame.
- 2) Rotate the bulb holder **L** and remove it.
- 3) Replace the pressure-fitted bulb **M**.
- 4) Refit the bulb holder **L** inserting first the electrical connector side and then pressing on the other side to hook the clip.





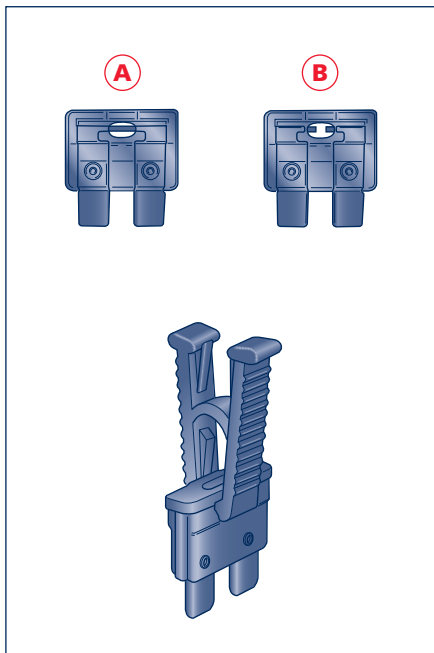
If a fuse blows

Replacing the fuses

When an electrical device is not functioning, check that the corresponding fuse is in proper working order.

A - Fuse intact.

B - Fuse blown.



Replace the faulty fuse with a new one having the same rating (same color).

If the fault recurs, consult your **Authorized Maserati Dealer**.



Never replace a blown fuse with anything other than a sound fuse having the same rating/color.

Position of fuses/relays

The fuses/relays are located in various parts of the vehicle, namely:

- On the right-hand side of the luggage compartment.
- Behind the glove compartment, to the left of the steering wheel.
- In the luggage compartment next to the battery.

Fuse colors

	dark yellow	brown	red	light blue	yellow	white	green
Ampere	A5	A7.5	A10	A15	A20	A25	A30

Maxi Fuse colors

	yellow	green	orange	red	blue
Ampere	A20	A30	A40	A50	A60

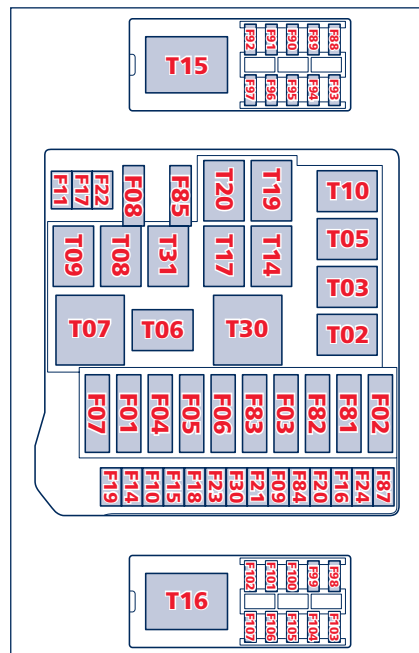
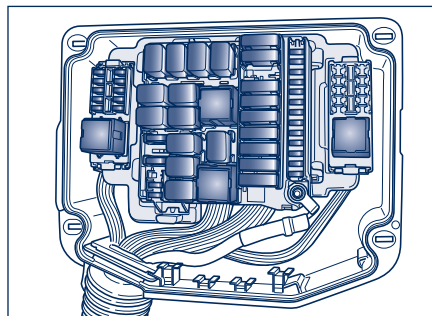
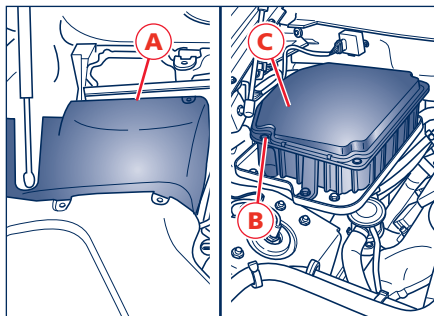
Fuses and relays inside the engine compartment

To access the fuses/relays, lift the engine compartment lid, remove the covering panel **A**, then undo the 4 screws **B** to remove the cover **C**.

The fuses/relays are housed in 3 control boxes.

The list of fuses and relays is shown in the following pages.

WARNING: If you need to wash the engine compartment, do not direct the jet of water for too long directly on the engine compartment ECU.





Engine compartment relay

Pos.	Type	Function
T02	Micro 20 A	Side markers
T03	Micro 20 A	Spot lights
T05	Micro 20 A	Stop light control relay
T06	Micro 20 A	Horns
T07	Maxi 50 A	I.E. Main relay
T08	Micro 20 A	Air conditioning/heating system compressor
T09	Micro 20 A	High beams
T10	-	Not used
T14	Micro 20 A	Fog lights (Not used)
T15	Maxi 50 A	1 st speed - radiator electric fan
T16	Maxi 50 A	2 nd speed - radiator electric fan
T17	-	Not used
T19	Micro 20 A	Ignition enable
T20	Micro 30 A	Ignition
T30	Maxi 50 A	Air pump
T31	Micro 30 A	Headlight washer pump

Engine compartment fuses

Pos.	Amp.	Color	System / Component
F01	Maxi 60 A	Blue	Fan 1 relay
F02	Maxi 30 A	Green	ABS valves
F03	Maxi 20 A	Yellow	T03 spot lights relay
F04	Maxi 40 A	Orange	ABS cylinder
F05	Maxi 40 A	Orange	A.C. Node
F06	Maxi 60 A	Blue	Fan 2 relay
F07	30 A	Green	T07 I.E. main relay
F08	7.5 A	Brown	T08 - Air conditioner compressor relay



Pos.	Amp.	Color	System / Component
F09	7.5 A	Brown	T05 stop light control relay
F10	15 A	Light blue	T06 horn relay
F11	10 A	Red	LH high-beam
F14	-	-	Not used
F15	15 A	Light blue	Alternator sensing
F16	10 A	Red	LH spot light
F17	10 A	Red	RH high-beam
F18	7.5 A	Brown	I.E. bank
F19	15 A	Light blue	T02 DRL lights relay
F20	-	-	Not used
F21	15 A	Light blue	T14 fog lights relay (Not used)
F22	-	-	Not used
F23	10 A	Red	ABS electronics
F24	10 A	Red	RH spot light
F30	30 A	Green	T20 ignition relay
F81	Maxi 50 A	Red	CPL2
F82	-	-	Not used
F83	Maxi 50 A	Red	Air pump relay
F84	20 A	Yellow	Ignition switch
F85	30 A	Green	Headlight washers
F87	-	-	Not used
F88	15 A	Light blue	Main injector/coil relay - cylinders 1-4
F89	15 A	Light blue	Main injector/coil relay - cylinders 5-8
F90	15 A	Light blue	Main I.E. relay, secondary connected devices
F91	10 A	Red	Main relay, I.E. ECU
F92	15 A	Light blue	Main relay, oxygen sensors
F93	7.5 A	Brown	Not used
F94	7.5 A	Brown	NCS



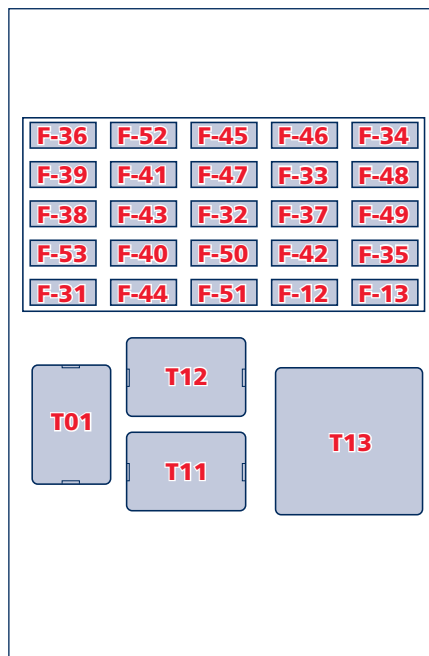
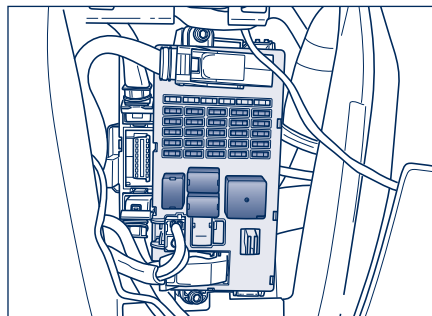
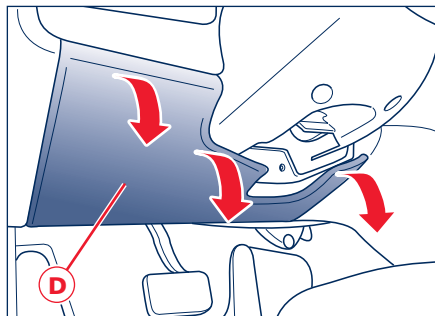
Pos.	Amp.	Color	System / Component
F95	7.5 A	Brown	CSG
F96	7.5 A	Brown	Alternator
F97	10 A	Red	I.E. ECU
F98	-	-	Not used
F99	-	-	Not used
F100	-	-	Not used
F101	-	-	Not used
F102	-	-	Not used
F103	-	-	Not used
F104	-	-	Not used
F105	-	-	Not used
F106	-	-	Not used
F107	-	-	Not used

Fuses and relays in the passenger compartment, to the left of the steering wheel

To access the fuses/relays, lift the guard **D**.

The fuses/relays are housed in 2 control boxes.

The list of fuses and relays is shown in the following pages.





Relays in the passenger compartment, to the left of the steering wheel

Pos.	Type	Function
T01	Micro-relay 30A	Low beams
T11	Micro-relay 30A	Heated rear window
T12	Micro-relay 30A	Connected devices 1 (Controlled by INT/A Ignition switch)
T13	Maxi-relay 50A	Jumper 30/87

Fuses inside the passenger compartment, to the left of the steering wheel

Pos.	Amp.	Color	System / Component
F12	15A	Light blue	Right-hand low beam
F13	15A	Light blue	Left-hand low beam
F31	7.5A	Brown	A/C unit., NBC (Body Computer Node), high beam relay
F32	10A	Red	Dome lights, step lights, CAV, driver- and passenger-side footwell lights, external mirror lights
F33	30A	Green	Driver's seat (movement)
F34	30A	Green	Passenger's seat (movement)
F35	7.5A	Brown	ACC, FN and LF relay coil
F36	10A	Red	NQS
F37	10A	Red	NQS (Instrument Panel Node), CPP, CPD
F38	15A	Light blue	Rear lid lock
F39	15A	Light blue	NIM (Inside Roof Node), NCL (Air conditioning and heating system node), EOBD socket, CSA (Alarm system siren ECU), CAV (Motion sensing alarm ECU), radio
F40	30A	Green	Heated rear window
F41	-	-	Not used
F42	-	-	Not used
F43	30A	Green	Windshield wiper/washer (Connected Devices Relay INT/A)
F44	20A	Yellow	Front and rear cigarette lighter (INT/A device relay) front seat heating (passenger side)
F45	-	-	Not used



Pos.	Amp.	Color	System / Component
F46	20A	Yellow	NPG/NPP Locks
F47	30A	Green	NPG (Driver's door node)
F48	30A	Green	NPP (Passenger's door node)
F49	7.5A	Brown	NVO (Steering wheel node), CSG (Power steering ECU), CSP (Twilight/rain sensor ECU), NIM (Inside Roof Node), NCL, Radio, CEM, CRP, dome light molding, windshield wiper controls
F50	7.5A	Brown	Airbag system
F51	7.5A	Brown	NCA (Automatic Gearbox Node)
F52	15A	Light blue	Front seat heating (driver side) (INT/A device relay)
F53	10A	Red	Rear fog lights



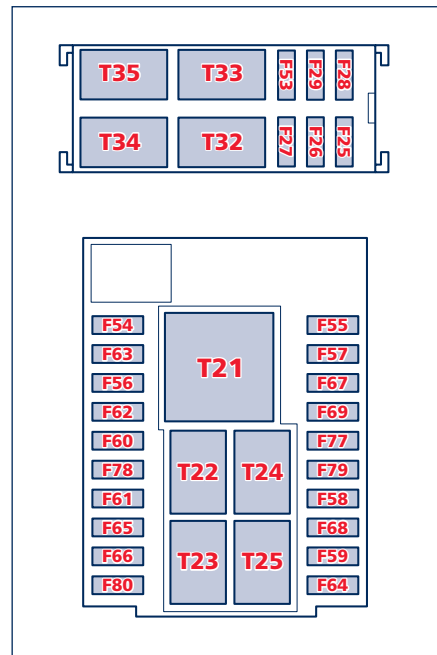
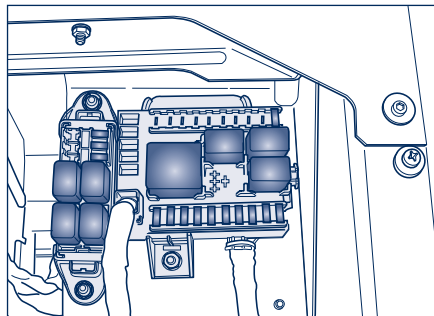
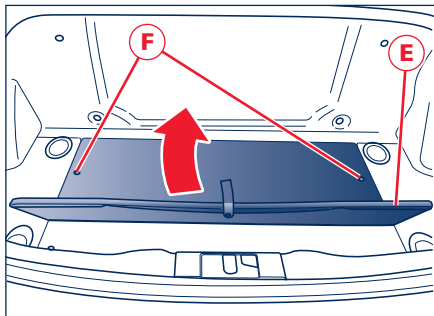
Relay/fuse boxes inside the luggage compartment

To access the fuses/relays, remove the cover E by undoing the retaining screws F.

There are 2 relay and fuse boxes.

To access the fuses and relays inside the control boxes, remove the covers by levering up the fastening tabs.

6





Relays inside the luggage compartment

Pos.	Type	Function
T21	-	Not used
T22	-	Not used
T23	Micro 20 A	Reverse gear relay
T24	Micro 20 A	Third stop relay
T25	Micro 20 A	Fuel tank door relay
T32	Micro 30 A	Key-Lock solenoid
T33	-	Not used
T34	Micro 30 A	Fuel pump 1
T35	Micro 30 A	Fuel pump 2

Fuses inside the luggage compartment

Pos.	Amp.	Color	System / Component
F25	-	-	Not used
F26	-	-	Not used
F27	-	-	Not used
F28	-	-	Not used
F29	-	-	Not used
F53	-	-	Not used
F54	30 A	Green	HI-Fi amplifier
F55	-	-	Not used
F56	10 A	Red	+30 NAG, Bose tuner
F57	-	-	Not used
F58	7.5 A	Brown	RH Reverse from T23
F59	-	-	Not used
F60	7.5 A	Brown	NSP
F61	7.5 A	Brown	T24 third stop
F62	20A	Yellow	NCA



Pos.	Amp.	Color	System / Component
F63	15 A	Light blue	T25 fuel tank door relay
F64	-	-	Not used
F65	10 A	Red	Key-Lock solenoid
F66	20 A	Yellow	Fuel pumps
F67	-	-	Not used
F68	-	-	Not used
F69	-	-	Not used
F77	-	-	Not used
F78	20 A	Yellow	Power socket
F79	-	-	Not used
F80	25 A	White	Bass box



If the battery is dead

We recommend that you read the precautions contained in the section "Maintenance" to prevent the battery from going dead and to help ensure its long life.

Starting with an auxiliary battery

See the chapter "Starting the engine" in the section "Using the vehicle".

WARNING: Under no circumstance should a stand alone battery be used for an emergency start-up: you could damage the electronic systems, particularly the ECUs, which control the ignition and fuel supply functions.

Recharging the battery

You are advised to recharge the battery slowly and at a low amperage for about 24 hours.

Follow the instructions below:

- 1) Deactivate the electronic alarm using the remote key control.
- 2) Open the luggage compartment (see on page 94) and remove the panel on the floor, then disconnect the electric system terminals from the battery poles.

WARNING: First disconnect the negative pole terminal (-) then the positive pole one (+).

- 3) Connect the battery charger cables to the battery poles.

WARNING: The battery is secured in the vehicle by means of a metal bracket, therefore, be extremely careful not to let the battery charger clips come into contact with it.

- 4) Turn on the battery charger.
- 5) When the battery is recharged, turn off the battery charger before disconnecting it from the battery.
- 6) Reconnect the terminals to the battery poles, observing the polarity.

WARNING: First reconnect the positive pole terminal (+) and then the negative pole one (-).

WARNING: Before reconnecting the battery terminals, check that the key has been removed from the ignition switch or at least that it is in **STOP (OFF)** position.



The fluid contained in the battery is poisonous and corrosive. Avoid contact with the skin and eyes. The battery recharging procedure must be performed in a ventilated environment away from open flames or possible sources of sparks: Risk of explosion and fire!



Battery posts, terminals and related accessories contain lead and lead compounds. Wash your hands after handling.



**California Proposition 65
Warning**

THIS MOTOR VEHICLE CONTAINS CHEMICALS KNOWN TO THE STATE OF CALIFORNIA TO CAUSE CANCER, BIRTH DEFECTS OR OTHER REPRODUCTIVE HARM (see page 7)



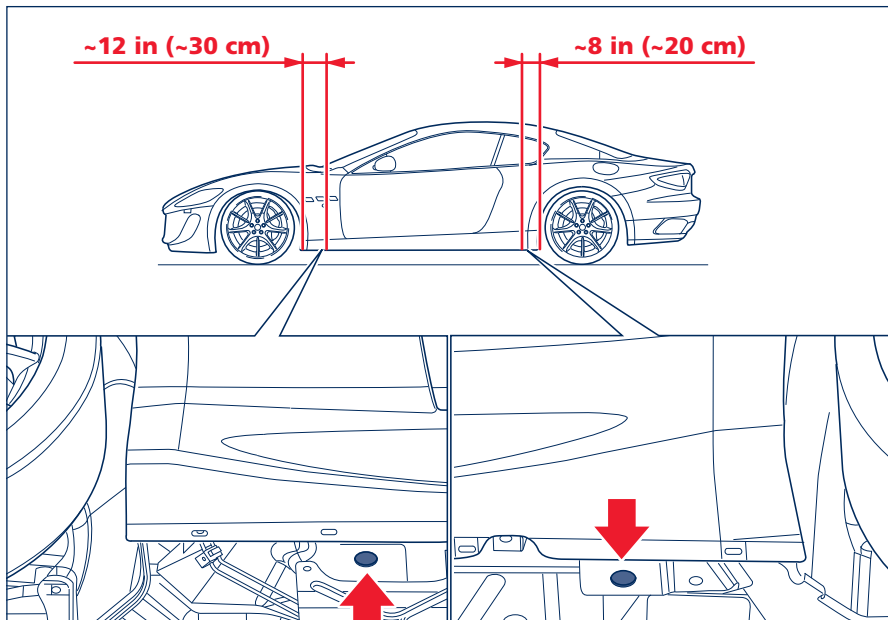
If you have to jack up the vehicle



The jack can be used only to replace the wheels. Under no circumstance should it be used for repairs under the vehicle.

Using the jack

See the chapter "If a tire is punctured", in this section.



If you have to tow the vehicle

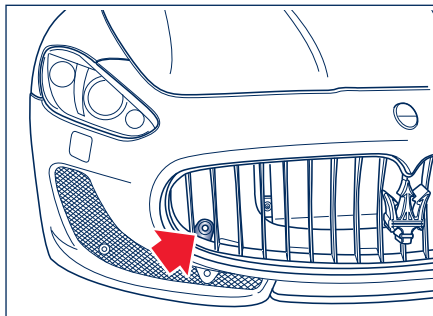
If you need to tow the vehicle, observe the following recommendations:

- if possible, have the vehicle transported on a vehicle equipped with loading platform and specific for roadside assistance and recovery.

If this is not possible:

- tow the vehicle for a distance of less than 62 mi (100 km) at a speed below 37 mph (60 km/h).


Tow the vehicle using the towing hook found in the toolkit. Screw the towing hook down tightly in its seat, on the lower, right-hand side of the front bumper.



In order to tow the vehicle, turn the key to **MAR (ON)** and engage Neutral by moving the gearshift lever to **N**. Should the EPB be applied, you must disengage it (see page 163). The maximum angle of the towing cable, both horizontal and vertical shall be $\pm 15^\circ$.



Do not extract the key, as the steering wheel will lock automatically and you will be unable to steer the wheels.

WARNING: If you need to tow the vehicle with two wheels raised, make sure that the ignition key is in position **STOP (OFF)**. Otherwise, with ESC activated, the relative electronic control unit memorizes a malfunction and the warning light  is activated on the instrument panel, which requires the assistance of an **Authorized Maserati Dealer** to reset the system.



When towing the vehicle, make sure that you observe the road traffic regulations concerning both the towing device and driving conduct.

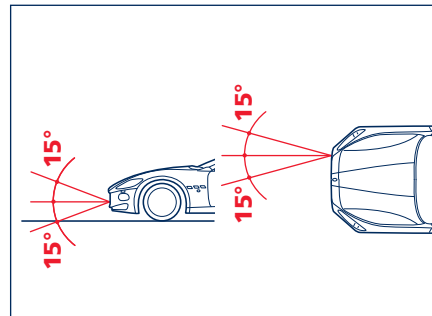


When towing the vehicle with the engine off, remember that, without the assistance of the brake servo, a stronger effort is required on the brake pedal for braking and on the steering wheel for steering.



Screw the towing hook into its seat (approx. 11 turns). Accurately clean the threaded seat before tightening the hook.

WARNING: The maximum angle of the towing cable, both horizontal and vertical shall be $\pm 15^\circ$.





In the event of an accident

It is important always to stay calm.

- If you are not directly involved, stop at a safe distance of at least 11 yd (10 m) away from the accident area.
- If you are on a highway, stop without obstructing the emergency lane and be especially careful if you need to exit the vehicle.
- Turn off the engine and turn on the hazard lights.
- At night, illuminate the accident area with the headlights.
- Always act with caution: you should not risk someone crashing into you.
- Indicate that an accident has occurred by placing the emergency triangle in a well visible position and at the prescribed distance.
- Call the emergency services, providing as much information as possible. On highways, use the special emergency call boxes.
- Remove the ignition key from the vehicles involved.
- If you smell fuel or other chemical products, do not smoke and ask people around you to put their cigarettes out.

To extinguish fires, even small ones, use a fire extinguisher, blankets, sand or earth. Never use water.

In multiple vehicle accidents occurred on highways, particularly where visibility is poor, there is a high risk of being involved in other collisions. Leave your vehicle immediately and move away from it.

If there are injured persons

- Never leave an injured person alone.
- Do not crowd around injured persons.
- Reassure the injured person that help is on the way and stay close to them to assist them.
- Unfasten or cut the seat belts restraining the injured persons.
- Do not give the injured persons anything to drink.
- The injured person should never be moved.

- Remove the injured person from the vehicle only if there is a risk of fire, sinking in water or falling down into a pit. When removing injured persons from the vehicle, do not pull their limbs, bend their head and, as far as possible, keep their body in a horizontal position.



Capacities and technical specifications

Fuel Requirements	198
Engine oil	199
Fuel consumption	199
Capacities: Quantity and specifications of the products to use	200
Technical specifications	202
Tire pressure	208



Fuel Requirements

Octane Rating

Maserati engines are designed for optimum performance on unleaded premium gasoline with an AKI octane rating of 91 or above. AKI (Anti Knock Index) is an average of the Research Octane Number, RON, and the Motor Octane Number, MON (RON + MON/2 gives you the AKI).

Unleaded Fuel

Maserati incorporates a catalytic converter system and you must only use unleaded gasoline. U.S. and Canadian regulations require that pumps delivering unleaded gasoline be labelled "UNLEADED". Only these pumps have nozzles which fit your vehicle's fuel filler inlet. It is unlawful to dispense leaded fuel into a vehicle labelled "unleaded gasoline only". Leaded gasoline damages the catalytic converter and heated oxygen sensor system. Repeated use of leaded gasoline will lessen the effectiveness of the emission control system and could result in loss of emission warranty coverage. State and local vehicle inspection programs will make detection of misfueling easier,

possibly resulting in emission test failure for misfueled vehicles.

WARNING: Some U.S. & Canadian gasolines use an octane enhancing additive called Methylcyclopentadienyl Manganese Tricarbonyl (MMT). If such fuels are used your Emission Control System performance may be affected, and the check engine light located on the instrument panel/cluster assembly may illuminate (come ON). If the check engine light illuminates be sure to visit your **Authorized Maserati Dealer** for vehicle service.

Gasoline Containing Alcohol & Ethers ("Oxygenated Fuels"):

Some fuels in the U.S. and/or Canada, contain "oxygenates" which are usually alcohols or ethers. In some locations in the U.S. and/or Canada, state or local laws require that the fuel station fuel service pumps be clearly marked indicating use of alcohols or ethers. Please be aware that in some geographic areas fuel stations may have fueling pumps that are unmarked. If you are not sure if the fuel you will be dispensing into your vehicle contains alcohol or ethers, ask the fuel service station operator.

WARNING: Some geographical areas in the U.S. and/or Canada, require the use of "oxygenated" fuels to meet seasonal air quality standards.

- Alcohol - Ethanol: Fuels containing ONLY up to 10% ethanol by volume may be used (ethanol may also be referred to as Ethyl alcohol, or "Gasohol").

- Ethers - MTBE: Fuel containing ONLY up to 15% MTBE may be used.

WARNING: Do not use any gasoline that contains lead as a knock inhibitor, and DO NOT use lead additives. The use of Detergent gasoline is effective in minimizing fuel injector and intake valve deposits. The use of external fuel injector cleaning systems/fluids is NOT recommended.



**California Proposition 65
Warning**

**THIS MOTOR VEHICLE CONTAINS
CHEMICALS KNOWN TO THE
STATE OF CALIFORNIA TO CAUSE
CANCER, BIRTH DEFECTS OR OTHER
REPRODUCTIVE HARM (see page 7)**



Engine oil

To check the level, please see the section "Maintenance".

Do not top up with oil having characteristics other than those of the oil already used.

The gap between the MIN and MAX reference marks on the dipstick corresponds to about 0.4 US gal (1.5 liters) of oil.

Use SAE 5W/40 API SL/CF and ACEA A3, B3, B4 oil for fuel-powered engines. Recommended: Shell Helix Ultra 5W-40 API SM/CF.

Fuel consumption

The fuel consumption values shown in the following table were established based on homologation tests (your actual mileage may vary).

Fuel consumption (m.p.g. (USA))

<i>City</i>	<i>Highway</i>
15.8	28.6

NOTE: The type of route, traffic conditions, weather conditions, driving style, general condition of the vehicle, equipment/accessories in the vehicle, use of the air conditioning system, vehicle load and other items or situations which may negatively affect the vehicle aerodynamics or wind resistance lead to consumption ratios differing from the indicated ones.

NOTE: The fuel economy values shown are tested values.



Capacities: Quantity and specifications of the products to use

Capacities and recommended products (*)

<i>Parts to be refilled</i>	<i>Quantity</i>	<i>Product specifications</i>
Fuel tank (including low fuel sector)	approximately 22.72 US gal (86 liters)	Premium unleaded gasoline with no less than 91 AKI.
Fuel reserve	approximately 4.75 US gal (18 liters)	
Engine oil:		Entirely synthetic multigrade lubricants SAE 5W/40 that meet API SL/CF and ACEA A3, B3, B4 specifications. Oil type Pennzoil Platinum Euro 5W-40.
- periodical replacement	2.37 US gal (9.0 liters)	
- top up from the MIN to the MAX level	0.4 US gal (1.5 liters)	WARNING: Do not top up with oil having characteristics other than those of the oil already used. WARNING: Engine oil consumption depends on the driving style and on the use of the vehicle.
Windshield/headlight washer fluid tank	1.72 US gal (6.5 liters)	Mix of water and detergent fluid, in the proportions indicated on the product package. Detergent fluid: Mix of CUNA NC 956-II surfactants and alcohols. Recommended fluid: Wuerth Windshield Washer Fluid with antifreeze or Arexons DP1.. WARNING: If the temperature is below -4 °F (-20°C), use pure detergent fluid.

(*) We reserve the right to change specifications without prior notification.



<i>Parts to be refilled</i>	<i>Quantity</i>	<i>Product specifications</i>
Engine cooling system	3.43 US gal (13 liters)	Mix of water and coolant, in the proportions indicated on the product package. Coolant: Inhibited monoethylene glycol-based protective fluid with anti-freezing action: CUNA NC 956-16. Type GlycoShell/GlycoShell Long Life.
Hydraulic power steering	-	Oil Type: Shell Spirax S1 ATF TASA. Oil Type ATF Type A - MB 236.2 - ZF ML09/12 Shell Donax TM
Gearbox oil	2.65 US gal (10.03 liters)	Oil Type Shell M1375.4 DEXTRON III
Differential oil	2.4 lb (1.1 kg)	Oil Type Shell SPIRAX S 75W140.
Braking system	-	Synthetic fluid: USA FMVSS n. 116 DOT 4, ISO 4925 Class 4, JIS K 2233 Class 5, AS/NZ 1960 Class 3, SAE J1704, CUNA NC 956-01. Type: Petronas Tutela TOP 5 FF. IMPORTANT: Please contact the Authorized Maserati Dealer for any refill and/or replacement operations.
Air conditioning coolant	1.32 lb +/- 0.066 lb (600 gr +/- 30 gr)	R134a PAG RL 897
Air conditioning compressor oil	0.053 US gal +/- 0.0026 US gal (200 ml +/- 10 ml)	Oil Type Ucon RL 897



Technical specifications

Engine

<i>General</i>		
Vehicle ID code		M145B
Cycle		Otto
Cylinder number and position		8 - 90° V
Number of valves per cylinder		4
Bore and stroke	mm	94x84.5
Total displacement	cm ³	4691
Compression ratio		11.2±0.2:1
(*) Maximum power (EC)	kW	338
	HP	454
Corresponding RPM	RPM	7000
Maximum torque (EC)	Nm	520
	ft.lb	384
Corresponding RPM	RPM	4750

(*) Values obtained in SPORT mode with 98 R.O.N. unleaded gasoline.

Injection – Ignition

The ignition and injection system is controlled by a single microprocessor ECU. This is designed to enhance engine performance, improving vehicle handling, and to reduce fuel consumption by optimizing engine performance with partial loads.

Injection

- Type Bosch Motronic ME9.

Ignition

- Static ignition
- Ignition sequence:
1-8-6-2-7-3-4-5
- Ignition coil: ELDOR
- Spark plugs: NGK PMR8C-H.

Battery

FIAMM 12V 100 Ah 850A.

Electric alternator

NIPPONDENSO SC2 150A.



Lubrication system

The lubrication system is controlled by the wet sump system through an oil pump and the relative suction screen, incorporated in the crankcase.

Cooling system

Engine cooling is obtained by means of an anti-freeze mixture circulating inside a circuit equipped with radiator, centrifugal pump and expansion tank.

Transmission

Electro-hydraulically controlled gearbox with 6 gears, torque converter, lock-up clutch and anti-slip function.

TRANSAXLE-type transmission.

Traction system equipped with rear self-locking differential.

Gearshifting

Six gears plus reverse.

Gear	Gearbox ratios	Total reduction ratios (engine revolutions/ wheel revolutions)
1 st gear	4.171	15.55
2 nd gear	2.340	8.72
3 rd gear	1.521	5.67
4 th gear	1.143	4.26
5 th gear	0.867	3.23
6 th gear	0.691	2.58
Reverse	3.403	12.68

Differential

The ratios are:

Differential reduction ratio	3.54
------------------------------	------



Brakes

Service and emergency brakes

Self-ventilating disc brakes on the four wheels.

Two diagonally opposed and independent hydraulic control circuits.

Vacuum brake servo.

4-channel ABS system with Electronic Brake force Distribution (EBD) and braking assistance system (HBA) for emergency braking.

Electric parking brake

The electric parking brake (EPB) acts on the rear wheels.

It is activated manually, by lifting the lever found in the central panel of the center console (see page 163).

Suspension:

Front and rear

Articulated quadrilateral suspensions.

Suspension with Skyhook adjustable damping

This system allows the driver to choose two settings for the shock absorbers, depending on the road surface conditions, speed and comfort.

Speed-sensitive steering wheel

Rack and pinion hydraulic steering, with pump driven by the drive shaft and tank. Articulated steering column, with energy absorption and adjustable inclination and height. Speed-sensitive, it gets more rigid as the speed increases.

- Steering diameter = 11.7 yd (10.7 m)
- No. of steering wheel turns = 1.5 (to the left and right)

Wheels

Wheel rims and tires

	<i>Wheel rim size</i>	<i>Tire size</i>	<i>Winter tires</i>
front	8.5" J x 20"	245/35 ZR20	245/35 ZR20
	8.5" J x 19" (°)	245/40 ZR19 (°)	245/40 ZR19 (°)
rear	10.5" J x 20"	285/35 ZR20	285/35 ZR20
	10.5" J x 19" (°)	285/40 ZR19 (°)	285/40 ZR19 (°)

(°) Rims and tires available on request



Alternatively, you may use winter tires having the same dimensions as those provided with the vehicle.

WARNING: While respecting the specified sizes, for the safe operation of the vehicle it is also essential that it is equipped with the same brand and type of tires on all wheels.

WARNING: Do not use an inner tube with Tubeless tires.

Snow chains

Maximum radial protrusion permitted over the tire profile: 0.4 in (9 mm).

<i>Rear tire</i>	<i>Snow chains: brand/type</i>
285/35 ZR20	Konig / Supermagic
285/40 ZR19 (°)	Konig / Supermagic

(°) Tires available on request

WARNING: The snow chains must be fitted only where permitted and only on rear tires. For purchasing snow chains, please contact your **Authorized Maserati Dealer**.



Performance (*)

<i>Maximum speed</i>	<i>mph</i>	<i>km/h</i>
	185	298



The maximum speed reachable with winter tires is indicated by the tire manufacturer.
Always comply with the regulations in force in the State you are driving in.

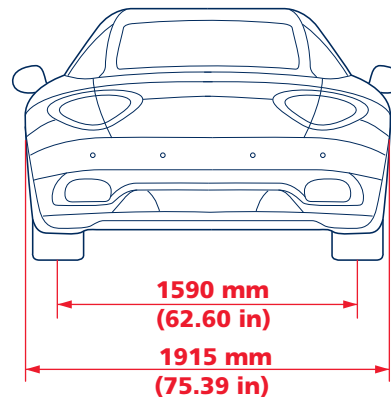
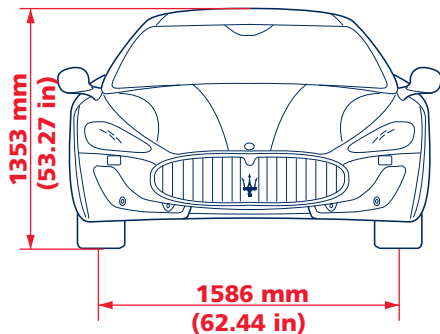
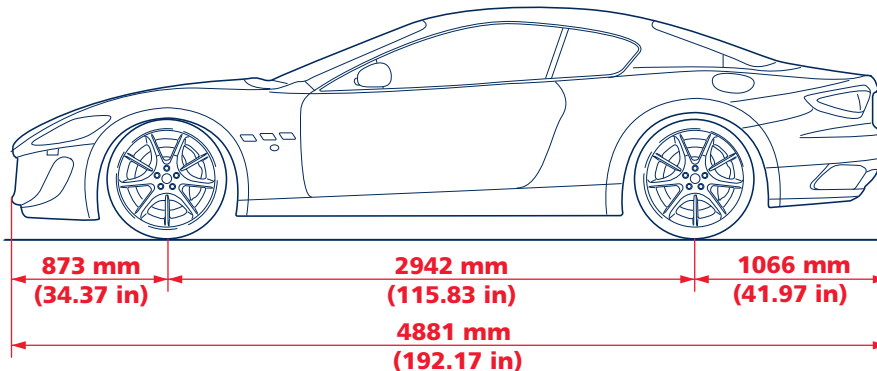
<i>Accelerations at standing start (in seconds)</i>	<i>0-60 mph (0-100 km/h)</i>
	4.8 sec.

(*) Values obtained in SPORT mode with 98 R.O.N. unleaded gasoline.

Weights

<i>Weights</i>	
Unladen vehicle weight (with tanks filled, tools and accessories)	4160 lb (1890 kg)
Weight with full load (4 persons plus luggage)	4820 lb (2190 kg)

Dimensions





Tire pressure

Tire inflation pressure when cold (psi/bar).

	<i>Wheel rim size</i>	<i>Tire size</i>	<i>Winter tires</i>	<i>Inflation pressure when cold - psi (bar)</i>
front	8.5" J x 20"	245/35 ZR20	245/35 ZR20	32 (2.2)
	8.5" J x 19" (°)	245/40 ZR19 (°)	245/40 ZR19 (°)	32 (2.2)
rear	10.5" J x 20"	285/35 ZR20	285/35 ZR20	32 (2.2)
	10.5" J x 19" (°)	285/40 ZR19 (°)	285/40 ZR19 (°)	32 (2.2)

(°) Rims and tires available on request



Alternatively, you may use winter tires having the same dimensions as those provided with the vehicle.



The maximum speed reachable with winter tires is indicated by the tire manufacturer. Always comply with the regulations in force where you are driving.



Never exceed the maximum speed indicated for the winter tires: failure to respect the max. speed may damage these tires. Danger: risk of accident!



Maintenance

Maintenance Schedule	210
Additional checks	212
Level checks	213
Air filter	217
Dust/pollen filter	217
Battery	217
Electronic control units	220
Spark plugs	221
Wheels and tires	221
Windshield wipers	223
Air conditioning system	224
Bodywork	224
Interiors	226
If the vehicle is stored for long periods	227
Conversion table	230



Maintenance Schedule

Correct maintenance is the optimal way to help maintain vehicle performance and safety features, ensure respect for the environment and low operating costs.

WARNING: Also remember that thorough observance of the maintenance procedures is essential for keeping your vehicle operating properly. Not adhering to the maintenance schedule can impact your vehicle's warranty.

For this reason, MASERATI has provided for a series of checks and maintenance operations involving the 1st service when the vehicle mileage reaches 12500 mi (20000 km) or after two years of the vehicle life, and subsequently every 12500 mi (20000 km) or every two years.

After the 12th maintenance service

After the 12th maintenance service, Maintenance Schedule services are restarted with the same operations performed for the 1st, 2nd, 3rd Services.

WARNING: The Maintenance Schedule services are prescribed by the Manufacturer. Failure to have the services performed can affect your warranty.

Maintenance Schedule Services are provided by your **Authorized Maserati Dealer**. In the event that, when a service is performed, further replacements or repairs are found to be necessary in addition to the scheduled operations, these can be performed only with the specific consent of the Customer.

WARNING: You are advised to notify your **Authorized Maserati Dealer** of any minor operating problems, without waiting for the next service.

The Maintenance Schedule is contained in the "Warranty and Maintenance Schedule" book.

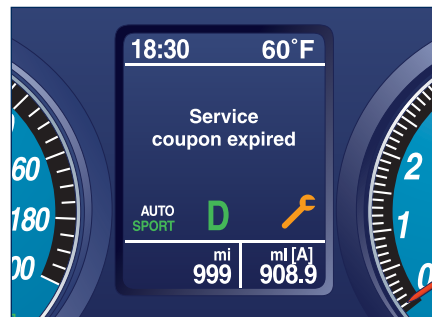
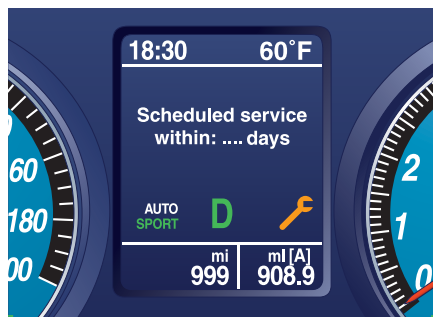
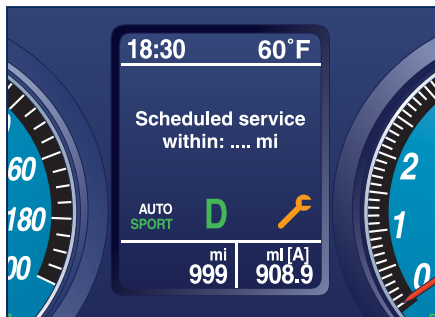
When the deadlines for Maintenance Schedule services are approaching, a message on the display indicates that service is due. The deadline may be expressed in kilometers/miles or days, whichever comes first.

The message is displayed only once, upon activating the instrument panel, at decreasing intervals expressed in mi/km (1100, 990, 60, 30) or in days (27, 24, 6, 3), accompanied by a specific symbol (wrench):

Once the set limit in kilometers/miles or the expiration date is reached, every time the instrument panel is turned on thereafter, the message "Service coupon expired" will be displayed.

Selecting the "SERVICE INFO" function on the Multi Media System, you can view the date when the next service is due (see section 6 "On board computer (TRIP)" in the Multi Media System manual). The number of kilometers/miles left before reaching the maintenance service deadline is always indicated. The days remaining before the scheduled date instead, are only indicated starting from the 511th day (approximately 17 months).

WARNING: Every time the battery is disconnected, the Multi Media System must be set following the instructions in the "Multi Media System" manual, section 7, "Configuration". Failure to reset the system may cause it to malfunction and indicate wrong maintenance service intervals.





Additional checks

Every 300 mi (500 km) or before long journeys, check and if necessary correct:

- Engine coolant level
- Windshield washer fluid level
- Tire pressure and condition.

WARNING - Engine oil

If the vehicle is used mainly in one of the following heavy-duty conditions:

- dusty roads;
- short repetitive trips (less than 4-5 mi / 7-8 km) when the external temperature is below zero;
- engine running frequently at idle speed or without reaching steady operating temperatures;

replace the engine oil more frequently than indicated in the Maintenance Schedule.

WARNING - Air filter

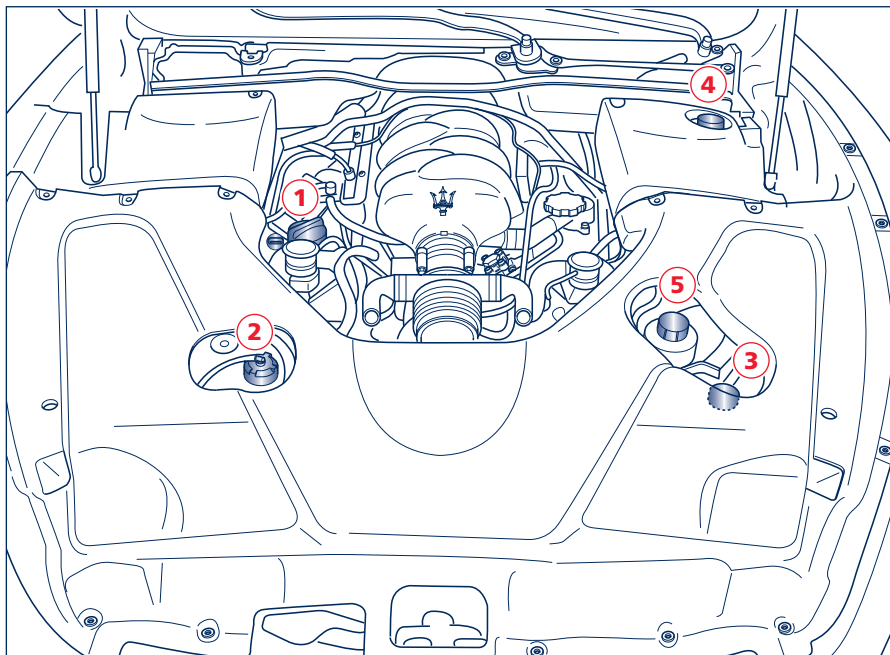
When using the vehicle on dusty roads, replace the air filters more frequently than indicated in the Maintenance Schedule.

Contact your **Authorized Maserati Dealer** if you have any doubts about the frequency for engine oil and air filter replacements, in the relation to the vehicle conditions of use.

WARNING: Vehicle maintenance services must be performed by your **Authorized Maserati Dealer**. For those routine and minor maintenance operations which you can perform yourself, always make sure that you are using the right equipment, genuine Maserati spare parts and the recommended fluids; in any case, never perform these operations if you are unexperienced.

Level checks

- 1) Engine oil
- 2) Engine coolant
- 3) Windshield/headlight washer fluid
- 4) Brake fluid
- 5) Power steering fluid





Engine oil

The level must be checked with the vehicle on a flat surface, following the procedure below:


- start the vehicle and warm it up until the temperature stabilizes;
- turn off the engine, remove the filler cap **A** and wait 5 minutes to allow the oil to flow into the sump;
- measure the level and top up if necessary.

The oil level must be between the **MIN** and **MAX** notches on the dipstick. The interval between **MIN** and **MAX** corresponds to approximately 0.4 US gal (1.5 liters) of oil.

WARNING: Do not exceed the MAX level!

If the oil level is near or even below the **MIN** reference notch, top up with oil pouring it through the filler neck plugged by cap **A**, until reaching the **MAX** reference notch. The oil level should never exceed the **MAX** reference notch.

WARNING: Do not top up with oil whose specifications differ from those of the oil already used in the engine.

After topping up, the engine oil level warning light  may not go off for some time while the system is performing the necessary checks. This is normal.

After topping up or replacing the oil, check its level once again.

WARNING: The engine oil used and the oil filter replaced contain substances that are dangerous for the environment. For replacing the oil and

the filters you are advised to contact your **Authorized Maserati Dealer**, who has all the necessary equipment to dispose of the used oil and filters in compliance with the regulations in force and in an environment-friendly manner.



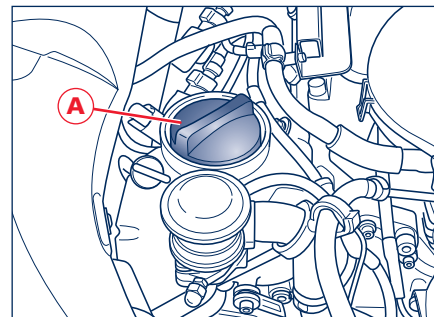
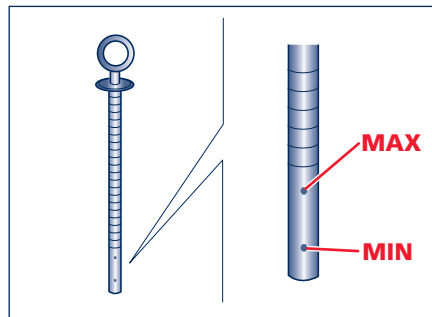
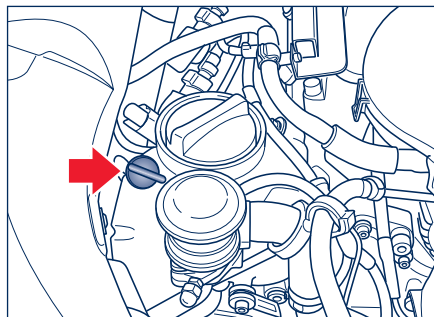
Used engine oil contains chemicals that have caused cancer in laboratory animals.

Always protect your skin by washing the affected areas thoroughly with soap and water.



California Proposition 65 Warning

THIS MOTOR VEHICLE CONTAINS CHEMICALS KNOWN TO THE STATE OF CALIFORNIA TO CAUSE CANCER, BIRTH DEFECTS OR OTHER REPRODUCTIVE HARM (see page 7)





Gearbox oil

Contact your **Authorized Maserati Dealer** for the oil level check.

WARNING: Do not top up with oil having characteristics other than those of the oil already used in the engine.

WARNING: Waste transmission oil contains substances that are dangerous for the environment. For replacing the oil, you are advised to contact your **Authorized Maserati Dealer**, who has the necessary equipment to dispose of the used oil in compliance with the regulations in force and in an environment-friendly manner.



**California Proposition 65
Warning**

**THIS MOTOR VEHICLE CONTAINS
CHEMICALS KNOWN TO THE
STATE OF CALIFORNIA TO CAUSE
CANCER, BIRTH DEFECTS OR OTHER
REPRODUCTIVE HARM (see page 7)**

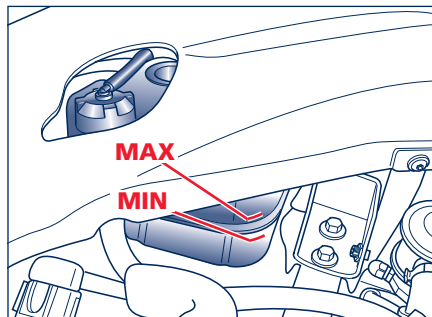
Engine coolant



**When the engine is very hot,
do not remove the tank cap:
risk of burns!**

The fluid level must be checked with the engine cold and must be between the **MIN** and **MAX** reference notches visible on the tank.

If the level is low, slowly pour the prescribed fluid through the filler neck on the tank, until the level is close to the **MAX** reference notch.

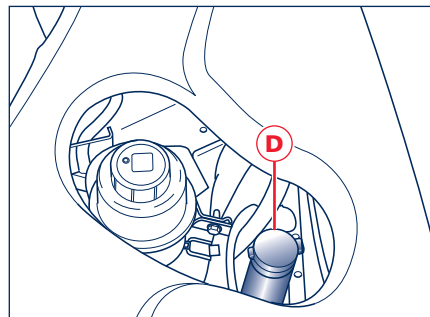


Windshield/headlight washer fluid

To top up with fluid, open the cover **D**, pull out the filler neck extension and pour in a mixture of water and detergent fluid, in the proportions indicated on the product packaging.

WARNING: If the temperature is below -4°F (-20°C), use pure detergent fluid.

WARNING: Do not drive with the windshield washer tank empty: proper operation of the windshield washer is essential for improving visibility.





Power steering fluid

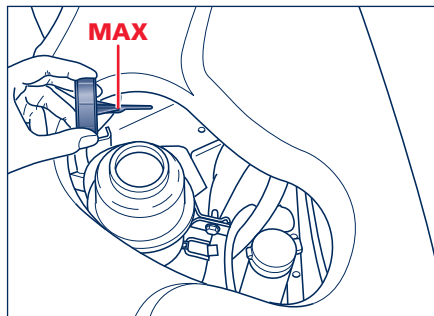
WARNING: Make sure that the power steering fluid does not come into contact with the engine hot parts as it is flammable.

With the vehicle on a level ground and the engine cold, check that the fluid level corresponds with the **MAX** reference notch on the tank cap dipstick.

To perform the check, unscrew the cap, clean the dipstick, replace and tighten the cap, then remove it again and check the level.

When the oil is hot the level may also exceed the **MAX** notch.

If necessary, top up with fluid making sure that it has the same characteristics as the one already used in the system.

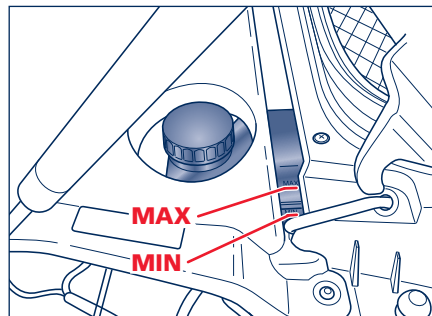


Brake fluid


Check that the fluid level in the tank is at the maximum level. If the level goes below the minimum level, with the ignition key turned to **MAR (ON)**, the warning light **BRAKE** illuminates on the instrument panel.

If additional fluid is needed, use only the type classified as DOT4.

WARNING: The brake fluid is hygroscopic (i.e., it absorbs humidity). For this reason, if the vehicle is used mainly in areas with a high rate of atmospheric humidity, the fluid should be changed more frequently than indicated in the Maintenance Schedule.



WARNING: Do not let the brake fluid, which is highly corrosive, come into contact with the paintwork. If this should happen, wash the paintwork immediately with water.

WARNING: The symbol  on the container identifies the synthetic type of brake fluid, distinguishing it from the mineral type. Using mineral fluids irreparably damages the special rubber linings of the braking system.



**California Proposition 65
Warning**

**THIS MOTOR VEHICLE CONTAINS
CHEMICALS KNOWN TO THE
STATE OF CALIFORNIA TO CAUSE
CANCER, BIRTH DEFECTS OR OTHER
REPRODUCTIVE HARM (see page 7)**

Air filter

Contact your **Authorized Maserati Dealer** to have the air filters replaced.

Dust/pollen filter

This filter performs mechanic/ electrostatic air filtering, provided that windows and doors are fully closed.

Have your dust/pollen filter replaced at least once a year by your **Authorized Maserati Dealer**, preferably at the beginning of the summer period. If the vehicle is mainly used in the city traffic, on highways or dusty roads, we recommend that you replace the filters more frequently than prescribed in the Maintenance Schedule.

WARNING: Failure to replace the filter may considerably reduce the efficiency of the air conditioning system.



We recommend that you have the dust/pollen filter replaced by your Authorized Maserati Dealer.



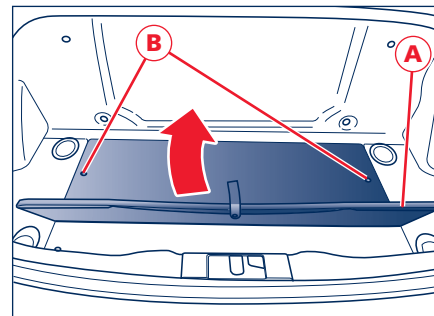
California Proposition 65 Warning

THIS MOTOR VEHICLE CONTAINS CHEMICALS KNOWN TO THE STATE OF CALIFORNIA TO CAUSE CANCER, BIRTH DEFECTS OR OTHER REPRODUCTIVE HARM (see page 7)

Battery

The battery is a “low maintenance” type, and is located on the right-hand side of the luggage compartment. To access the battery, remove the cover **A** by lifting the fastening screws **B**.

The battery fluid (electrolyte), with the vehicle on a level ground, must always be between the reference marks **MIN** and **MAX** on the battery. In the event that the level is below the **MIN** reference mark, please contact your **Authorized Maserati Dealer** to have the system checked. To recharge the battery, see the section “In an emergency”.



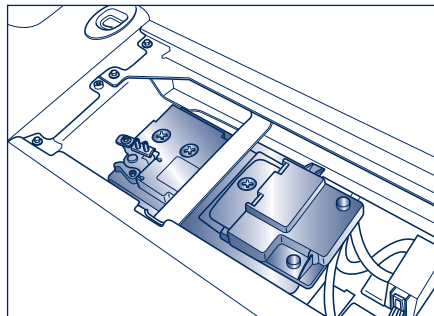


WARNING: If you need to disconnect the battery, wait at least 30 seconds from the last seat movement. If disconnecting the battery before, you will have to perform the initialization procedure described on page 107.



The fluid contained in the battery is poisonous and corrosive. Avoid contact with the skin and eyes. Do not approach the battery with open flames or possible sources of sparks: risk of explosion and fire!

Batteries contain substances that are very harmful for the environment. To replace the battery, please contact your **Authorized Maserati Dealer**, where the battery will be disposed of in full compliance with the regulations in force and in an environment-friendly manner.



Battery posts, terminals and related accessories contain lead and lead compounds. Wash your hands after handling.

WARNING: Incorrect assembly of electrical and electronic accessories can cause serious damage to the vehicle.

WARNING: Ventilation hose: The battery generates hydrogen gas, which is flammable and explosive. The battery is fitted with a ventilation hose which vents hydrogen gas out of the battery compartment through a ventilation opening in the bottom of this compartment. If the battery must be replaced, it is essential that the ventilation hose is properly connected to the battery and that it is routed through the ventilation opening provided.

Make sure the ventilation hose is free of debris. Only use replacement batteries equipped with a ventilation hose. Consult your local **Authorized Maserati Dealer**.

Useful hints for helping to extend the life of the battery

When parking the vehicle, make sure that the doors, luggage and engine compartments are properly closed. All interior lights should be off. When the engine is turned off, do not keep the connected devices on for a long time (e.g., the radio, the hazard lights, the fan, etc.).

WARNING: If the battery charge remains below 50% for a long period of time, it will be damaged due to sulphating; this will reduce its performance and starting power and the battery will be more subject to freezing (this can happen even at 14°F/-10°C).



**California Proposition 65
Warning**

THIS MOTOR VEHICLE CONTAINS CHEMICALS KNOWN TO THE STATE OF CALIFORNIA TO CAUSE CANCER, BIRTH DEFECTS OR OTHER REPRODUCTIVE HARM (see page 7)



We recommend that you have the battery charge condition checked, preferably at the beginning of the cold season, to prevent the electrolyte from freezing.

This check should be performed more frequently if the vehicle is used mainly for short trips or if it is equipped with power absorbing devices that remain permanently on even if when the ignition key is removed. This applies above all in the event of after-market devices.

If the vehicle is not used for long periods of time, please refer to the chapter "If the vehicle is stored for long periods", in this section.

WARNING: If additional systems have to be fitted in the vehicle, there is the risk of creating dangerous branches on the electric wiring, in particular if safety devices are involved.



Electronic control units

No special precautions are required for the normal use of the vehicle. In the case of repairs to the electrical system or in an emergency starting, the following instructions must be strictly followed:

- Never disconnect the battery from the electrical system when the engine is running.
- Disconnect the battery from the electrical system when recharging it (see page 193 "If the battery is dead").

WARNING: If you need to disconnect the battery, wait at least 30 seconds from the last seat movement. If disconnecting the battery before, you will have to perform the initialization procedure described on page 107.

WARNING: When the battery is disconnected, you must first detach the negative pole terminal (-) and then the positive pole one (+).

WARNING: The battery is secured to the vehicle with a metal clamp, so be extremely careful not to let the clips on the end of the cables come into contact with the clamp.

WARNING: When the battery is reconnected, you must first attach the positive pole (+), remembering to cover it with the cap provided, and then the negative one (-).

- Never perform the emergency starting procedure using a battery charger: always use an auxiliary battery.
- Take special care when connecting the battery to the electrical system, checking both that polarity is correct and that the connection is properly working.
- Do not connect or disconnect the terminals of the ECUs when the ignition key is at **MAR (ON)**.
- Do not check the electric polarities through sparking.
- Disconnect the ECUs in the event of electrical welding on the vehicle body. Remove them if the temperature is over 176 °F (80°C) (special operations on the bodywork, etc.).

WARNING: Incorrect installation or modifications to the radio and alarm systems may interfere with the proper operation of the ECUs.

WARNING: Changes or repairs to the electrical system performed incorrectly or without taking into account the technical specifications of the system may cause operating anomalies with the risk of fire.

WARNING: If you need to wash the engine compartment, do not direct the jet of water for too long directly on the engine compartment ECU.



**California Proposition 65
Warning**

**THIS MOTOR VEHICLE CONTAINS
CHEMICALS KNOWN TO THE
STATE OF CALIFORNIA TO CAUSE
CANCER, BIRTH DEFECTS OR OTHER
REPRODUCTIVE HARM (see page 7)**

Spark plugs

In order to help ensure that the engine works efficiently and to keep polluting emissions at a minimum level, it is essential that the spark plugs are sound and clean.

WARNING: The spark plugs must be changed at the intervals indicated in the Maintenance Schedule. Only use the prescribed spark plugs: faults may arise if the heat rating is unsuitable, or if the specified service life is not guaranteed.

Wheels and tires



The Maserati Granturismo S is a performance automobile. Tire wear must be checked regularly and worn tires must be replaced. Tire wear will vary and depends on driving habits and conditions. To help obtain optimal performance and the longest service life from the tires, comply with the following precautions during the first 300 mi (500 km):

- do not drive at the maximum speed of the vehicle
- drive on curves at low speed
- avoid sudden steering
- avoid sudden braking
- avoid sudden acceleration
- do not drive long at high speeds for too long.

How to use the tires

WARNING: The tires must be always maintained in good conditions to help ensure safe driving.

Tire inflation pressure must correspond to the prescribed values and should be checked only when the tires are cold: tire pressure increases as the tire temperature progressively increases.

Never reduce the pressure if the tires are hot.

Insufficient tire inflating pressure can cause tire overheating and possible internal damage, which may even lead to tire destruction.



Check the tire inflating pressure at least every two weeks and before long trips.



Impacts with curbs, holes, and obstacles in the road, and prolonged trips on rough roads can cause tire damage which may not be visible to the naked eye.

Check your tires regularly for any signs of damage (e.g., scratches, cuts, cracks, bulges, etc.).

If sharp objects penetrate the tires, they can cause damage, which is only visible when the tire is removed.

In any case, any possible damage must be inspected by an experienced tire fitter, as it may seriously reduce tire life.

Remember that tires deteriorate with time, even if used little or not at all. Cracks in the tire tread and sides, alongside possible bulging, are a sign of deterioration.



Have the old tires inspected by an experienced tire fitter, to make sure they can still be used safely. If the same tire has been on your vehicle for 4 or 5 years, have it inspected anyway by an experienced tire fitter.



Never fit tires of uncertain origin.



“Directional” tires have an arrow on their side showing the rolling direction. To help maintain optimal performance when replacing a tire, make sure that the rolling direction corresponds to the one marked by the arrow.



During the tire life the rolling direction of the first fitting shall always be observed, also in case of “non-directional” tires.



Check the depth of the tire tread at regular intervals (minimum allowed value 0.06 in / 1.6 mm). As the tread wear increases, there is a greater risk of skidding.



Drive carefully on wet roads to decrease the risk of aquaplaning.

Windshield wipers

Clean the rubber parts regularly using the appropriate products.

Change the blades if the edge of the rubber is deformed or worn. In any case, the blades should be changed about once a year.



Traveling with worn wiper blades is very dangerous because it reduces the visibility in the event of poor atmospheric conditions.



The arms of the wiper blade have to be replaced with new ones after two disassembling operations. The special arm fixing system helps ensure optimal mechanical stability only after the first two refitting operations, provided that the specified tightening torque is observed.



We recommend therefore that you have any operations involving the removal of the windshield wiper arms performed by your Authorized Maserati Dealer.

Some simple measures may reduce the possibility of damage to the blades.

- In the case of temperatures below 32°F (0 °C), check that ice has not stuck the rubber part against the windshield glass. If necessary, release with an anti-ice product.
- Remove any snow on the windshield: in addition to protecting the blades, this avoids forcing and overheating the electric motor.
- Do not activate the windshield wipers when the windshield is dry.

Spray nozzles

If the jet does not work, first check that there is fluid in the pan (see “Level checks” in this section) then check that the nozzles are not clogged.

Replacing the wiper blades

Due to the difficulty of this operation, we recommend that you contact your **Authorized Maserati Dealer** for replacement.



Air conditioning system

During the winter, the air conditioning system should be operated at least once a month for about 10 minutes.

Before the summer season, have the system efficiency checked by your **Authorized Maserati Dealer**.

WARNING: The system uses R134a type coolant that, in the event of accidental leakage, is not harmful for the environment. Under no circumstances should you use R12 fluid that, in addition to being incompatible with the system components, contains chloro-fluoro-carbons (CFCs).

Bodywork

Protection from atmospheric agents

The main causes of the corrosion phenomena are:

- atmospheric pollution
- salinity and humidity in the atmosphere (sea areas or humid climate)
- seasonal environmental conditions.
- salt scattered on the road surface to melt ice and snow.

The abrasive action of atmospheric dust and wind-carried sand, mud and stones should not be underestimated.

On your vehicle, MASERATI has adopted the best technological solutions to protect the bodywork from corrosion.

The main measures are:

- Paint products and systems that provide the vehicle with high-resistance features against corrosion and abrasion.
- Use of galvanized (or pre-treated) metal sheets whose most exposed parts are highly resistant against corrosion.
- Spraying of the underbody, engine compartment, internal part of the wheelhouse and of other

parts using highly protective wax products.

- Spraying of the plastic material most exposed parts with protective function: under the doors, inside of the fenders, edges, etc.
- Use of ventilated box sections treated with wax products, to prevent water condensation and pooling, which may lead to the internal formation of rust.

Tips for keeping the bodywork in good condition

Paint

Paint does not only have an aesthetic function but also serves to protect the metal sheets. In the event of abrasions or deep scratches, we recommend that you have the necessary touch-ups made immediately, to avoid any rust formation.

Touch-ups do not feature particular difficulties, even on metallic finishes.

For all paint touch-ups, use only genuine products indicated on the label applied on the engine compartment lid.

Normal paint maintenance consists in washing, the frequency of which depends on the conditions of use and of the environment. For example, in areas where there is high atmospheric

pollution or if traveling on roads spread with anti-freeze salt, it is advisable to wash the vehicle more frequently.

WARNING: Detergents pollute water. Therefore the vehicle should be washed in areas equipped for the collection and purification of the fluids used for washing.

WARNING: If you are washing the vehicle with roller brushes, you must protect the edges of the rear, lateral brand symbol with tape, to prevent it from being detached by the revolving brushes.

For correct washing:

- Wet the bodywork with a low-pressure water jet.
- Run a sponge soaked in a neutral detergent solution over the bodywork, remembering to rinse the sponge frequently.
- Thoroughly rinse with water and dry with a jet of air or suede.

When drying, take particular care with the parts that are less visible, such as the door bays, front lid, headlight edges, in which water can be trapped more easily.

You are recommended not to take the vehicle immediately into an enclosed

environment, but leave it in the open air so as to allow the water to evaporate.

Do not wash the vehicle after it has been left in the sun or when the engine compartment lid is hot: the paint gloss could be affected. External plastic parts must be cleaned with the same procedure followed for the normal washing of the vehicle. Avoid, as far as possible, parking the vehicle under trees; the resinous substances that very often drop from the trees give the paint a dull appearance and increase the possibility of originating corrosive processes.

WARNING: Bird droppings must be washed off immediately and thoroughly, since their acidity is particularly corrosive.

WARNING: To provide enhanced protection for the paint, polish the vehicle at regular intervals, with a suitable product leaving a protective film on the paint.

WARNING: If the vehicle is washed using high-pressure water jets or cleaners, it is important that the nozzle of the jet be kept at a distance of at least 15.8 in (40 cm) from the

bodywork to avoid damaging it.

Windows

To clean the windows use special detergents.

Only use clean cloths so as not to scratch the windows or rendering them less transparent.

WARNING: To avoid damaging the elements on the inside of the heated rear window, gently wipe in the same direction as the elements.

WARNING: When cleaning the plastic lenses of the headlights, do not use aromatics (e.g., gasoline) or ketones (e.g., acetone).





Engine compartment

At the end of each winter season, carefully wash the engine compartment, remembering to not direct the jet of water for too long on the ECUs and on the relay and fuse boxes on the right-hand side of the engine compartment (driving direction). To perform this operation, contact your **Authorized Maserati Dealer**.

WARNING: Wash only when the engine is cold and with the ignition key turned to **STOP (OFF)**. After washing, make sure that the various protections (e.g. rubber boots/caps, guards etc.) have not been removed or damaged.

Interiors

WARNING: Do not use alcohol, fuel or solvents to clean the transparent part of the instrument panel.



Do not keep aerosol bottles in the vehicle. Risk of explosion! Aerosol bottles should never be exposed to temperatures above 122°F (50°C). The temperature inside the vehicle when exposed to the sun may easily exceed this value.

Check at regular intervals that there is no water trapped under the mats (e.g., due to drips off shoes, umbrellas etc.) which may cause the metal parts to oxidize.

Cleaning the leather upholstery

- Remove the dried dirt with a slightly damp deerskin or a cloth, without rubbing too hard.
- Remove any liquid or grease stains with a dry absorbent cloth, without rubbing.
- Then run a soft cloth or deerskin damped with water and neutral detergent.
- If the stain persists, use specific products carefully following the instructions for use.

WARNING: Never use alcohol, alcohol-based products or solvents.

Leather upholstery treatment

Have the leather upholstery only treated as provided in the Maintenance Schedule and by your **Authorized Maserati Dealer**, where specially designed products will be used.

Parts in premium quality wood

Remove any dirt with a deerskin leather or damp cloth.

If the vehicle is stored for long periods

If the vehicle is not used for several months, take the following precautions:

- Wash and dry the vehicle thoroughly.
- Store the vehicle in a covered, dry and, if possible, ventilated area.
- Select **P (PARK)**, then turn the key to position **STOP (OFF)**.
- Disconnect the battery (see page 193).
- Check the battery charge condition. This check should be performed every three weeks while the vehicle is stored. Recharge the battery if the load-free voltage is below 12.5 V.
- Check that the electric parking brake is not applied.
- Clean and protect the painted parts applying protective waxes.
- Clean and protect polished metal parts with specific products available on the market.
- Talc the windshield wiper blades and raise them from the windshield.
- Cover the vehicle with a long cloth in transpiring fabric (available at

your **Authorized Maserati Dealer**). Do not use thick plastic sheets, which do not allow the humidity on the vehicle surface to evaporate.


- Inflate the tires up to a pressure which must be 7.25 psi (0.5 bar) higher than the normally prescribed one, and check it at regular intervals.



The tire pressure must be brought back to the prescribed value before reusing the vehicle.

- Do not drain the engine cooling system.

Battery charge status

To avoid problems with ignition and/or the electrical system in general when you are driving, the battery charge status is constantly maintained and guaranteed by the vehicle's recharge circuit; the main component of which is the alternator. This circuit is only able to supply voltage to the battery when the vehicle is traveling. The warning light  (see page 66), located on the instrument panel, will indicate any malfunctions in the recharge circuit (solid light) or an insufficient battery charge status (flashing).

The amount of voltage that is supplied to the battery to maintain the charge status also depends on the amount of charge absorbed by the systems used in the vehicle, for example: the air conditioning system, the lights, windshield wipers, the audio system etc. In addition to this, even the traffic conditions you are driving in can influence the amount of charge produced: if, for example, you are traveling on the highway, the alternator supplies more voltage to the battery, while in heavy traffic, where the vehicle is continually stopping and starting, the alternator provides less charge. This also applies for the amount of electrical charge stored in the battery to power other electrical devices while the vehicle is traveling. The vehicle is fitted with advanced electronic systems, such as, for example, the anti-theft system and various electronic control modules, which consume power even when the ignition switch is in the **STOP** position and the vehicle is not being used. Therefore, it is fundamental that the battery is properly charged to ensure that the engine starts properly and that all the electrical/electronic systems in the vehicle work efficiently.



Maintaining battery charge

When the vehicle is not going to be used for one week or more (or if you travel approximately 10 mi / 16 km) per day and/or 3700 mi / 6000 km per year), Maserati recommends connecting the battery to a battery charger, to save you the trouble of having to recharge the battery. The battery charger will keep the battery charged properly and at the correct voltage levels required by the systems and devices in the car. Before using and/or connecting the battery charger, carefully follow the instructions provided.

If you do not use a battery charger to prevent the battery from going flat when you are not going to use the vehicle for long periods of time, you need to check and recharge the battery at least once every three weeks (or if you travel approximately 10 mi / 16 km) per day and/or 3700 mi / 6000 km per year). Please note that allowing the battery to go flat repeatedly can cause premature wear on the internal cells and greatly reduce their life, leading to problems with the ignition system and other electrical/ electronic systems.

Your **Authorized Maserati Dealer** is available to advise you on how to recharge you battery correctly and give you useful information on battery care and maintenance.



The process of charging or recharging the battery produces hydrogen, a dangerous gas that can explode and cause serious personal harm or even death.

When charging or recharging the battery, follow the recommended precautions at all times:

- **always charge or recharge the battery in a well-ventilated environment;**
- **never charge or recharge a battery that has frozen: it can explode due to hydrogen trapped inside the ice crystals;**
- **ensure that any sparks or open flames are kept well away from the battery while it is charging;**
- **before using a charger to charge or maintain the battery charge status, carefully follow the instructions provided to ensure the charger is connected to the battery safely and correctly.**

Restarting the vehicle

Before restarting the vehicle after a long period of inactivity, we recommend that you perform the following operations:



Check the tire pressure and that there are no damage, cuts or cracks on the tires. If this is the case, have them replaced.

- Do not dry-dust the exterior of the vehicle.
- Visually inspect if there are any fluid leaks (e.g., oil, brake and clutch fluid, engine coolant etc.).
- Have the engine oil and filter replaced.
- Check the fluid levels in the braking system, as well as the engine coolant level.
- Check the air filter and replace it if necessary.
- Check the conditions of the engine belts.
- Reconnect the battery after having checked its charge condition and perform the initialization procedures where required. In this regard, consult the paragraph "Reconnecting the battery" in this chapter.



- With the gearshift in neutral (N), let the engine idle for several minutes.



This operation must be performed outdoors. Exhaust gases contain carbon monoxide which is strongly toxic and potentially lethal.

Reconnecting the battery

- Connect the battery.
- Unlock and lock the doors using the remote control.
- Check that the seats are working properly: in the event of malfunctioning, perform the “initialization” procedures specified in the chapter “Seats” contained in the section “Before you drive”.
- Initialize the climate control system by activating the compressor, as described in the chapter “Air conditioning” in the section “Before you drive”.
- Turn on the Multi Media System and adjust the system date and time setting following the instructions given in the chapter “Configuration” in the “Multi Media System” manual.

WARNING: Each time the battery is reconnected, wait at least 30 seconds with the ignition key in position **MAR (ON)** before starting the engine. This enables the electronic system that controls the motor-driven valves to perform a self-learning procedure. The “Multi Media System” setting procedure can be performed at the same time.

WARNING: Each time the battery is reconnected, the **PARK** and **BRAKE** warning lights flash for about 10 seconds and then go off.



**California Proposition 65
Warning**

**THIS MOTOR VEHICLE CONTAINS
CHEMICALS KNOWN TO THE
STATE OF CALIFORNIA TO CAUSE
CANCER, BIRTH DEFECTS OR OTHER
REPRODUCTIVE HARM (see page 7)**



Conversion table

<i>Distance</i>					
1 km	=	0.6214 mi	1 mi	=	1.609 km
1 m	=	3.2808 ft	1 ft	=	0.3048 m
1 m	=	1.0936 yd	1 yd	=	0.9144 m
1 cm	=	0.3937 in	1 in	=	2.54 cm
<i>Volume</i>					
1 l	=	0.2642 US gallon	1 US gallon	=	3.785 l
<i>Weight</i>					
1 kg	=	2.2046 lb	1 lb	=	0.4536 kg
<i>Power</i>					
1 kW	=	1.341 hp	1 hp	=	0.746 kW
<i>Pressure</i>					
1 bar	=	14.5 psi	1 psi	=	0.0689 bar
<i>Consumptions</i>					
1 km/l	=	0.4251 mpg	1 mpg	=	2.3524 km/l



Table of contents

Table of contents	232
Alphabetical contents	236



Table of contents

<i>Historical info</i>	4	Active and passive safety	23	<i>Low tire pressure conditions</i>	49
<i>Introduction</i>	7	<i>Seat belts</i>	24	<i>Tire pressure checkup</i>	50
<i>Consulting the manual</i>	7	<i>Fastening the seat belts</i>	24	<i>Low tire inflation pressure –</i>	
<i>Abbreviations</i>	7	<i>Adjusting the front seat belts</i>	25	<i>Punctured tire</i>	50
<i>Updating</i>	8	<i>height (front seats only)</i>	25	<i>System not calibrated</i>	51
<i>Service</i>	8	<i>Using the rear seat belts</i>	25	<i>Tire pressure monitoring system</i>	
<i>Automatic Gearbox</i>	8	<i>Load limiting devices</i>	26	<i>failure</i>	51
<i>NHTSA's Toll-free Hotline</i>	8	<i>Pretensioners</i>	26	<i>Parking sensors</i>	52
<i>Multi Media System</i>	9	<i>General warnings for using the</i>		<i>Rear four-sensor system</i>	
<i>Towing with the vehicle</i>	9	<i>seat belts</i>	27	<i>activation/deactivation</i>	52
<i>Maserati Roadside Assistance</i>		<i>Maintaining the seat belts</i>	28	<i>Stop & Go function</i>	52
<i>Program</i>	9	<i>Proper transport of children</i>	29	<i>Eight-sensor system with Stop &</i>	
<i>Emergency roadside services</i>	9	<i>Latch system</i>	33	<i>Go Function activated</i>	53
<i>Information needed for when</i>		<i>Fitting the Latch system child</i>		<i>Eight-sensor system with Stop &</i>	
<i>you call</i>	9	<i>seat in rearward-facing position</i>	34	<i>Go function deactivated</i>	53
<i>Summary of program benefits</i>		<i>Transport of persons with</i>		<i>Obstacle signaling</i>	54
<i>and services</i>	9	<i>disability</i>	35	<i>Cleaning the sensors</i>	54
<i>Under this agreement</i>	10	<i>Front airbags</i>	37	<i>Sensor range</i>	55
<i>Address inquiries to:</i>	10	<i>Side airbags</i>	40	<i>Failure indicators</i>	56
<i>Symbols</i>	11	<i>Event Data Recorder (EDR)</i>	41	<i>Fuel cut-off inertia switch</i>	57
<i>Danger symbols</i>	11	<i>General warnings</i>	42	<i>Resetting the switch</i>	57
<i>Warning symbols</i>	11	<i>ESC system</i>	43	Instruments and controls	59
<i>Warning symbols</i>	12	<i>Activation</i>	43	<i>Dashboard</i>	60
<i>Symbols indicating mandatory</i>		<i>Malfunction indicator</i>	43	<i>Instrument panel</i>	65
<i>measures</i>	12	<i>ASR system</i>	44	<i>Controls and warning lights</i>	66
		<i>Activation</i>	44	<i>Warning lights on the display</i>	68
		<i>Malfunction indicators</i>	44	<i>Instruments and gauges</i>	72
		<i>MSR function (engine braking</i>		<i>Fuel gauge</i>	72
		<i>torque adjustment)</i>	44	<i>Speedometer</i>	72
Vehicle identification data	15	<i>ABS, EBD, HBA and BOS systems</i>	45	<i>Tachometer</i>	72
<i>Identification plates</i>	16	<i>TPMS – Tire Pressure Monitoring</i>		<i>Coolant thermometer</i>	73
<i>Chassis marking</i>	16	<i>System</i>	47	<i>Display</i>	73
<i>Engine marking</i>	16	<i>System calibration</i>	48	<i>Controls</i>	74
<i>Homologation labels</i>	17	<i>Viewing messages on the display</i>	48		
<i>Instruction labels</i>	19	<i>Normal conditions</i>	49		
<i>Key codes</i>	21				



<i>Multi Media System</i>		<i>Keys</i>	97	<i>Adjusting the electric steering</i>	
<i>Configuration Menu</i>	76	<i>The Maserati CODE system</i>	97	<i>wheel</i>	111
Controls	77	<i>Operation</i>	97	External lights and direction	
<i>Controls to the left of the steering wheel</i>		<i>Duplicating the keys</i>	98	<i>indicators</i>	112
<i>Dashboard buttons</i>	77	<i>Emergency starting</i>	98	<i>Light switch</i>	112
<i>Roof panel buttons</i>	81	<i>Ignition switch</i>	100	<i>DRL</i>	112
Internal equipment	82	<i>Electronic alarm system device</i>	101	<i>Parking lights</i>	113
<i>Front dome light</i>	82	<i>Activation</i>	101	<i>Automatic activation/</i>	
<i>Rear dome light</i>	82	<i>Deactivation</i>	102	<i>deactivation</i>	113
<i>Clothing hook</i>	82	<i>Getting into the vehicle when the alarm system is on</i>	102	<i>Twilight sensor</i>	114
<i>Sun visors</i>	83	<i>Deactivating the motion sensing alarm</i>	103	<i>Direction indicators</i>	114
<i>Clock</i>	83	<i>Deactivating the anti-theft alarm</i>	103	<i>High beams</i>	114
<i>Front ashtray and cigarette lighter</i>	83	<i>Alarm memory</i>	103	<i>“Follow me home” function</i>	115
<i>Front and rear beverage holders on center console</i>	84	<i>Ordering extra remote keys</i>	103	Windshield wipers/washer and headlight washers	116
<i>Glove compartment</i>	84	<i>Replacing remote operated control battery</i>	104	<i>Windshield wiper</i>	116
<i>Pocket-change compartment</i>	84	<i>Front seats</i>	105	<i>Windshield washer</i>	116
<i>HomeLink</i>	85	<i>Height adjustment</i>	105	<i>Headlight washers</i>	116
Before you drive	89	<i>Seat angle adjustment</i>	105	<i>Rain sensor</i>	117
Doors	90	<i>Lumbar support adjustment</i>	105	<i>Sensor failure</i>	117
<i>Opening from the outside</i>	90	<i>Seatback tilt</i>	106	Multi Media System	118
<i>Opening from the inside</i>	91	<i>Heating system</i>	106	Controls	119
<i>Door open warning lights</i>	91	Rear seats	108	<i>Radio</i>	120
<i>Door lock ECU initialization</i>	92	<i>Headrest</i>	108	<i>CD, MP3 and Jukebox</i>	120
<i>Door open indicator</i>	92	<i>Armrest</i>	108	<i>AUX module*</i>	120
<i>Buzzer</i>	92	Rear-view mirrors	109	<i>USB Socket*</i>	121
<i>Door courtesy light</i>	92	<i>Electrochromic external rear-view mirrors</i>	109	<i>iPod Connection*</i>	121
Power windows	93	<i>Electrochromic internal rear-view mirror</i>	110	<i>Onboard Trip computer</i>	121
Engine compartment lid	94	Steering wheel	111	<i>Bluetooth® function</i>	122
Luggage compartment	94			<i>Navigator</i>	122
Fuel tank door	96			Air conditioning	123
<i>Fuel tank door emergency opening</i>	96			<i>Automatic air conditioning system control</i>	125
				<i>General</i>	126
				<i>System initialization</i>	128



<i>Bose® Surround Sound System</i>	129	<i>Headlights</i>	156	In an emergency	173
Using the vehicle	131	<i>Bi-xenon headlights</i>	156	<i>Emergency starting</i>	174
<i>Starting the engine</i>	132	<i>Driving conditions</i>	157	<i>Toolkit</i>	175
<i>Starting-off when the engine is cold</i>	132	<i>Before a trip</i>	157	<i>If a tire is punctured</i>	175
<i>Emergency starting with auxiliary battery</i>	132	<i>Capacities</i>	157	<i>If an exterior light turns off</i>	176
<i>Turning off the engine</i>	133	<i>Proper driving</i>	157	<i>Front light clusters</i>	176
<i>Electronic automatic gearbox</i>	134	<i>Before you drive</i>	157	<i>Rear light clusters</i>	176
<i>Automatic operation (AUTO)</i>	137	<i>While driving</i>	158	<i>Direction indicator lights</i>	177
<i>Other system functions</i>	140	<i>Driving at night</i>	159	<i>Third stop light</i>	178
<i>Malfunction indication</i>	143	<i>Driving in the rain</i>	159	<i>License plate lights</i>	178
<i>Push start</i>	144	<i>Driving in the rain</i>	159	<i>If an interior light goes out</i>	179
<i>Towing the vehicle</i>	144	<i>Driving in fog</i>	160	<i>Front and rear dome light</i>	179
<i>Gearshift paddles on the steering wheel</i>	145	<i>Driving in the mountains</i>	160	<i>Courtesy mirror light</i>	179
<i>Fuel economy</i>	146	<i>Driving on snow or ice</i>	160	<i>Glove compartment, pocket-change compartment and luggage compartment lights</i>	180
<i>Using the brakes</i>	147	<i>Emission control devices</i>	161	<i>Courtesy lights (below door)</i>	181
<i>Using the engine</i>	148	<i>Other tips</i>	162	<i>If a fuse blows</i>	182
<i>Running-in</i>	148	<i>Parking</i>	163	<i>Replacing the fuses</i>	182
<i>Engine and transmission</i>	148	<i>Electric parking brake</i>	163	<i>Position of fuses/relays</i>	182
<i>While driving</i>	148	<i>Tires</i>	166	<i>Fuse colors</i>	182
<i>Cruise Control</i>	150	<i>Glossary of tire terminology</i>	166	<i>Maxi Fuse colors</i>	182
<i>General</i>	150	<i>Tire identification number:</i>	167	<i>Fuses and relays inside the engine compartment</i>	183
<i>Controls</i>	150	<i>DOT quality grades</i>	167	<i>Fuses and relays in the passenger compartment, to the left of the steering wheel</i>	187
<i>Storing a speed</i>	151	<i>Tread wear</i>	167	<i>Relay/fuse boxes inside the luggage compartment</i>	190
<i>Resuming the speed stored</i>	151	<i>Traction</i>	167	<i>If the battery is dead</i>	193
<i>Increasing the speed stored</i>	151	<i>Temperature</i>	168	<i>Starting with an auxiliary battery</i>	193
<i>Decreasing the speed stored</i>	152	<i>Other tire markings</i>	168	<i>Recharging the battery</i>	193
<i>Resetting the speed stored</i>	152	<i>Tire placard/label</i>	168	<i>If you have to jack up the vehicle</i>	194
<i>Skyhook suspension</i>	153	<i>Importance of proper inflation pressure</i>	169	<i>Using the jack</i>	194
<i>Self-diagnostics</i>	153	<i>Tire care</i>	170		
<i>Calibration selection</i>	154	<i>Vehicle load limits:</i>	170		
<i>Malfunction indicators</i>	155	<i>Winter tires</i>	170		
		<i>Snow chains</i>	171		
		<i>Useful accessories to keep in the vehicle</i>	172		

<i>If you have to tow the vehicle</i>	195	<i>Tire pressure</i>	208	<i>Engine compartment</i>	226
<i>In the event of an accident</i>	196	Maintenance	209	<i>Interiors</i>	226
<i>If there are injured persons</i>	196	<i>Maintenance Schedule</i>	210	<i>Cleaning the leather upholstery</i>	226
Capacities and technical specifications	197	<i>After the 12th maintenance service</i>	210	<i>Leather upholstery treatment</i>	226
<i>Fuel Requirements</i>	198	<i>Additional checks</i>	212	<i>Parts in premium quality wood</i>	226
<i>Octane Rating</i>	198	<i>WARNING - Engine oil</i>	212	<i>If the vehicle is stored for long periods</i>	227
<i>Unleaded Fuel</i>	198	<i>WARNING - Air filter</i>	212	<i>Battery charge status</i>	227
<i>Gasoline Containing Alcohol & Ethers ("Oxygenated Fuels"):</i>	198	<i>Level checks</i>	213	<i>Maintaining battery charge</i>	228
<i>Engine oil</i>	199	<i>Engine oil</i>	214	<i>Restarting the vehicle</i>	228
<i>Fuel consumption</i>	199	<i>Gearbox oil</i>	215	<i>Reconnecting the battery</i>	229
<i>Fuel consumption (m.p.g. (USA))</i>	199	<i>Engine coolant</i>	215	<i>Conversion table</i>	230
<i>Capacities: Quantity and specifications of the products to use</i>	200	<i>Windshield/headlight washer fluid</i>	215	Table of contents	231
<i>Capacities and recommended products (*)</i>	200	<i>Power steering fluid</i>	216	<i>Table of contents</i>	232
<i>Technical specifications</i>	202	<i>Brake fluid</i>	216	<i>Alphabetical contents</i>	236
<i>Engine</i>	202	<i>Air filter</i>	217	<i>Details to be recorded</i>	241
<i>Injection – Ignition</i>	202	<i>Dust/pollen filter</i>	217		
<i>Battery</i>	202	<i>Battery</i>	217		
<i>Electric alternator</i>	202	<i>Useful hints for helping to extend the life of the battery</i>	218		
<i>Lubrication system</i>	203	<i>Electronic control units</i>	220		
<i>Cooling system</i>	203	<i>Spark plugs</i>	221		
<i>Transmission</i>	203	<i>Wheels and tires</i>	221		
<i>Brakes</i>	204	<i>How to use the tires</i>	221		
<i>Suspension:</i>	204	<i>Windshield wipers</i>	223		
<i>Speed-sensitive steering wheel</i>	204	<i>Spray nozzles</i>	223		
<i>Wheels</i>	205	<i>Replacing the wiper blades</i>	223		
<i>Performance</i>	206	<i>Air conditioning system</i>	224		
<i>Weights</i>	206	<i>Bodywork</i>	224		
<i>Dimensions</i>	207	<i>Protection from atmospheric agents</i>	224		
		<i>Tips for keeping the bodywork in good condition</i>	224		





Alphabetical contents

A			
Abbreviations	7	Battery charge status	227
ABS, EBD, HBA and BOS systems	45	Before a trip	157
Activation	43	Before you drive	89
Activation	44	Before you drive	157
Activation	101	Bi-xenon headlights	156
Active and passive safety	23	Bluetooth® function	122
Additional checks	212	Bodywork	224
Address inquiries to:	10	Bose® Surround Sound System	129
Adjusting the electric steering wheel	111	Brake fluid	216
Adjusting the front seat belts height (front seats only)	25	Brakes	204
After the 12 th maintenance service	210	Buzzer	92
Air conditioning	123	C	
Air conditioning system	224	Calibration selection	154
Air filter	217	Capacities	157
Alarm memory	103	Capacities and recommended products (*)	200
Alphabetical contents	236	Capacities and technical specifications	197
Armrest	108	Capacities: Quantity and specifications of the products to use	200
ASR system	44	CD, MP3 and Jukebox	120
Automatic activation/deactivation	113	Chassis marking	16
Automatic air conditioning system control	125	Cleaning the leather upholstery	226
Automatic Gearbox	8	Cleaning the sensors	54
Automatic operation (AUTO)	137	Clock	83
AUX module*	120	Clothing hook	82
		Consulting the manual	7
		Controls	74
		Controls	77
		Controls	119
		Controls	150
		Controls and warning lights	66
B		Controls to the left of the steering wheel	77
Battery	202	Conversion table	230
Battery	217	Coolant thermometer	73
		Cooling system	203
		Courtesy lights (below door)	181
		Courtesy mirror light	179
		Cruise Control	150
		D	
		Danger symbols	11
		Dashboard	60
		Dashboard buttons	79
		Deactivating the anti-theft alarm	103
		Deactivating the motion sensing alarm	103
		Deactivation	102
		Decreasing the speed stored	152
		Details to be recorded	241
		Dimensions	207
		Direction indicator lights	177
		Direction indicators	114
		Display	73
		Door courtesy light	92
		Door lock ECU initialization	92
		Door open indicator	92
		Door open warning lights	91
		Doors	90
		DOT quality grades	167
		Driving at night	159
		Driving conditions	157
		Driving in fog	159
		Driving in the mountains	160
		Driving in the rain	159

<i>Driving on snow or ice</i>	160
<i>DRL</i>	112
<i>Duplicating the keys</i>	98
<i>Dust/pollen filter</i>	217

E

<i>Eight-sensor system with Stop & Go Function activated</i>	53
<i>Eight-sensor system with Stop & Go function deactivated</i>	53
<i>Electric alternator</i>	202
<i>Electric parking brake</i>	163
<i>Electrochromic external rear-view mirrors</i>	109
<i>Electrochromic internal rear-view mirror</i>	110
<i>Electronic alarm system device</i>	101
<i>Electronic automatic gearbox</i>	134
<i>Electronic control units</i>	220
<i>Emergency roadside services</i>	9
<i>Emergency starting</i>	98
<i>Emergency starting</i>	174
<i>Emergency starting with auxiliary battery</i>	132
<i>Emission control devices</i>	161
<i>Engine</i>	202
<i>Engine and transmission</i>	148
<i>Engine compartment</i>	226
<i>Engine compartment lid</i>	94
<i>Engine coolant</i>	215
<i>Engine marking</i>	16
<i>Engine oil</i>	199
<i>Engine oil</i>	214
<i>ESC system</i>	43

<i>Event Data Recorder (EDR)</i>	41
<i>External lights and direction indicators</i>	112

F

<i>Failure indicators</i>	56
<i>Fastening the seat belts</i>	24
<i>Fitting the Latch system child seat in rearward-facing position</i>	34
<i>“Follow me home” function</i>	115
<i>Front airbags</i>	37
<i>Front and rear beverage holders on center console</i>	84
<i>Front and rear dome light</i>	179
<i>Front ashtray and cigarette lighter</i>	83
<i>Front dome light</i>	82
<i>Front light clusters</i>	176
<i>Front seats</i>	105
<i>Fuel consumption</i>	199
<i>Fuel consumption (m.p.g. (USA))</i>	199
<i>Fuel cut-off inertia switch</i>	57
<i>Fuel economy</i>	146
<i>Fuel gauge</i>	72
<i>Fuel Requirements</i>	198
<i>Fuel tank door</i>	96
<i>Fuel tank door emergency opening</i>	96
<i>Fuse colors</i>	182
<i>Fuses and relays inside the engine compartment</i>	183
<i>Fuses and relays in the passenger compartment, to the left of the steering wheel</i>	187

G

<i>Gasoline Containing Alcohol & Ethers (“Oxygenated Fuels”):</i>	198
<i>Gearbox oil</i>	215
<i>Gearshift paddles on the steering wheel</i>	145
<i>General</i>	126
<i>General</i>	150
<i>General warnings</i>	42
<i>General warnings for using the seat belts</i>	27
<i>Getting into the vehicle when the alarm system is on</i>	102
<i>Glossary of tire terminology</i>	166
<i>Glove compartment</i>	84
<i>Glove compartment, pocket-change compartment and luggage compartment lights</i>	180

H

<i>Headlights</i>	156
<i>Headlight washers</i>	116
<i>Headrest</i>	108
<i>Heating system</i>	106
<i>Height adjustment</i>	105
<i>High beams</i>	114
<i>Historical info</i>	4
<i>HomeLink</i>	85
<i>Homologation labels</i>	17
<i>How to use the tires</i>	221





I

Identification plates	16
If a fuse blows	182
If an exterior light turns off	176
If an interior light goes out	179
If a tire is punctured	175
If the battery is dead	193
If there are injured persons	196
If the vehicle is stored for long periods	227
If you have to jack up the vehicle	194
If you have to tow the vehicle	195
Ignition switch	100
Importance of proper inflation pressure	169
In an emergency	173
Increasing the speed stored	151
Information needed for when you call	9
Injection – Ignition	202
Instruction labels	19
Instrument panel	65
Instruments and controls	59
Instruments and gauges	72
Interiors	226
Internal equipment	82
In the event of an accident	196
Introduction	7
iPod Connection*	121

K

Key codes	21
Keys	97

L

Latch system	33
Leather upholstery treatment	226
Level checks	213
License plate lights	178
Light switch	112
Load limiting devices	26
Low tire inflation pressure – Punctured tire	50
Low tire pressure conditions	49
Lubrication system	203
Luggage compartment	94
Lumbar support adjustment	105

M

Maintaining battery charge	228
Maintaining the seat belts	28
Maintenance	209
Maintenance Schedule	210
Malfunction indication	143
Malfunction indicator	43
Malfunction indicators	44
Malfunction indicators	155
Maserati Roadside Assistance Program	9
Maxi Fuse colors	182
MSR function (engine braking torque adjustment)	44
Multi Media System	9
Multi Media System	118
Multi Media System Configuration Menu	76

N

Navigator	122
NHTSA's Toll-free Hotline	8
Normal conditions	49

O

Obstacle signaling	54
Octane Rating	198
Onboard Trip computer	121
Opening from the inside	91
Opening from the outside	90
Operation	97
Ordering extra remote keys	103
Other system functions	140
Other tips	162
Other tire markings	168

P

Parking	163
Parking lights	113
Parking sensors	52
Parts in premium quality wood	226
Performance	206
Pocket-change compartment	84
Position of fuses/relays	182
Power steering fluid	216
Power windows	93
Pretensioners	26
Proper driving	157
Proper transport of children	29
Protection from atmospheric agents	224
Push start	144



R					
Radio	120	Snow chains	171	Tire identification number:	167
Rain sensor	117	Spark plugs	221	Tire placard/label	168
Rear dome light	82	Speedometer	72	Tire pressure	208
Rear four-sensor system activation/deactivation	52	Speed-sensitive steering wheel	204	Tire pressure checkup	50
Rear light clusters	176	Spray nozzles	223	Tire pressure monitoring system failure	51
Rear seats	108	Starting-off when the engine is cold	132	Tires	166
Rear-view mirrors	109	Starting the engine	132	Toolkit	175
Recharging the battery	193	Starting with an auxiliary battery	193	Towing the vehicle	144
Reconnecting the battery	229	Steering wheel	111	Towing with the vehicle	9
Relay/fuse boxes inside the luggage compartment	190	Stop & Go function	52	TPMS – Tire Pressure Monitoring System	47
Replacing remote operated control battery	104	Storing a speed	151	Traction	167
Replacing the fuses	182	Summary of program benefits and services	9	Transmission	203
Replacing the wiper blades	223	Sun visors	83	Transport of persons with disability	35
Resetting the speed stored	152	Suspension:	204	Tread wear	167
Resetting the switch	57	Symbols	11	Turning off the engine	133
Restarting the vehicle	228	Symbols indicating mandatory measures	12	Twilight sensor	114
Resuming the speed stored	151	System calibration	48		
Roof panel buttons	81	System initialization	128	U	
Running-in	148	System not calibrated	51	Under this agreement	10
				Unleaded Fuel	198
S		T		Updating	8
Seat angle adjustment	105	Table of contents	231	USB Socket*	121
Seatback tilt	106	Table of contents	232	Useful accessories to keep in the vehicle	172
Seat belts	24	Tachometer	72	Useful hints for helping to extend the life of the battery	218
Self-diagnostics	153	Technical specifications	202	Using the brakes	147
Sensor failure	117	Temperature	168	Using the engine	148
Sensor range	55	The Maserati CODE system	97	Using the jack	194
Service	8	Third stop light	178	Using the rear seat belts	25
Side airbags	40	Tips for keeping the bodywork in good condition	224	Using the vehicle	131
Skyhook suspension	153	Tire care	170		



V

<i>Vehicle identification data</i>	15
<i>Vehicle load limits:</i>	170
<i>Viewing messages on the display</i>	48

W

<i>WARNING - Air filter</i>	212
<i>WARNING - Engine oil</i>	212
<i>Warning lights on the display</i>	68
<i>Warning symbols</i>	11
<i>Warning symbols</i>	12
<i>Weights</i>	206
<i>Wheels</i>	205
<i>Wheels and tires</i>	221
<i>While driving</i>	148
<i>While driving</i>	158
<i>Windshield/headlight washer fluid</i>	215
<i>Windshield washer</i>	116
<i>Windshield wiper</i>	116
<i>Windshield wipers</i>	223
<i>Windshield wipers/washer and headlight washers</i>	116
<i>Winter tires</i>	170



Owner

Address

Number plate

Vehicle identification data

Engine identification No

Paint identification No

Part number of spare parts

Maserati S.p.A. & Maserati North America, Inc. reserve the right to make changes and/or modifications to the content and all technical information and specifications without prior notification.

Therefore, the user is not entitled to any claims based on the contents (texts, data, illustrations, explanations and regulations) in this manual, which are based on the data known at the time of going to print.

© 2014. Maserati S.p.A. All rights reserved.

Publication no. 86406400 - 1st Edition - 06/2014

This document may not be reproduced, printed or translated, even partially, without the written consent of MASERATI S.p.A.